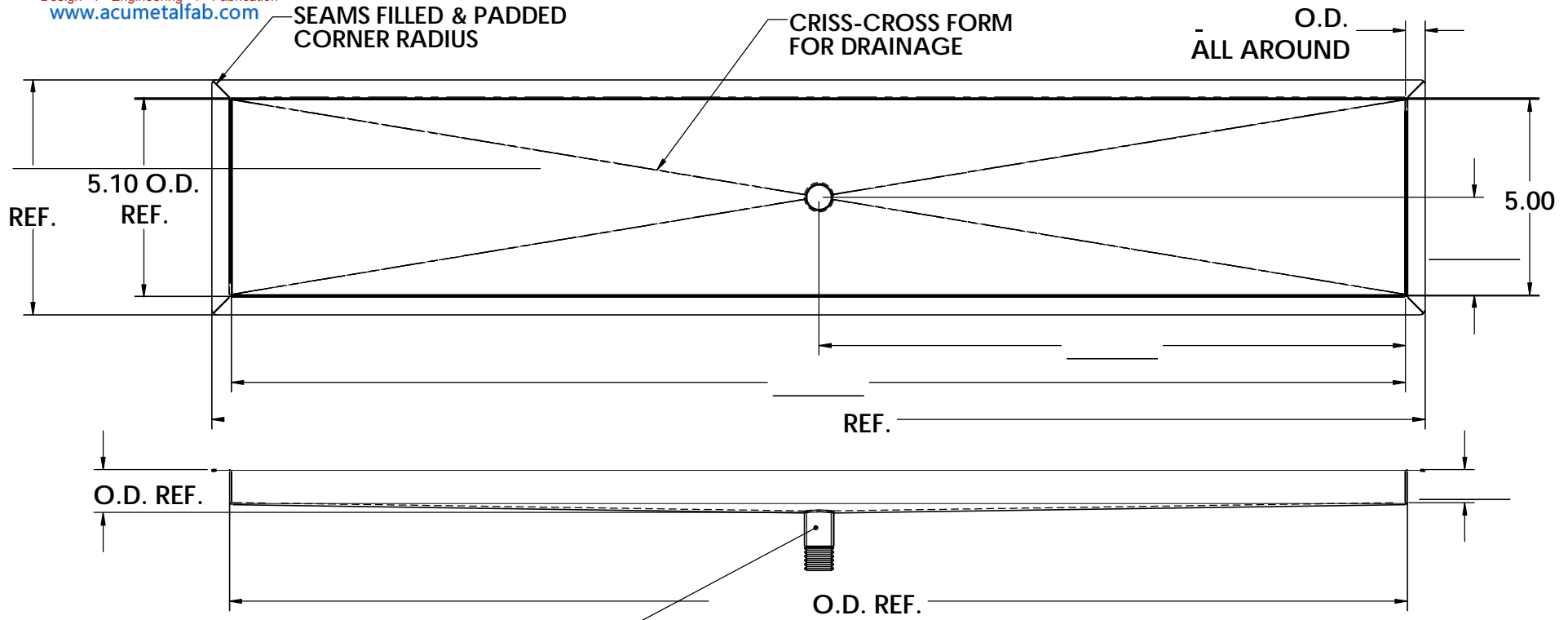


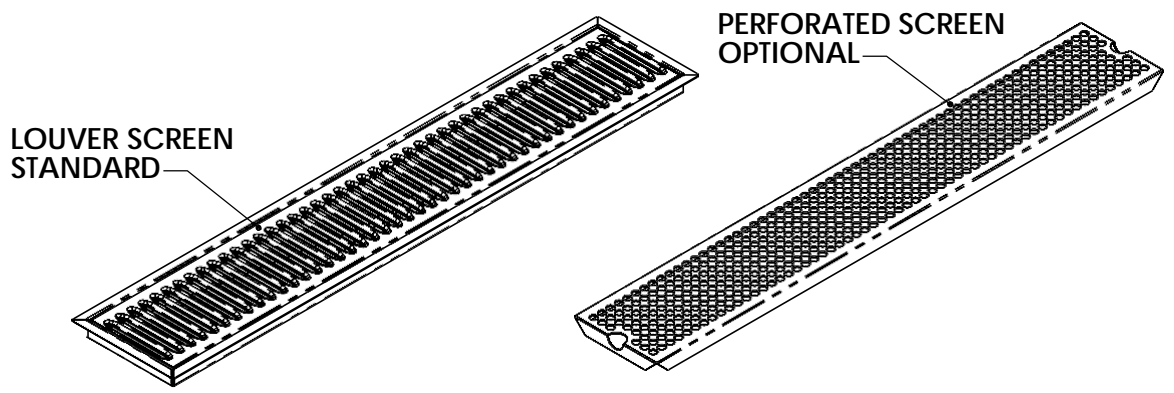
REV. NO.		REVISIONS	DATE	APPROVED
ZONE	REV.	DESCRIPTION		

Please **Fill in** the desired measurements below:



1/2" X 1 1/2" LONG
NPT PIPE THREAD

Please **Circle** the desired screen below:



Please **Circle** the desired options Below:

ALL DIMENSIONS ARE INSIDE DIMENSIONS
UNLESS OTHERWISE NOTED

MATERIAL :

- 18 GAUGE STAINLESS STEEL
- 16 GAUGE STAINLESS STEEL
- 16 GAUGE BRASS

FINISHES :

- #2B SATIN ON ALL TYPES
- #4 BRUSHED ON ALL TYPES
- #8 POLISHED ON ALL TYPES

Proprietary and Confidential
 The Information contained in this drawing is the sole property of ACU Precision Sheet Metal. Any reproduction in part or as a whole without the written permission of ACU Precision Sheet Metal is Prohibited.
 ACU Precision Sheet Metal is:
 American Coffee Urn Manufacturing Co., Inc.

	NAME	DATE
DRAWN	M. Johs	06/14
MATERIAL	SEE NOTES	
FINISH	SEE NOTES	COMMENTS:

TITLE:	FMD 5" FLUSH MOUNT W/ DRAIN CUSTOM 5" DRIP TRAY
AMERICAN COFFEE URN	