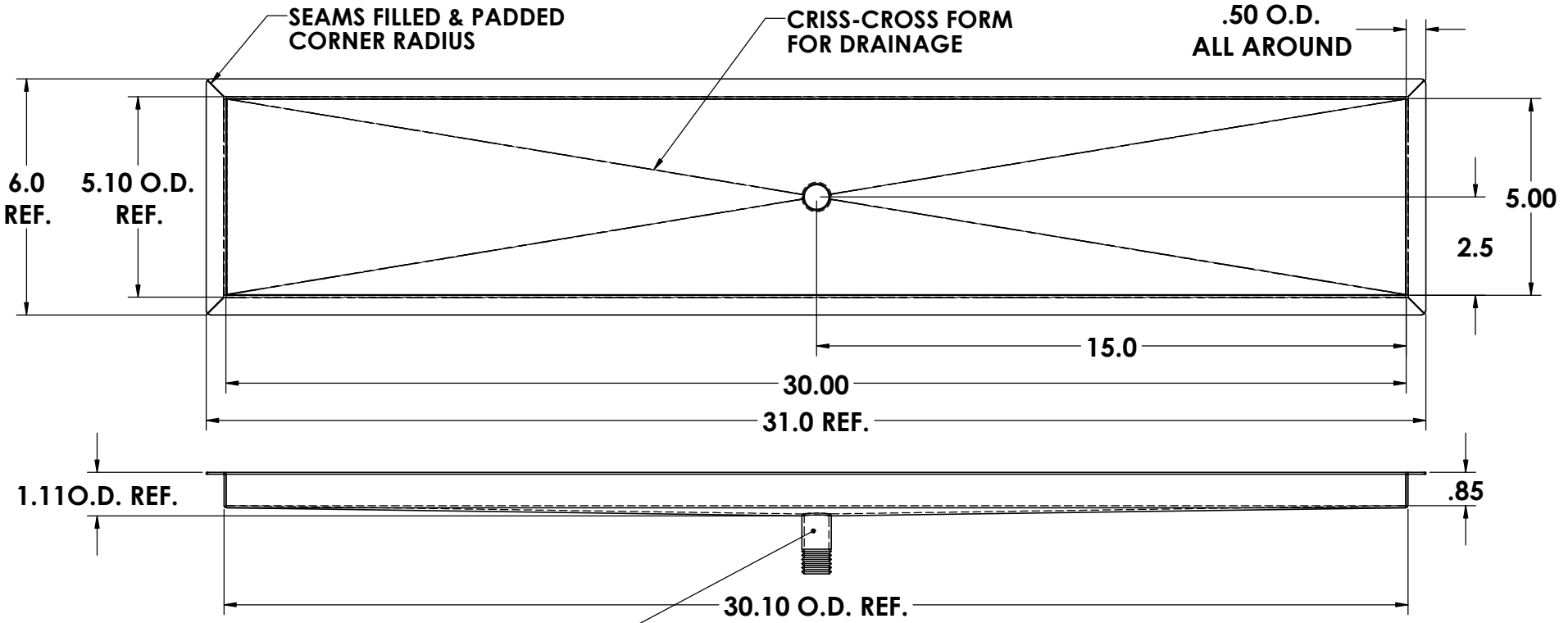
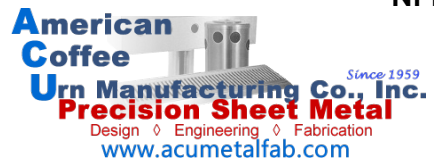


REVISIONS		DATE	APPROVED
ZONE	REV.	DESCRIPTION	



1/2" X 1 1/2" LONG  
NPT PIPE THREAD

Please Circle the desired screen below:



Please Circle the desired options Below:

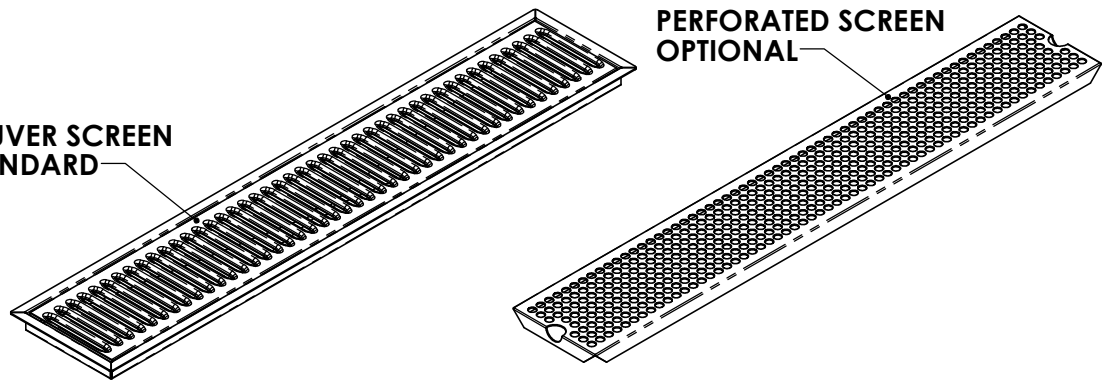
ALL DIMENSIONS ARE INSIDE DIMENSIONS  
UNLESS OTHERWISE NOTED

- MATERIAL :**
- 18 GAUGE STAINLESS STEEL
  - 16 GAUGE STAINLESS STEEL
  - 16 GAUGE BRASS

- FINISHES :**
- #2B SATIN ON ALL TYPES
  - #4 BRUSHED ON ALL TYPES
  - #8 POLISHED ON ALL TYPES

LOUVER SCREEN  
STANDARD

PERFORATED SCREEN  
OPTIONAL



**Proprietary and Confidential**  
The Information contained in this drawing is the sole property of ACU Precision Sheet Metal. Any reproduction in part or as a whole without the written permission of ACU Precision Sheet Metal is Prohibited.  
ACU Precision Sheet Metal is:  
American Coffee Urn Manufacturing Co., Inc.

	NAME	DATE
DRAWN	M. Johs	08/14
MATERIAL	SEE NOTES	
FINISH	SEE NOTES	COMMENTS:

TITLE:	<b>FMD 5" FLUSH MOUNT W/DRAIN 5" DRIP TRAY</b>
	<b>AMERICAN COFFEE URN</b>