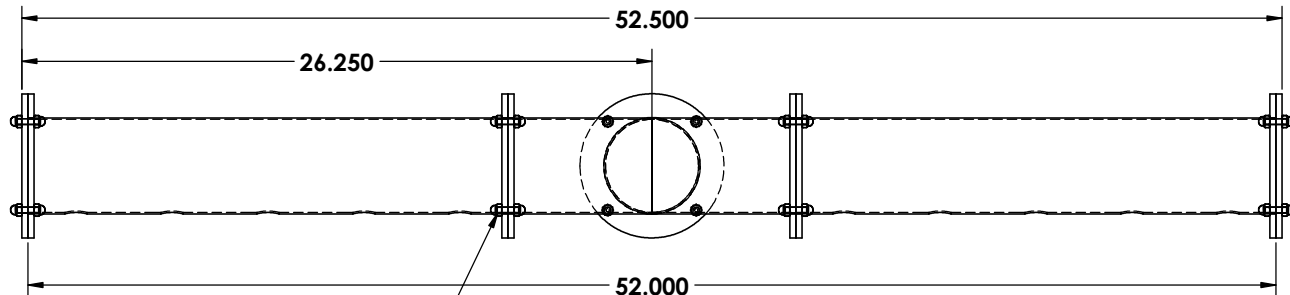


PLEASE FILL IN CORRECT MEASUREMENTS WHERE NEEDED!

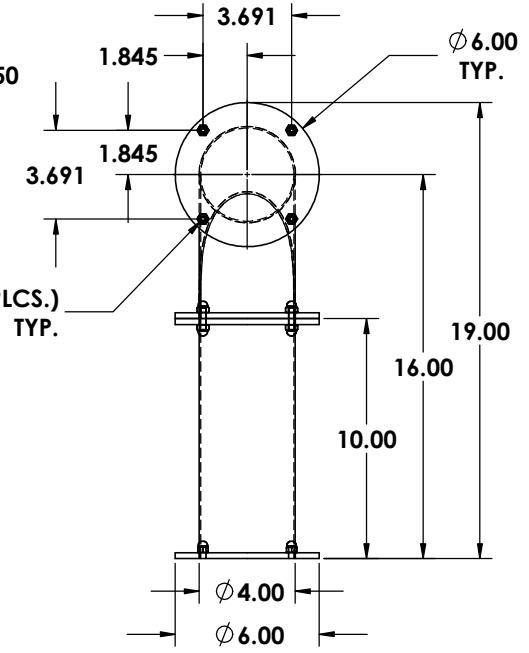
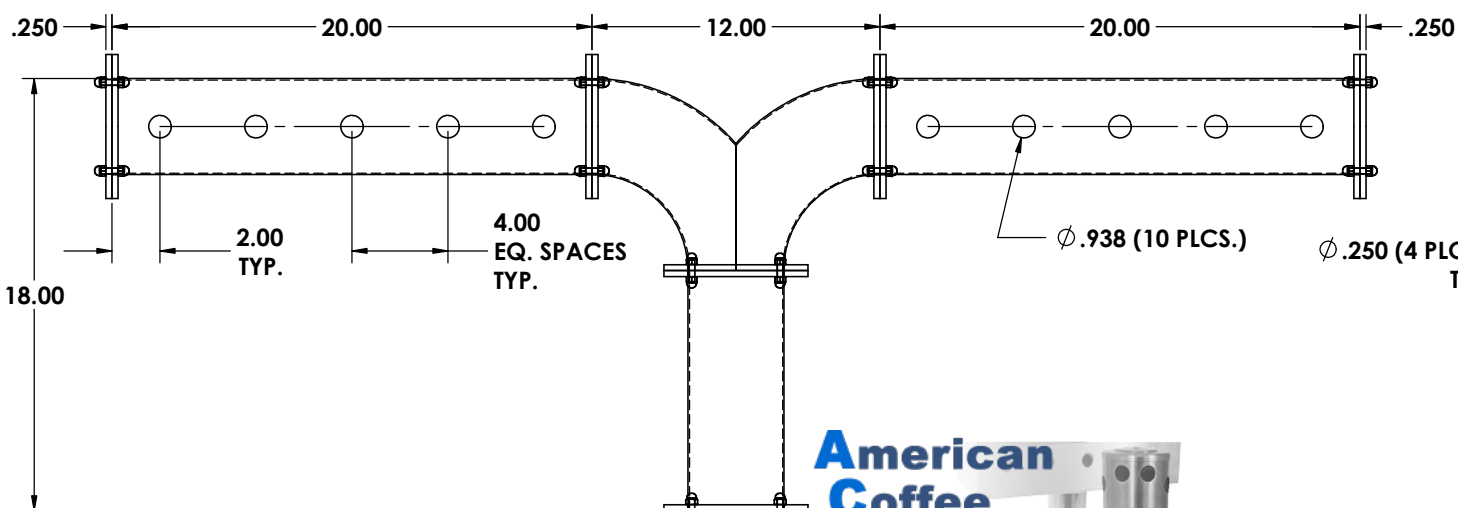
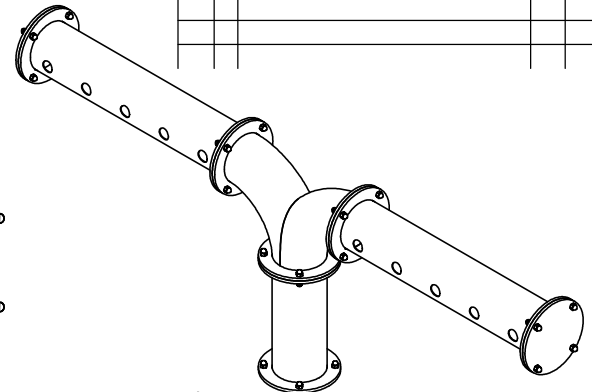
| ZONE | | REV. | DESCRIPTION | DATE | APPROVED |
|------|--|------|-------------|------|----------|
| | | | | | |
| | | | | | |



FLANGES/END CAPS
FASTENED USING
1/4-20 X .938 ALL THREAD &
1/4-20 ACORN NUT (2 X)
AS REQUIRED

STANDARD TOWER MOUNTING USING
1/4-20 X 4.0 ALL THREAD W/
1/4-20 ACORN NUT
AS REQUIRED

OPTIONAL TOWER MOUNTING USING
1/4-20 X 8.0 ALL THREAD W/
1/4-20 ACORN NUT
AS REQUIRED



American Coffee
Urn Manufacturing Co., Inc.
Since 1959
Precision Sheet Metal
Design ◊ Engineering ◊ Fabrication
www.acumetalfab.com

Please **Circle** the desired options Below:

- MATERIAL :**
 4" X .060" WALL STAINLESS STEEL TUBING
 1/4" STAINLESS STEEL PLATE (FLANGE)
- FINISHES :**
 #4 BRUSHED ON ALL TYPES
 #8 POLISHED ON ALL TYPES

Proprietary and Confidential
 The Information contained in this drawing is the sole property of ACU Precision Sheet Metal. Any reproduction in part or as a whole without the written permission of ACU Precision Sheet Metal is Prohibited.
 ACU Precision Sheet Metal is:
 American Coffee Urn Manufacturing Co., Inc.

| | NAME | DATE |
|----------|-----------|-----------|
| DRAWN | M. Johs | 08/14 |
| MATERIAL | SEE NOTES | |
| FINISH | SEE NOTES | COMMENTS: |

| TITLE: |
|--|
| 4" Y-BRIDGE T-TOWER 10 HOLE |
| AMERICAN COFFEE URN |