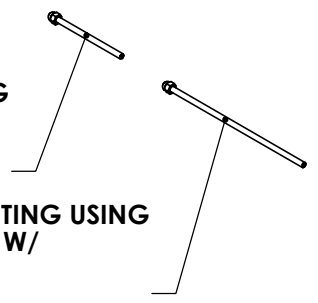
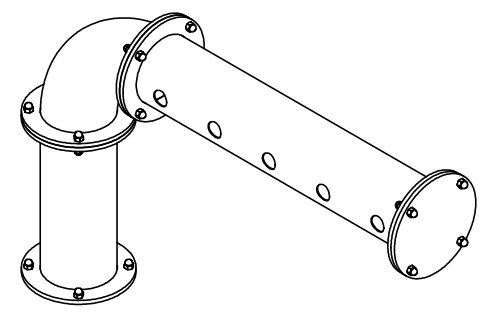
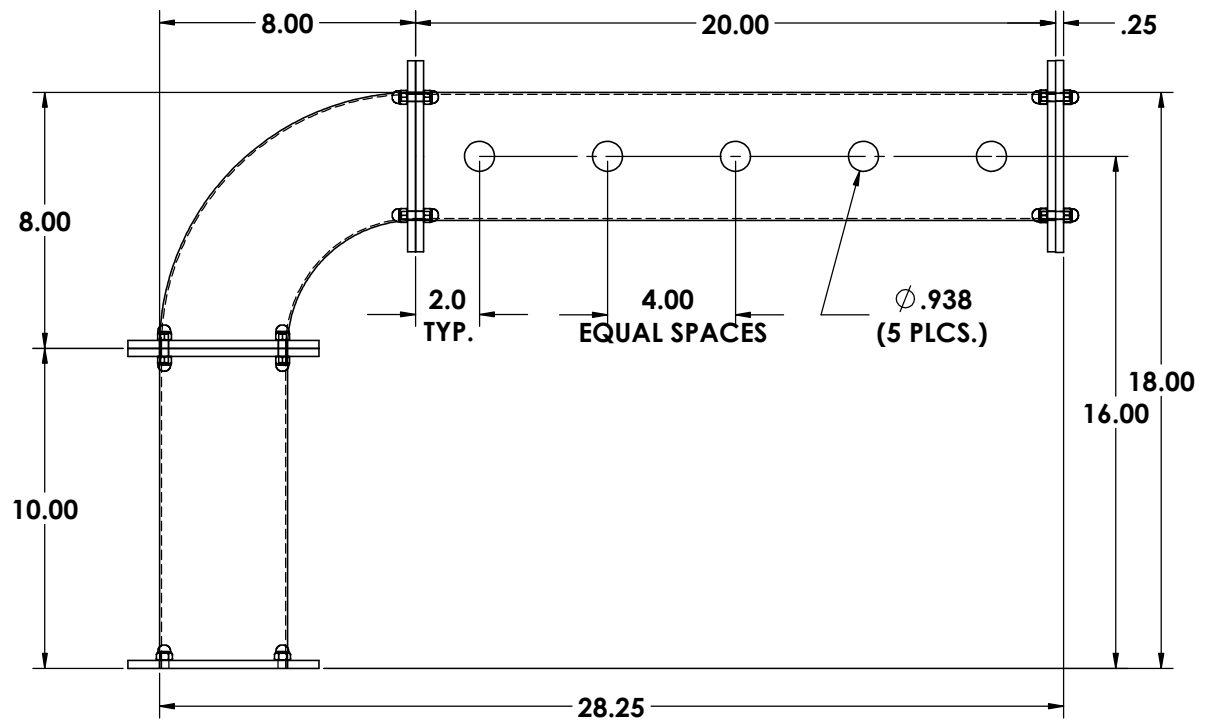
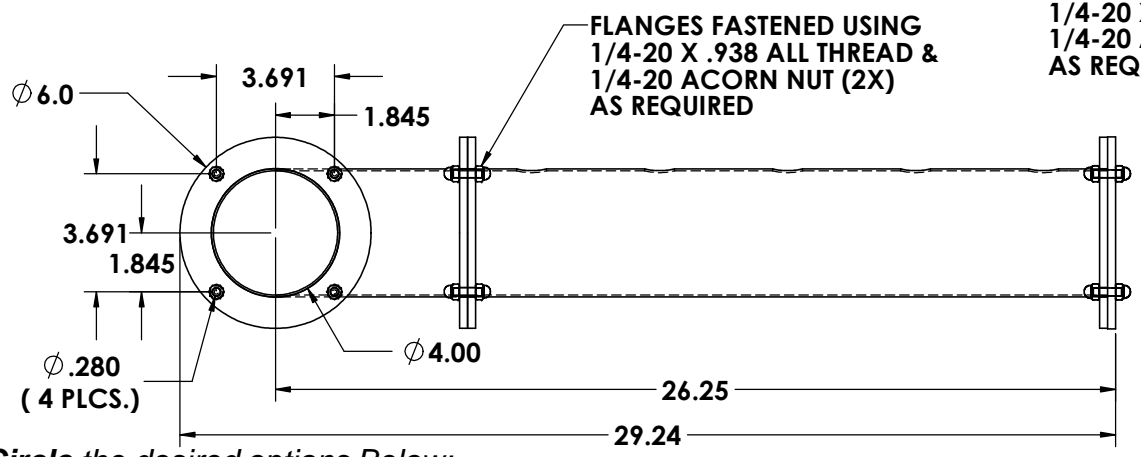


REVISIONS		DATE	APPROVED
ZONE	REV.	DESCRIPTION	



STANDARD TOWER MOUNTING USING  
1/4-20 X 4.0 ALL THREAD W/  
1/4-20 ACORN NUT  
AS REQUIRED

OPTIONAL TOWER MOUNTING USING  
1/4-20 X 8.0 ALL THREAD W/  
1/4-20 ACORN NUT  
AS REQUIRED



Please Circle the desired options Below:

- MATERIAL :**  
4" X .060" WALL STAINLESS STEEL TUBING  
1/4" STAINLESS STEEL PLATE (FLANGE/END CAP)
- FINISHES :**  
#4 BRUSHED ON ALL TYPES  
#8 POLISHED ON ALL TYPES

**Proprietary and Confidential**  
The Information contained in this drawing is the sole property of ACU Precision Sheet Metal. Any reproduction in part or as a whole without the written permission of ACU Precision Sheet Metal is Prohibited.  
ACU Precision Sheet Metal is:  
American Coffee Urn Manufacturing Co., Inc.

	NAME	DATE	TITLE:
DRAWN	M. Johs	08/14	4" BRIDGE FLAG TOWER 5 HOLE
MATERIAL	SEE NOTES		
FINISH	SEE NOTES	COMMENTS:	AMERICAN COFFEE URN
DO NOT SCALE DRAWING			

**American Coffee**  
**Urn Manufacturing Co., Inc.**  
Precision Sheet Metal  
Design ♦ Engineering ♦ Fabrication  
www.acumetalfab.com

Since 1959