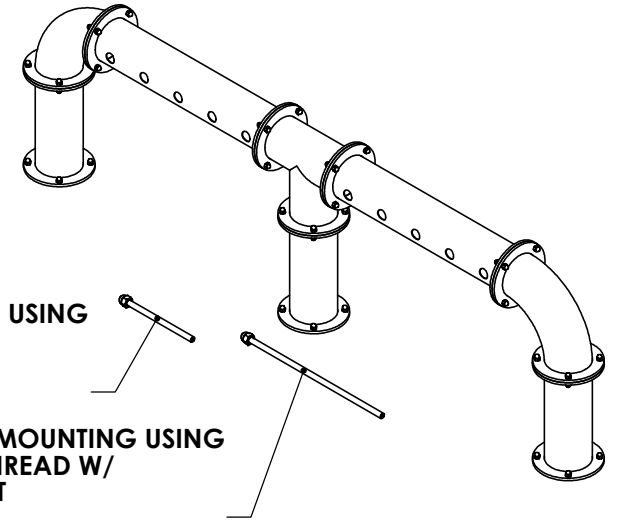
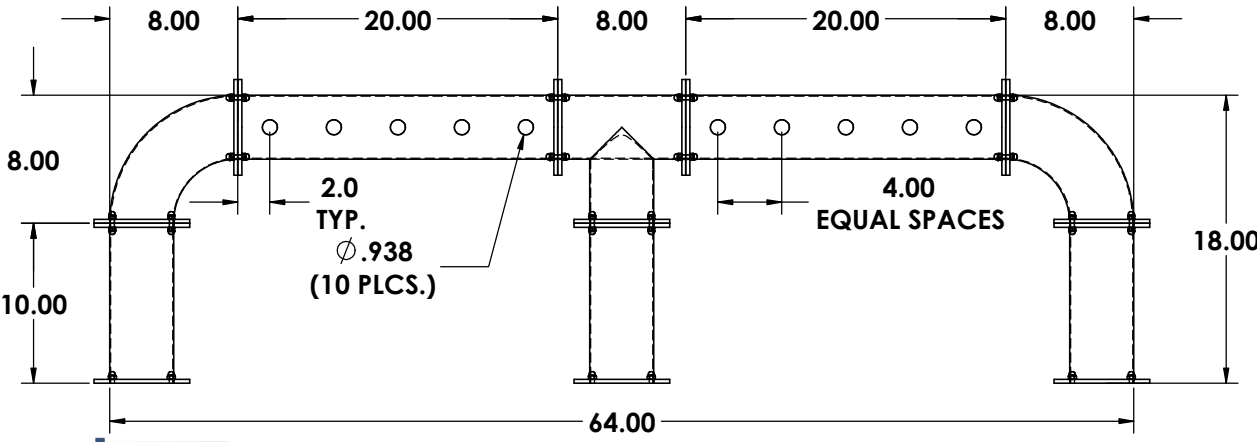
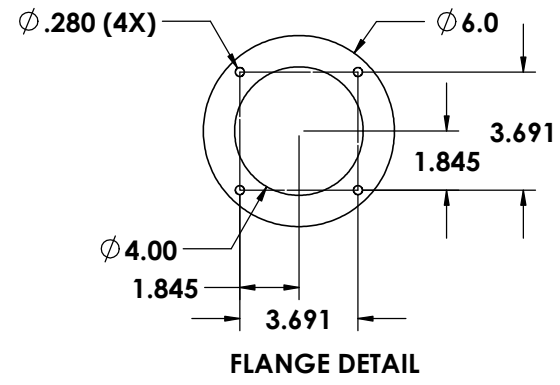
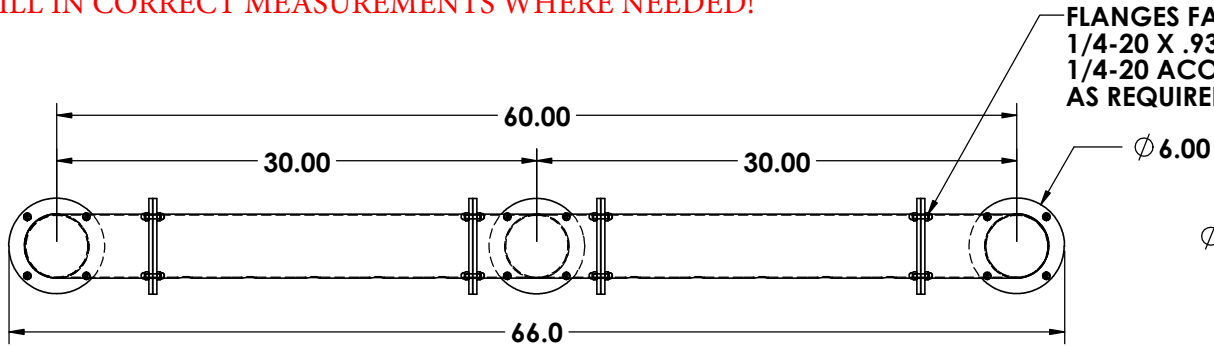


PLEASE FILL IN CORRECT MEASUREMENTS WHERE NEEDED!

REV. NO.		REVISIONS	DATE	APPROVED



STANDARD TOWER MOUNTING USING  
1/4-20 X 4.0 ALL THREAD W/  
1/4-20 ACORN NUT  
AS REQUIRED

OPTIONAL TOWER MOUNTING USING  
1/4-20 X 8.0 ALL THREAD W/  
1/4-20 ACORN NUT  
AS REQUIRED

**American Coffee**  
Urn Manufacturing Co., Inc. *Since 1959*  
**Precision Sheet Metal**  
Design ♦ Engineering ♦ Fabrication  
www.acumetalfab.com

Please **Circle** the desired options Below:

- MATERIAL :**  
4" X .060" WALL STAINLESS STEEL TUBING  
1/4" STAINLESS STEEL PLATE (FLANGE)
- FINISHES :**  
#4 BRUSHED ON ALL TYPES  
#8 POLISHED ON ALL TYPES

<b>Proprietary and Confidential</b> The Information contained in this drawing is the sole property of ACU Precision Sheet Metal. Any reproduction in part or as a whole without the written permission of ACU Precision Sheet Metal is Prohibited. ACU Precision Sheet Metal is: American Coffee Urn Manufacturing Co., Inc.	NAME	DATE	TITLE: <b>4" BRIDGE TOWER W/ CENTER "T" 10 HOLE DOUBLE SECTION</b>	
	DRAWN	M. Johs		08/14
	MATERIAL	SEE NOTES		<b>AMERICAN COFFEE URN</b>
	FINISH	SEE NOTES	COMMENTS:	