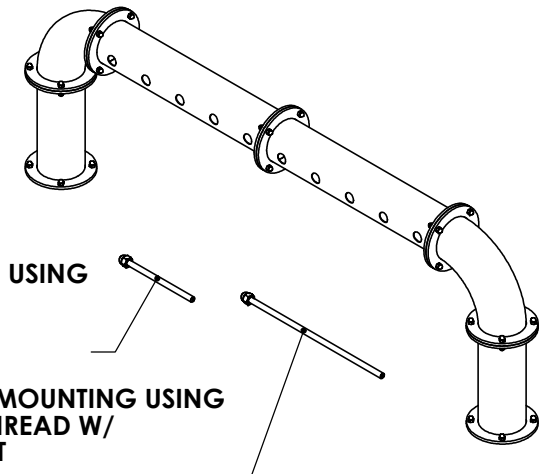
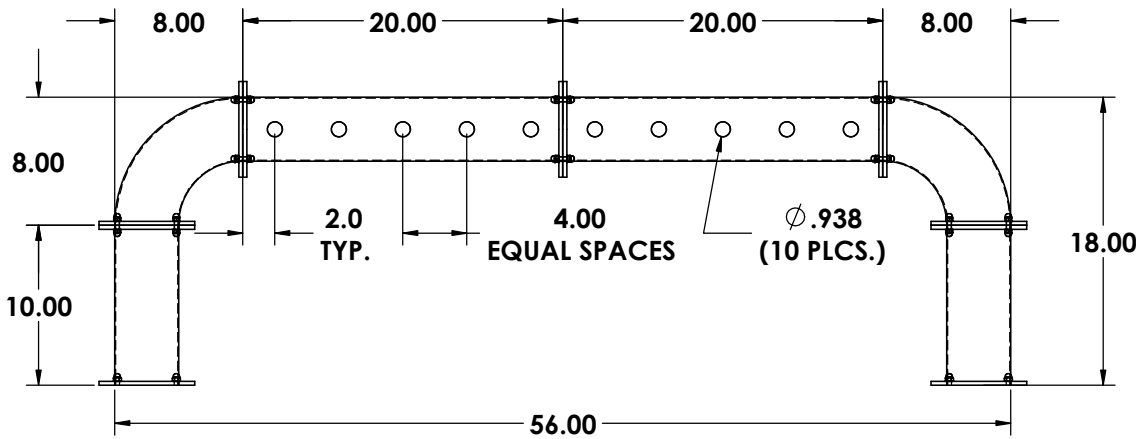
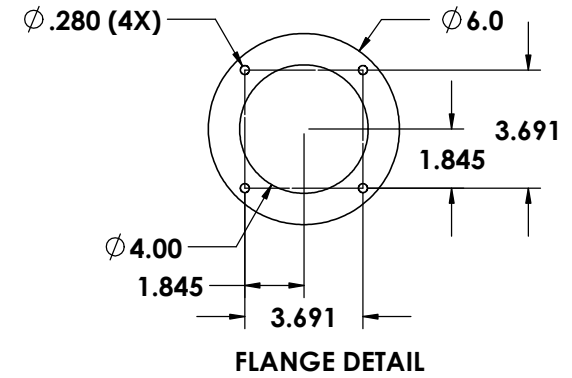
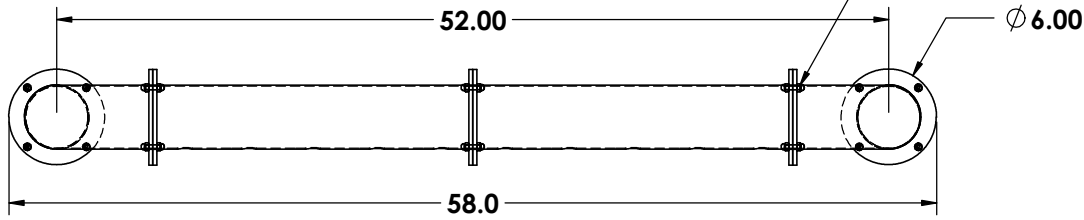


PLEASE FILL IN CORRECT MEASUREMENTS WHERE NEEDED!

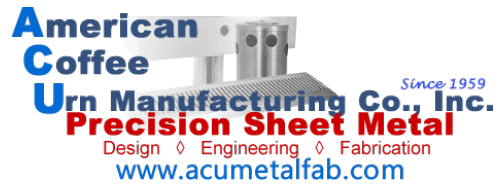
ZONE		REV.	REVISIONS	DESCRIPTION	DATE	APPROVED

FLANGES FASTENED USING
1/4-20 X .938 ALL THREAD &
1/4-20 ACORN NUT (2X)
AS REQUIRED



STANDARD TOWER MOUNTING USING
1/4-20 X 4.0 ALL THREAD W/
1/4-20 ACORN NUT
AS REQUIRED

OPTIONAL TOWER MOUNTING USING
1/4-20 X 8.0 ALL THREAD W/
1/4-20 ACORN NUT
AS REQUIRED



Please **Circle** the desired options Below:

- MATERIAL :**
- 4" X .060" WALL STAINLESS STEEL TUBING
 - 1/4" STAINLESS STEEL PLATE (FLANGE)
- FINISHES :**
- #4 BRUSHED ON ALL TYPES
 - #8 POLISHED ON ALL TYPES

Proprietary and Confidential
The Information contained in this drawing is the sole property of ACU Precision Sheet Metal. Any reproduction in part or as a whole without the written permission of ACU Precision Sheet Metal is Prohibited.
ACU Precision Sheet Metal is:
American Coffee Urn Manufacturing Co., Inc.

	NAME	DATE	TITLE:
DRAWN	M. Johs	08/14	4" BRIDGE TOWER Custom
MATERIAL	SEE NOTES		
FINISH	SEE NOTES	COMMENTS:	AMERICAN COFFEE URN
DO NOT SCALE DRAWING			