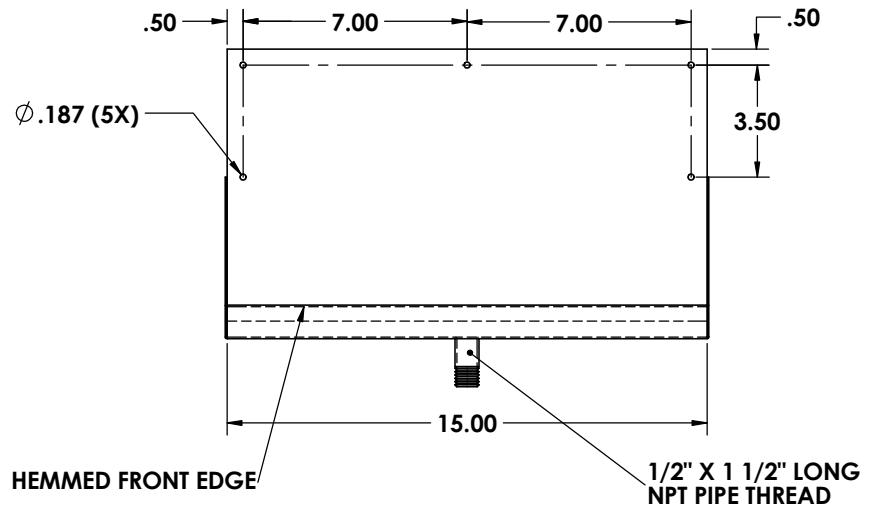
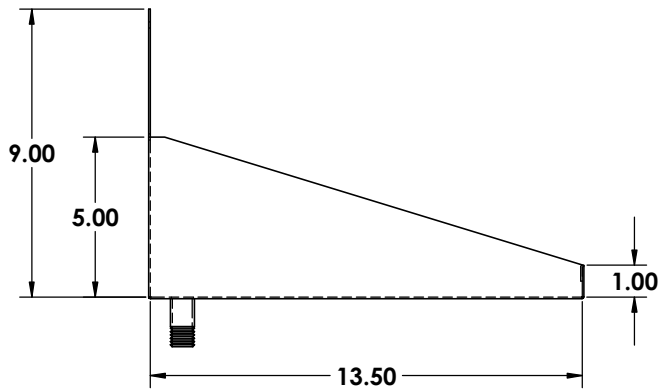
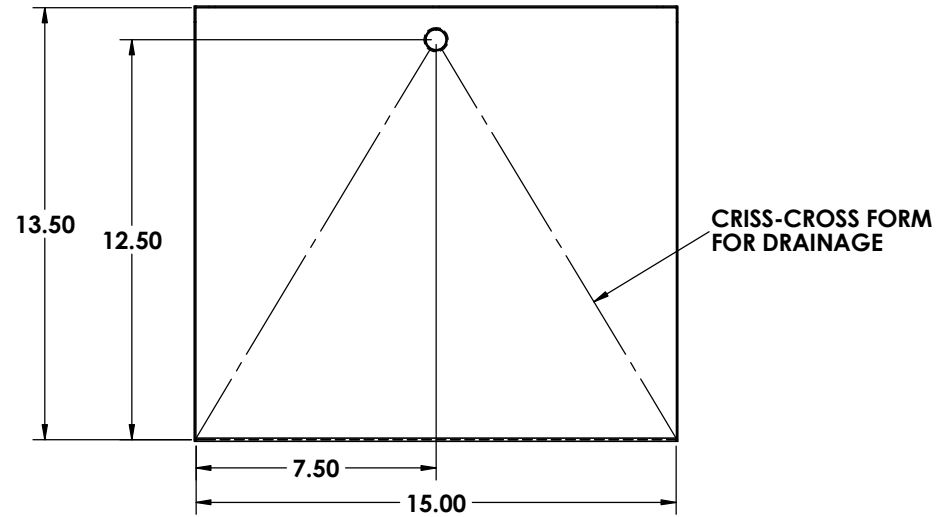
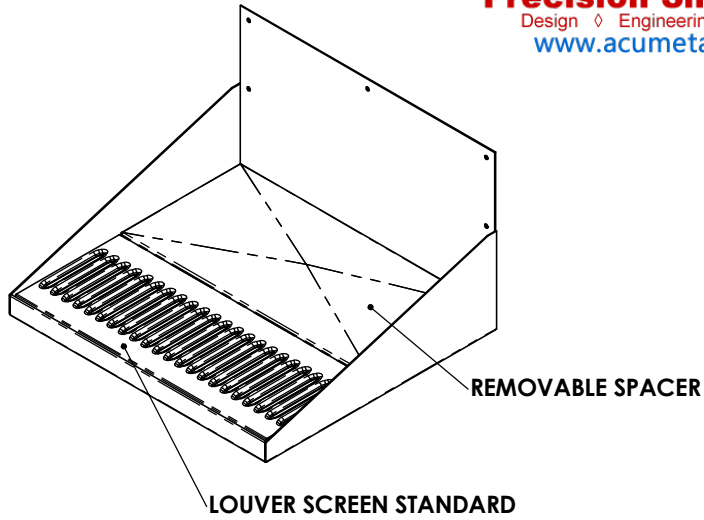


REV. NO.		REVISIONS	DATE	APPROVED
ZONE	REV.	DESCRIPTION		



[www.acumetalfab.com](http://www.acumetalfab.com)

*Please Circle the desired options Below:*

ALL DIMENSIONS ARE INSIDE DIMENSIONS  
UNLESS OTHERWISE NOTED

**MATERIAL :**

- 18 GAUGE STAINLESS STEEL
- 16 GAUGE STAINLESS STEEL
- 16 GAUGE BRASS

**FINISHES :**

- #2B SATIN ON ALL TYPES
- #4 BRUSHED ON ALL TYPES
- #8 POLISHED ON ALL TYPES

**PLEASE FILL IN CORRECT MEASUREMENTS WHERE NEEDED!**

<b>Proprietary and Confidential</b> The Information contained in this drawing is the sole property of ACU Precision Sheet Metal. Any reproduction in part or as a whole without the written permission of ACU Precision Sheet Metal is Prohibited. ACU Precision Sheet Metal is: American Coffee Urn Manufacturing Co., Inc.	NAME	DATE	TITLE:		
	DRAWN	M. Johs		08/14	
	MATERIAL	SEE NOTES		<b>BARREL HEAD WALL MOUNT W/ DRAIN</b>  <b>AMERICAN COFFEE URN</b>	
	FINISH	SEE NOTES	COMMENTS:		
DO NOT SCALE DRAWING			SCALE: 1:1	WEIGHT:	SHEET 1 OF 2