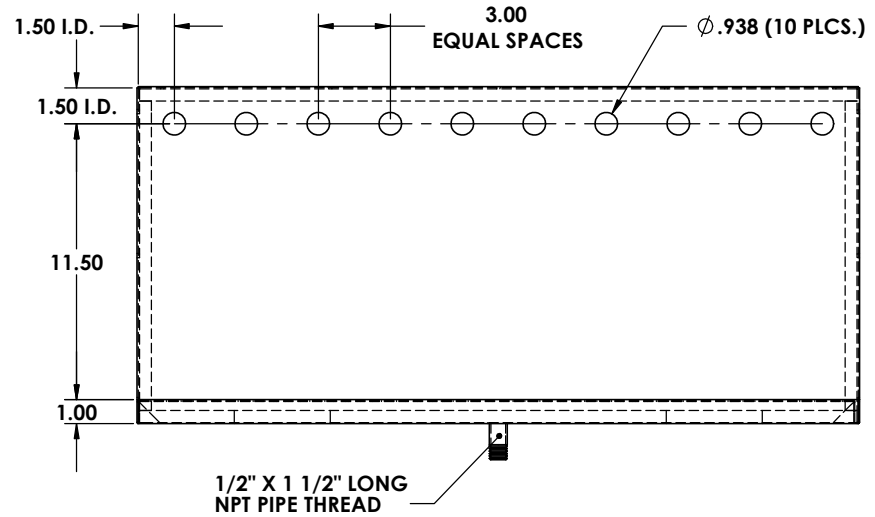
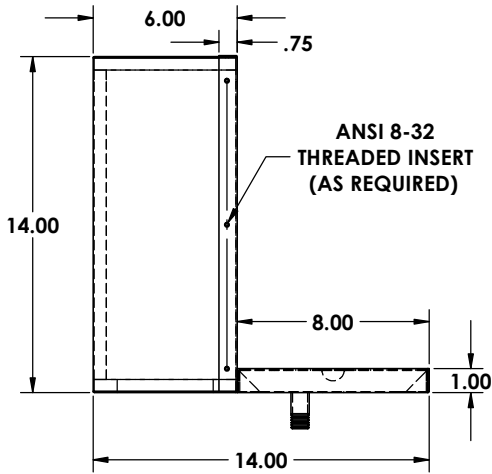
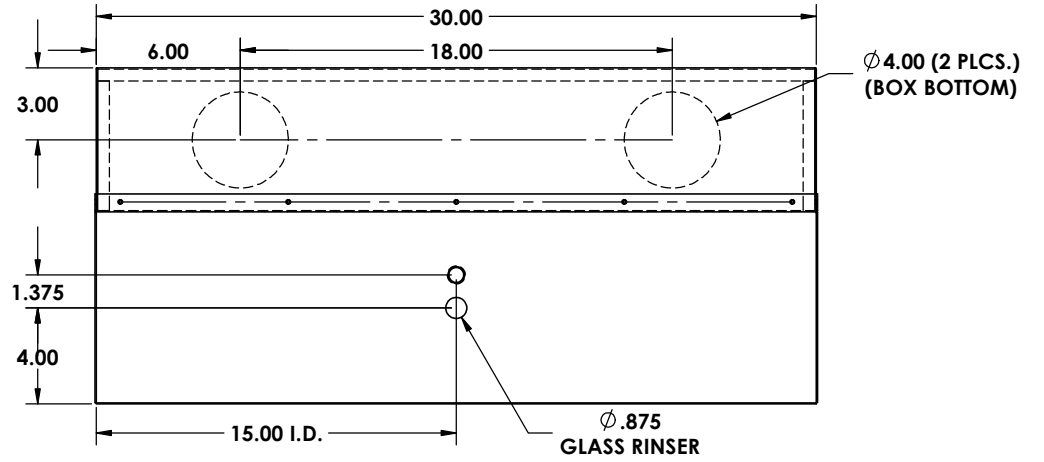
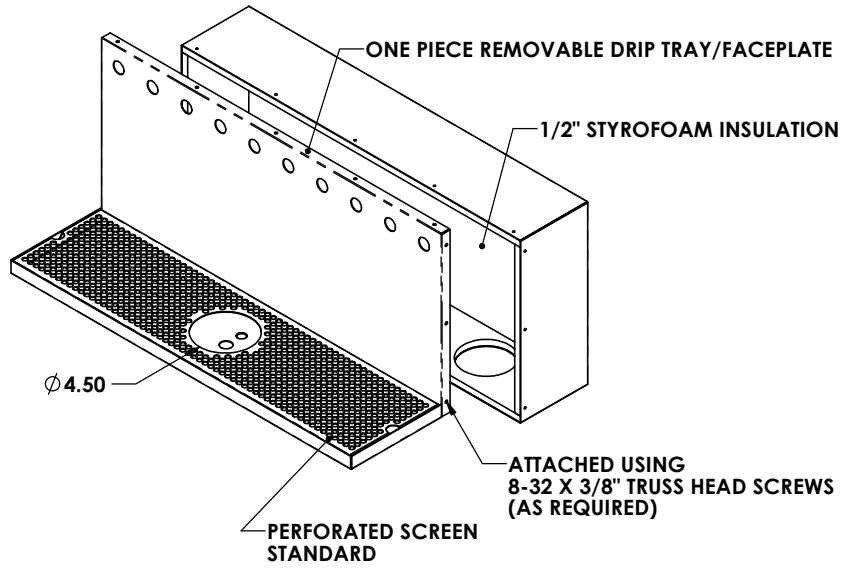


REVISIONS		DATE	APPROVED
ZONE	REV.	DESCRIPTION	



**Please Circle the desired options Below:**

ALL DIMENSIONS ARE OUTSIDE DIMENSIONS  
UNLESS OTHERWISE NOTED

- MATERIAL :**
- 18 GAUGE STAINLESS STEEL
  - 16 GAUGE STAINLESS STEEL
  - 16 GAUGE BRASS
- FINISHES :**
- #2B SATIN ON ALL TYPES
  - #4 BRUSHED ON ALL TYPES
  - #8 POLISHED ON ALL TYPES

**American Coffee**  
**Urn Manufacturing Co., Inc.**  
 Precision Sheet Metal  
 Design ♦ Engineering ♦ Fabrication  
[www.acumetalfab.com](http://www.acumetalfab.com)

**Proprietary and Confidential**  
 The Information contained in this drawing is the sole property of ACU Precision Sheet Metal. Any reproduction in part or as a whole without the written permission of ACU Precision Sheet Metal is Prohibited.  
 ACU Precision Sheet Metal is:  
 American Coffee Urn Manufacturing Co., Inc.

	NAME	DATE
DRAWN	M. Johs	08/14
MATERIAL	SEE NOTES	
FINISH	SEE NOTES	COMMENTS:

TITLE: **TOMBSTONE TOWER  
 W/ DRAIN & GLASS RINSER  
 10 HOLE, 30" TOWER**

**AMERICAN COFFEE URN**