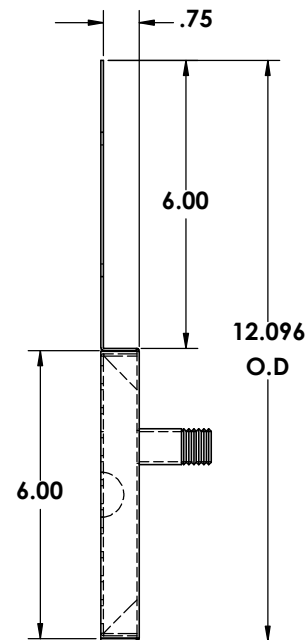
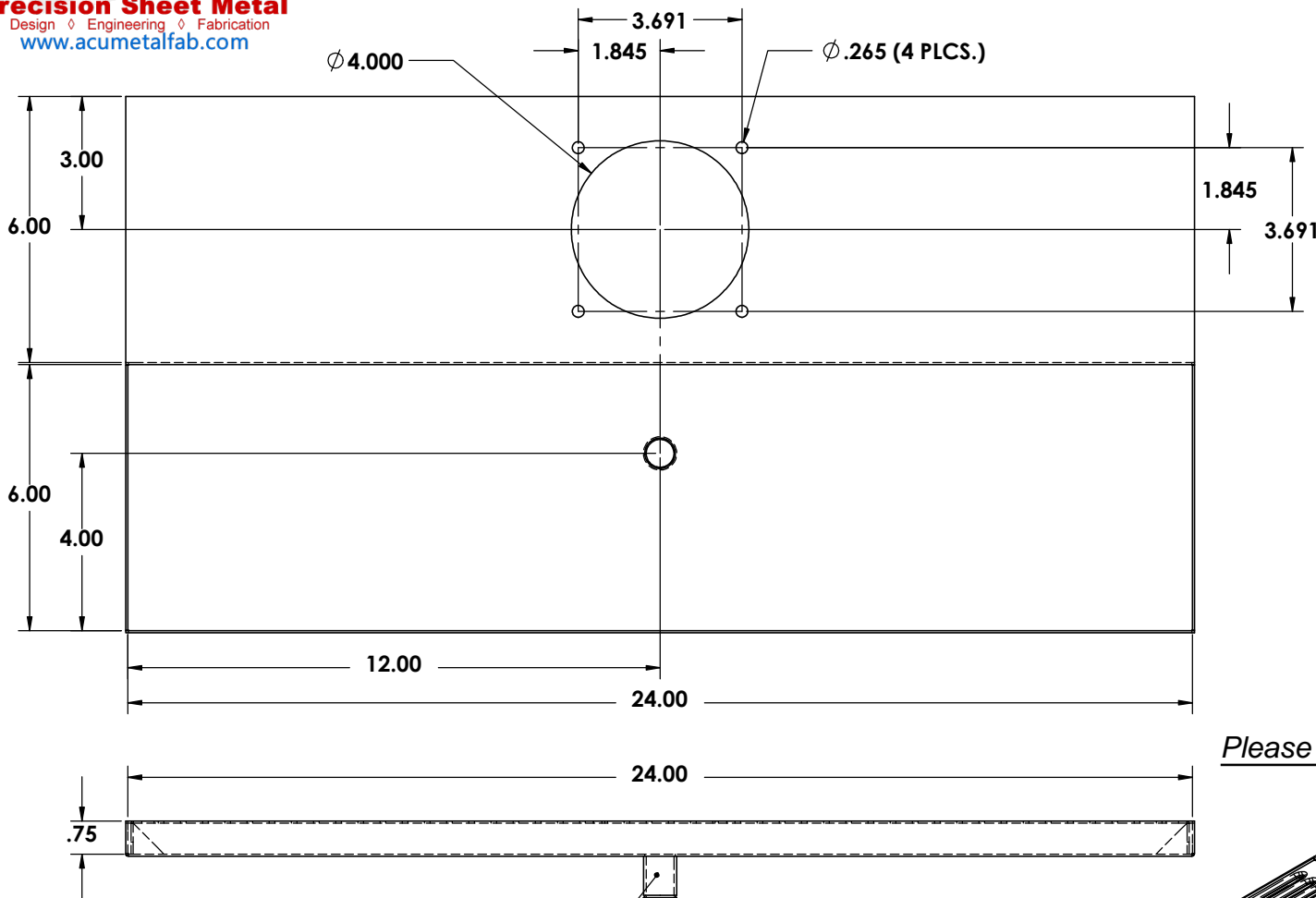


PLEASE FILL IN CORRECT MEASUREMENTS WHERE NEEDED!

REV. NO.		REVISIONS	DATE	APPROVED
ZONE	REV.	DESCRIPTION		



Please **Circle** the desired Screen Below:

Please **Circle** the desired options Below:

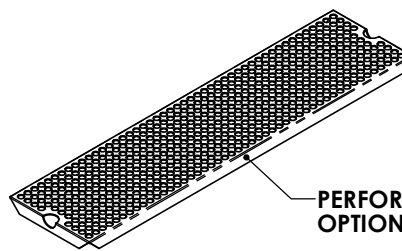
ALL DIMENSIONS ARE INSIDE DIMENSIONS  
 UNLESS OTHERWISE NOTED

MATERIAL :

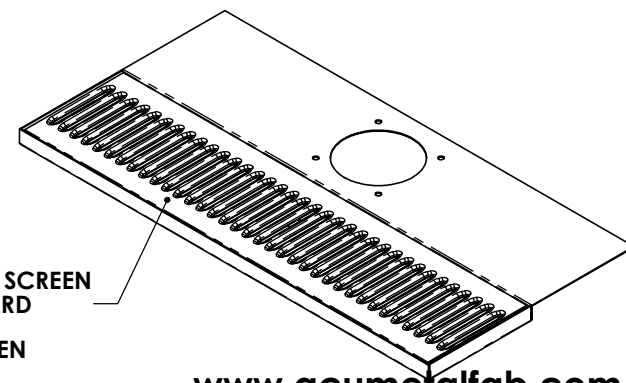
18 GAUGE STAINLESS STEEL  
 16 GAUGE BRASS

FINISHES :

#4 BRUSHED ON ALL TYPES  
 #8 POLISHED ON ALL TYPES



PERFORATED SCREEN  
 OPTIONAL



LOUVER SCREEN  
 STANDARD

[www.acumetalfab.com](http://www.acumetalfab.com)

**Proprietary and Confidential**  
 The Information contained in this drawing is the sole property of ACU Precision Sheet Metal. Any reproduction in part or as a whole without the written permission of ACU Precision Sheet Metal is Prohibited.  
 ACU Precision Sheet Metal is:  
 American Coffee Urn Manufacturing Co., Inc.

	NAME	DATE
DRAWN	L. WILLIAMS	05/12
MATERIAL	SEE NOTES	
FINISH	SEE NOTES	COMMENTS:

TITLE:
SMALL STANDARD OVERHANG W/ 4" PEDESTAL CUSTOM
AMERICAN COFFEE URN