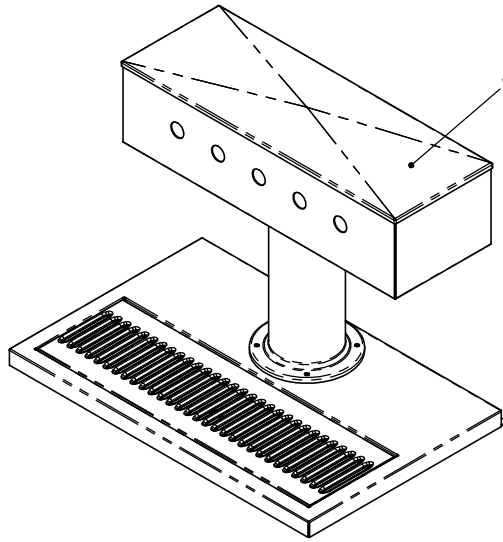
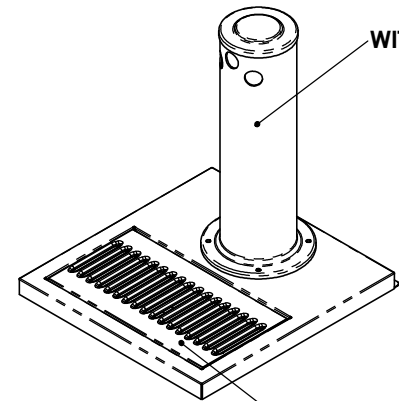


REV. NO.		REVISIONS	DATE	APPROVED
ZONE	REV.	DESCRIPTION		



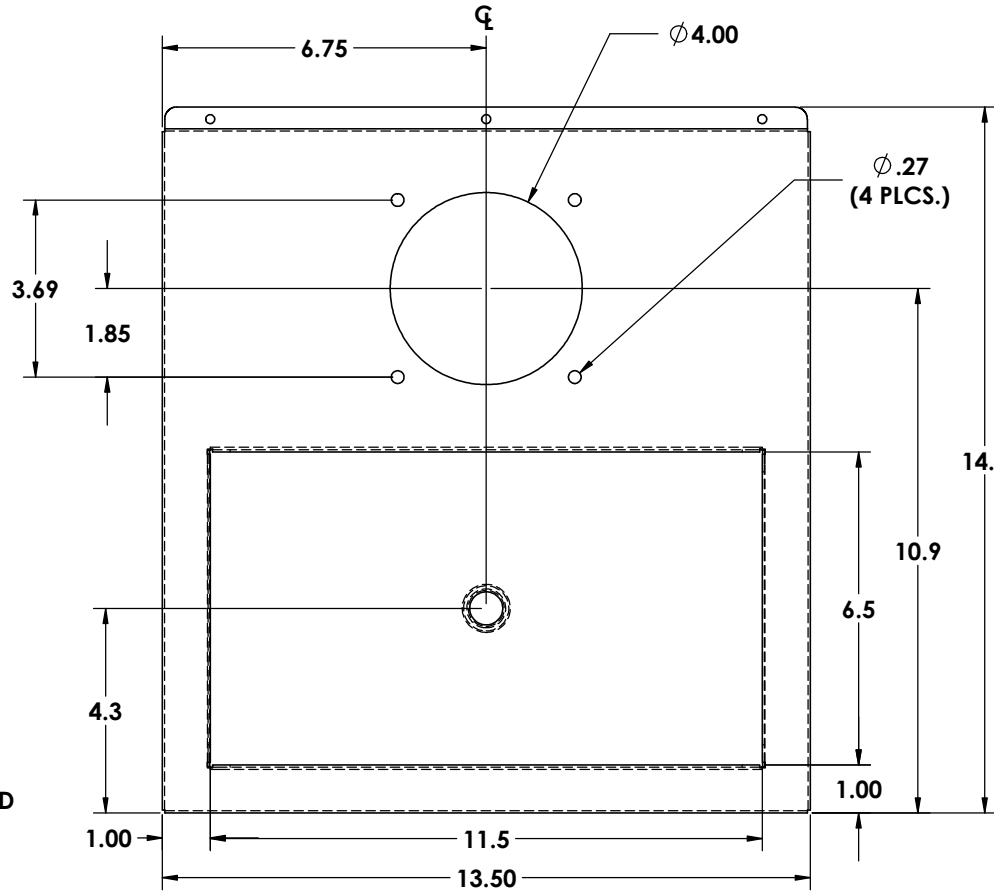
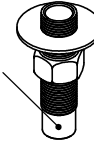
WITH T-TOWER BOX



WITH DRAFT ARM

LOUVER SCREEN STANDARD

5/8-18 X 3" LONG  
BRASS DRAIN W/HARDWARE



5/8-18 THREADED DRAIN FITTING

Please Circle the desired options Below:

ALL DIMENSIONS ARE INSIDE DIMENSIONS  
UNLESS OTHERWISE NOTED

**MATERIAL :**  
 18 GAUGE STAINLESS STEEL  
 16 GAUGE STAINLESS STEEL  
 16 GAUGE BRASS

**FINISHES :**  
 #2B SATIN ON ALL TYPES  
 #4 BRUSHED ON ALL TYPES  
 #8 POLISHED ON ALL TYPES

PLEASE FILL IN CORRECT MEASUREMENTS WHERE NEEDED!

**Proprietary and Confidential**  
 The Information contained in this drawing is the sole property of ACU Precision Sheet Metal. Any reproduction in part or as a whole without the written permission of ACU Precision Sheet Metal is Prohibited.  
 ACU Precision Sheet Metal is:  
 American Coffee Urn Manufacturing Co., Inc.

	NAME	DATE
DRAWN	M. Johs	08/14
MATERIAL	SEE NOTES	
FINISH	SEE NOTES	COMMENTS:

TITLE:
<b>4" BASE DRAFT ARM/T-TOWER</b>
<b>AMERICAN COFFEE URN</b>