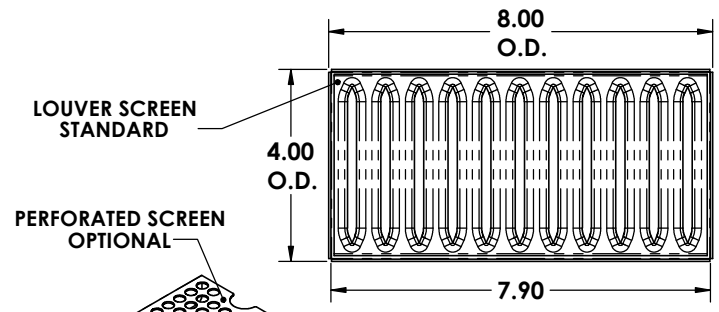
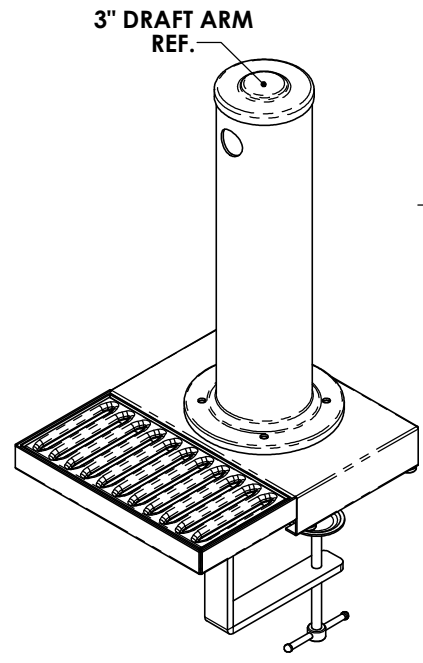
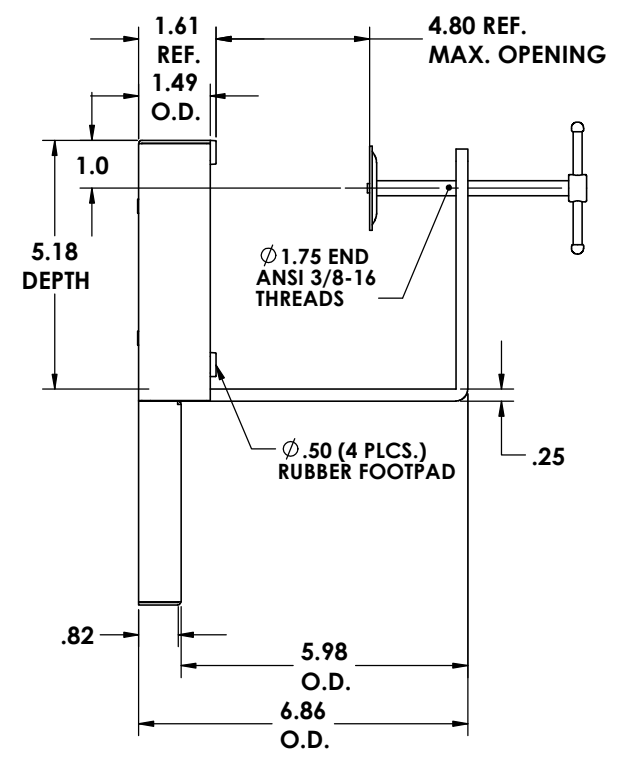
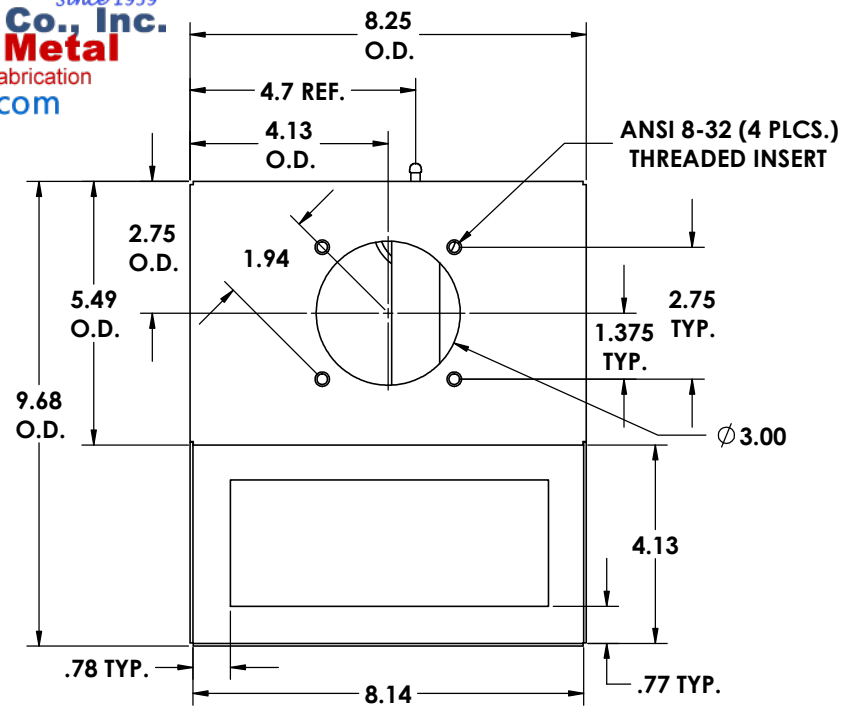


REV. NO.		REVISIONS	DATE	APPROVED



LOUVER SCREEN STANDARD
 PERFORATED SCREEN OPTIONAL

4" X 8" DRIP TRAY STANDARD

Please **Circle** the desired options Below:

ALL DIMENSIONS ARE INSIDE DIMENSIONS UNLESS OTHERWISE NOTED

MATERIAL :
 18 GAUGE STAINLESS STEEL
 16 GAUGE STAINLESS STEEL
 1/4" STAINLESS STEEL BAR

FINISHES :
 #4 BRUSHED
 #8 POLISHED

Proprietary and Confidential
 The Information contained in this drawing is the sole property of ACU Precision Sheet Metal. Any reproduction in part or as a whole without the written permission of ACU Precision Sheet Metal is Prohibited.
 ACU Precision Sheet Metal is:
 American Coffee Urn Manufacturing Co., Inc.

	NAME	DATE	TITLE:
DRAWN	M. Johs	08/14	CLAMP-ON 3" DRAFT ARM BASE W/ DRIP TRAY
MATERIAL	SEE NOTES		
FINISH	SEE NOTES	COMMENTS:	AMERICAN COFFEE URN
DO NOT SCALE DRAWING			

**CLAMP-ON
3" DRAFT ARM BASE
W/ DRIP TRAY**

AMERICAN COFFEE URN