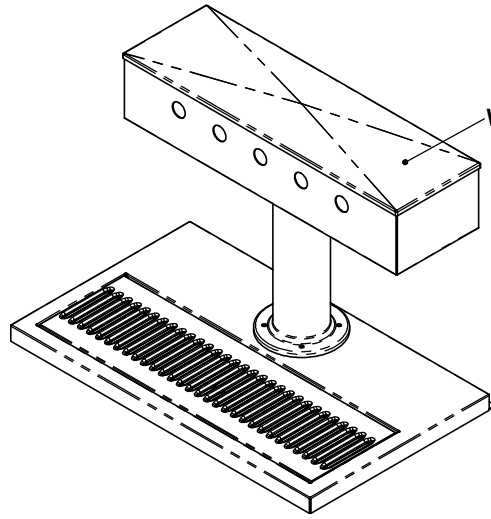
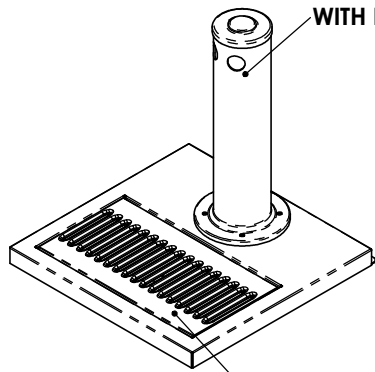


REV. NO.		REVISIONS	DATE	APPROVED
ZONE	REV.	DESCRIPTION		



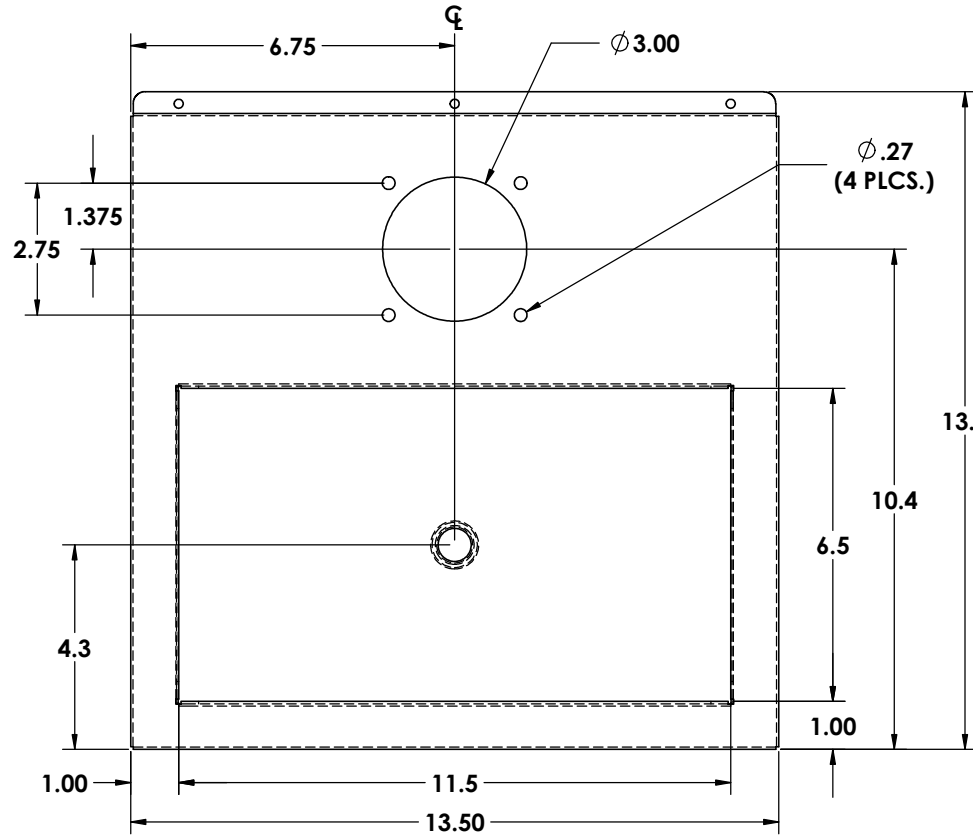
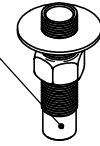
WITH T-TOWER BOX



WITH DRAFT ARM

LOUVER SCREEN STANDARD

5/8-18 X 3" LONG
 BRASS DRAIN W/HARDWARE



5/8-18 THREADED DRAIN FITTING

Please Circle the desired options Below:

ALL DIMENSIONS ARE INSIDE DIMENSIONS
 UNLESS OTHERWISE NOTED

MATERIAL :

- 18 GAUGE STAINLESS STEEL
- 16 GAUGE STAINLESS STEEL
- 16 GAUGE BRASS

FINISHES :

- #2B SATIN ON ALL TYPES
- #4 BRUSHED ON ALL TYPES
- #8 POLISHED ON ALL TYPES

PLEASE FILL IN CORRECT MEASUREMENTS WHERE NEEDED!

Proprietary and Confidential
 The Information contained in this drawing is the sole property of ACU Precision Sheet Metal. Any reproduction in part or as a whole without the written permission of ACU Precision Sheet Metal is Prohibited.
 ACU Precision Sheet Metal is:
 American Coffee Urn Manufacturing Co., Inc.

	NAME	DATE	TITLE:
DRAWN	M. Johs	08/14	
MATERIAL	SEE NOTES		3" BASE DRAFT ARM/T-TOWER
FINISH	SEE NOTES	COMMENTS:	
DO NOT SCALE DRAWING			AMERICAN COFFEE URN