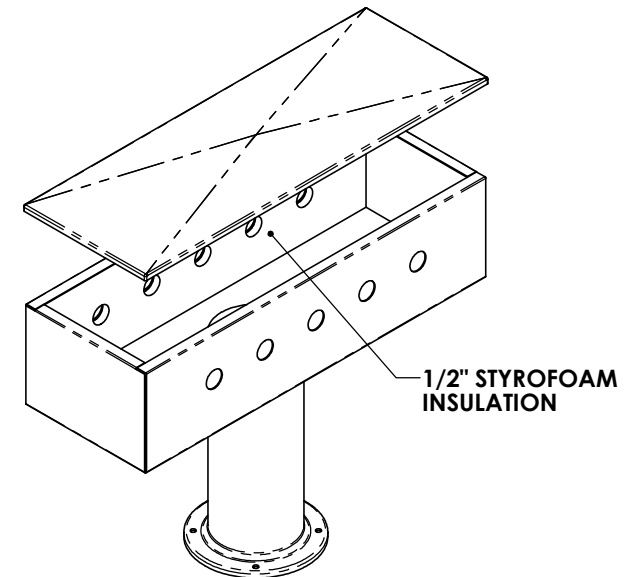
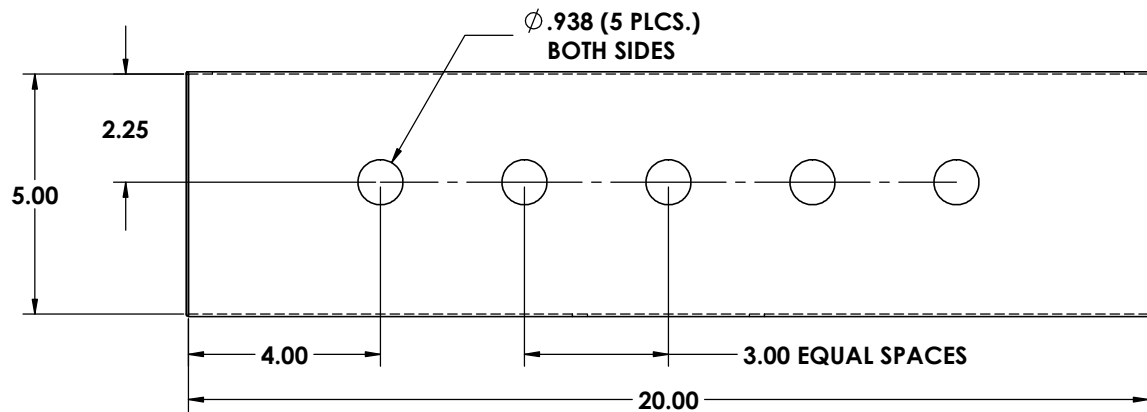
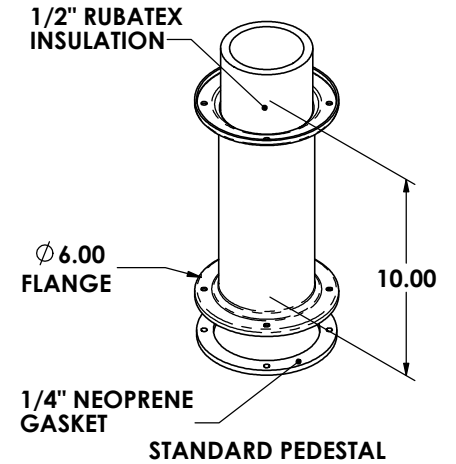
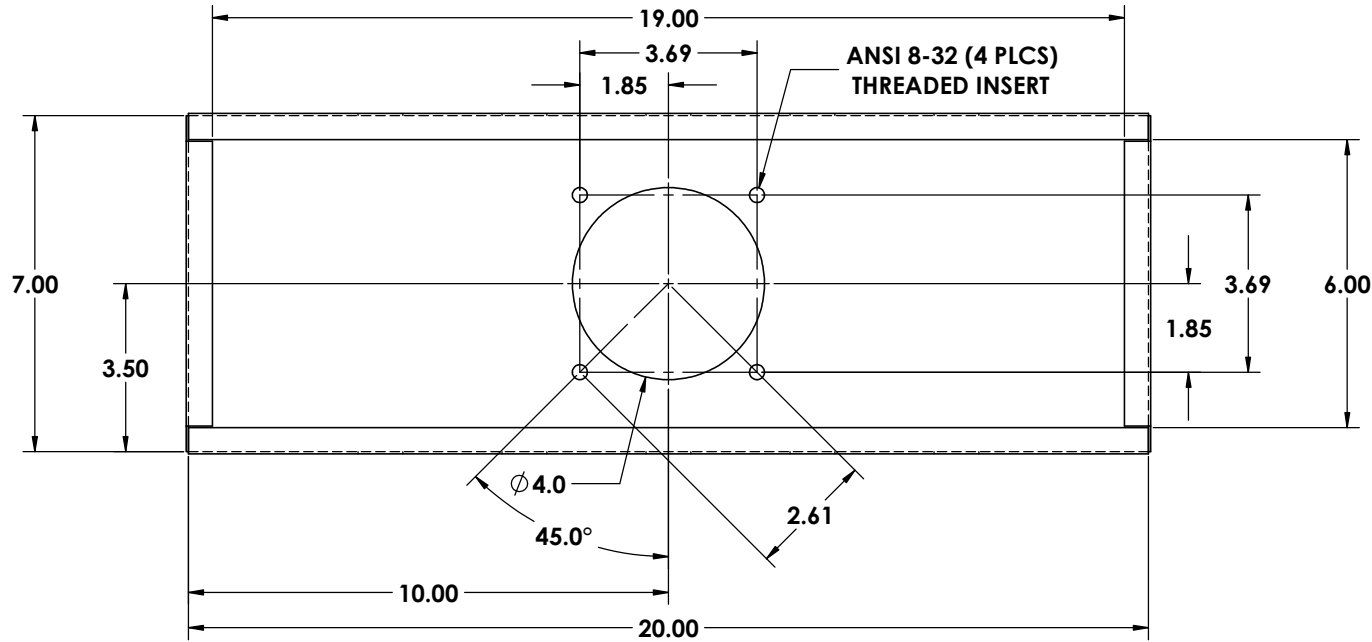


REV. NO.		REVISIONS	DATE	APPROVED



Please Circle the desired options Below:

ALL DIMENSIONS ARE INSIDE DIMENSIONS  
UNLESS OTHERWISE NOTED

- MATERIAL :**
- 18 GAUGE STAINLESS STEEL
  - 16 GAUGE STAINLESS STEEL
  - 16 GAUGE BRASS

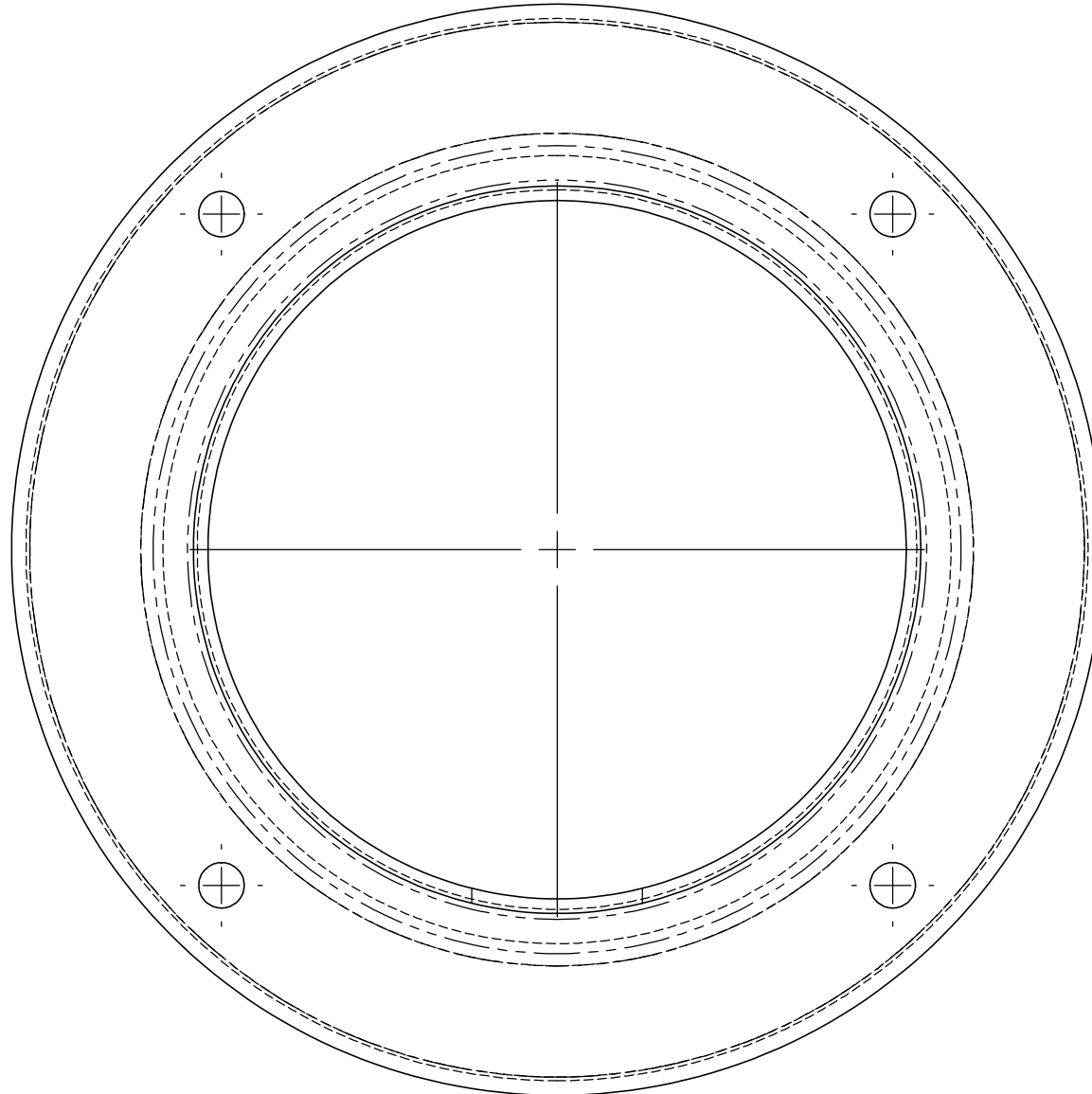
- FINISHES :**
- #2B SATIN ON ALL TYPES
  - #4 BRUSHED ON ALL TYPES
  - #8 POLISHED ON ALL TYPES

**American Coffee**  
Urn Manufacturing Co., Inc. *Since 1959*  
Precision Sheet Metal  
Design ♦ Engineering ♦ Fabrication  
www.acumetalfab.com

**Proprietary and Confidential**  
The Information contained in this drawing is the sole property of ACU Precision Sheet Metal. Any reproduction in part or as a whole without the written permission of ACU Precision Sheet Metal is Prohibited.  
ACU Precision Sheet Metal is:  
American Coffee Urn Manufacturing Co., Inc.

	NAME	DATE	TITLE:
DRAWN	M. Johs	08/14	<b>4" T-TOWER - NO FACEPLATE SGL PED - DBL SERVICE</b>
MATERIAL	SEE NOTES		
FINISH	SEE NOTES	COMMENTS:	<b>AMERICAN COFFEE URN</b>
DO NOT SCALE DRAWING			

# 4" PEDESTAL AND DRAFT ARM TEMPLATE



**SCALE 1:1**

**Set printer settings to : Page Scaling = "None"**