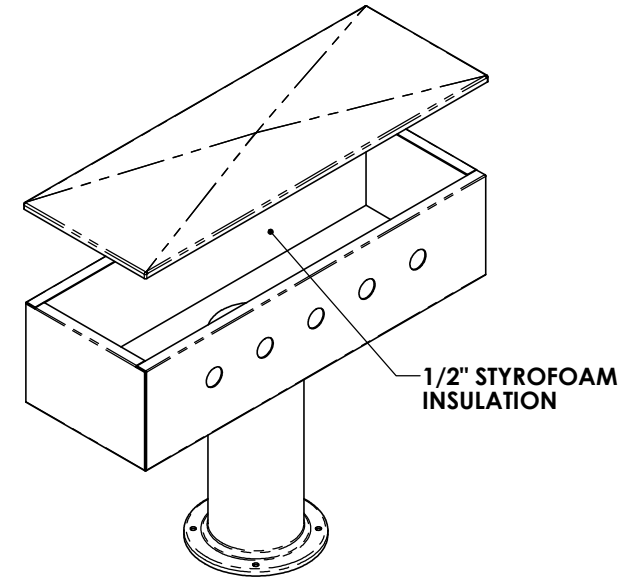
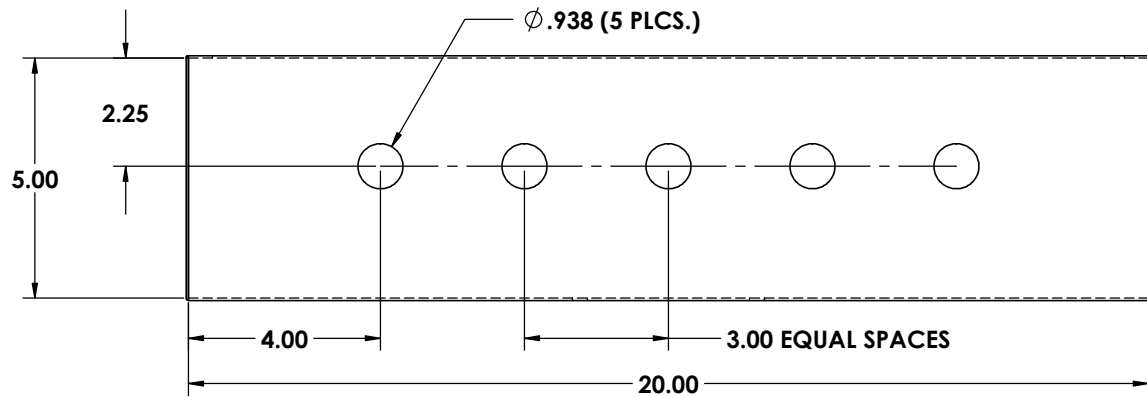
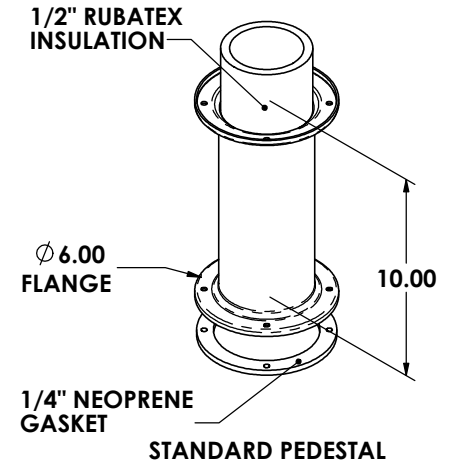
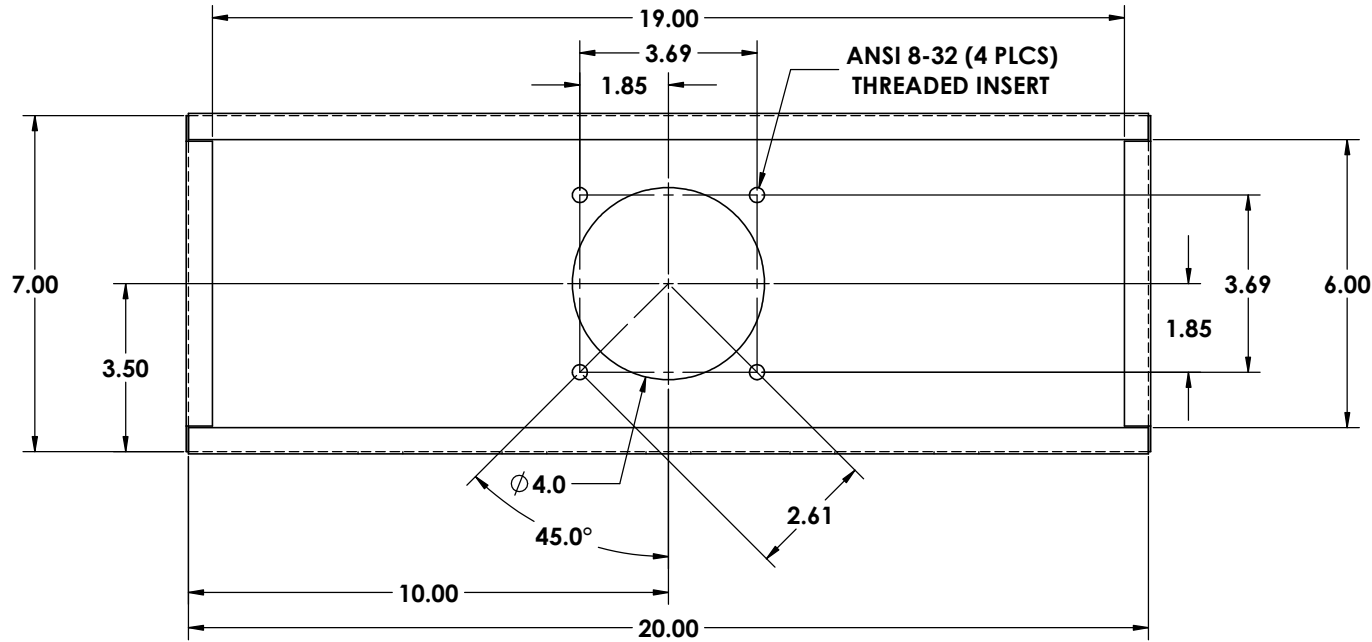


ZONE		REV.	DESCRIPTION	DATE	APPROVED



ALL DIMENSIONS ARE INSIDE DIMENSIONS  
UNLESS OTHERWISE NOTED

**MATERIAL :**  
18 GAUGE STAINLESS STEEL  
16 GAUGE STAINLESS STEEL  
16 GAUGE BRASS

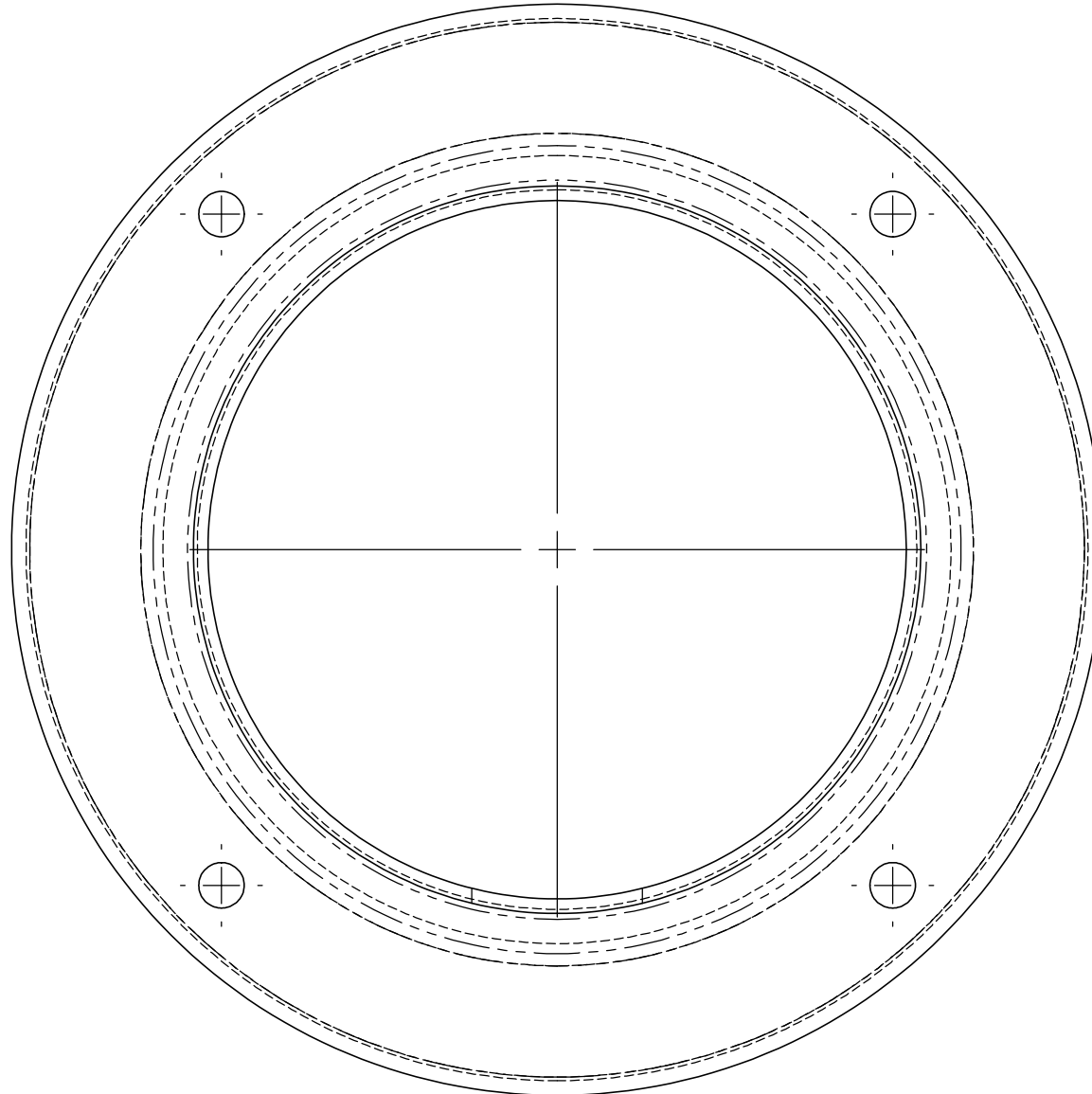
**FINISHES :**  
#2B SATIN ON ALL TYPES  
#4 BRUSHED ON ALL TYPES  
#8 POLISHED ON ALL TYPES

**American Coffee**  
**Urn Manufacturing Co., Inc.**  
Since 1959  
Design ♦ Engineering ♦ Fabrication  
www.acumetalfab.com

**Proprietary and Confidential**  
The Information contained in this drawing is the sole property of ACU Precision Sheet Metal. Any reproduction in part or as a whole without the written permission of ACU Precision Sheet Metal is Prohibited.  
ACU Precision Sheet Metal is:  
American Coffee Urn Manufacturing Co., Inc.

	NAME	DATE	TITLE:
DRAWN	M. Johs	08/14	<b>4" T-TOWER - NO FACEPLATE SGL PED - SGL SERVICE</b>
MATERIAL	SEE NOTES		
FINISH	SEE NOTES	COMMENTS:	<b>AMERICAN COFFEE URN</b>
DO NOT SCALE DRAWING			

# 4" PEDESTAL AND DRAFT ARM TEMPLATE



**SCALE 1:1**

**Set printer settings to : Page Scaling = "None"**