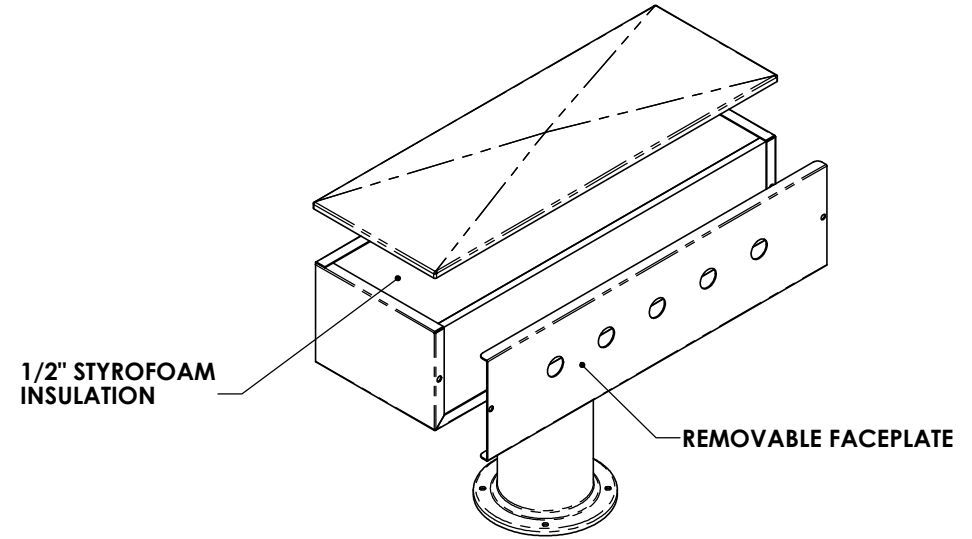
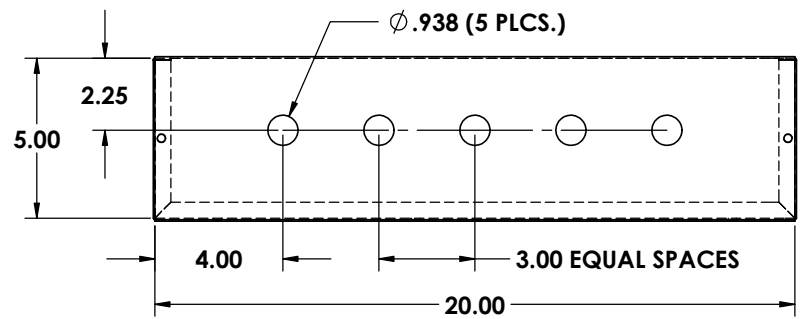
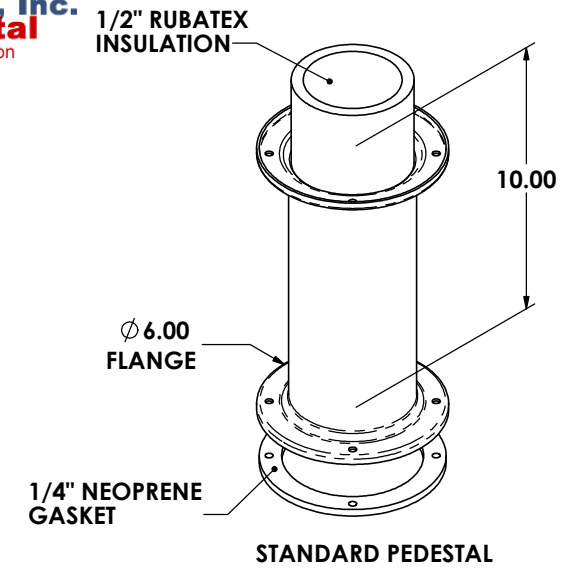
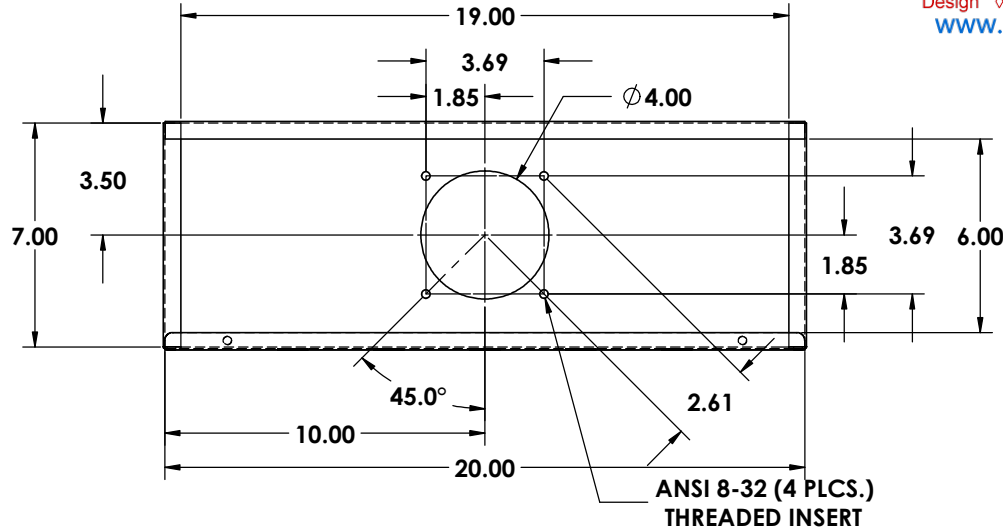


REV. NO.		REVISIONS	DATE	APPROVED
ZONE	REV.	DESCRIPTION		



Please Circle the desired options Below:

ALL DIMENSIONS ARE INSIDE DIMENSIONS
 UNLESS OTHERWISE NOTED

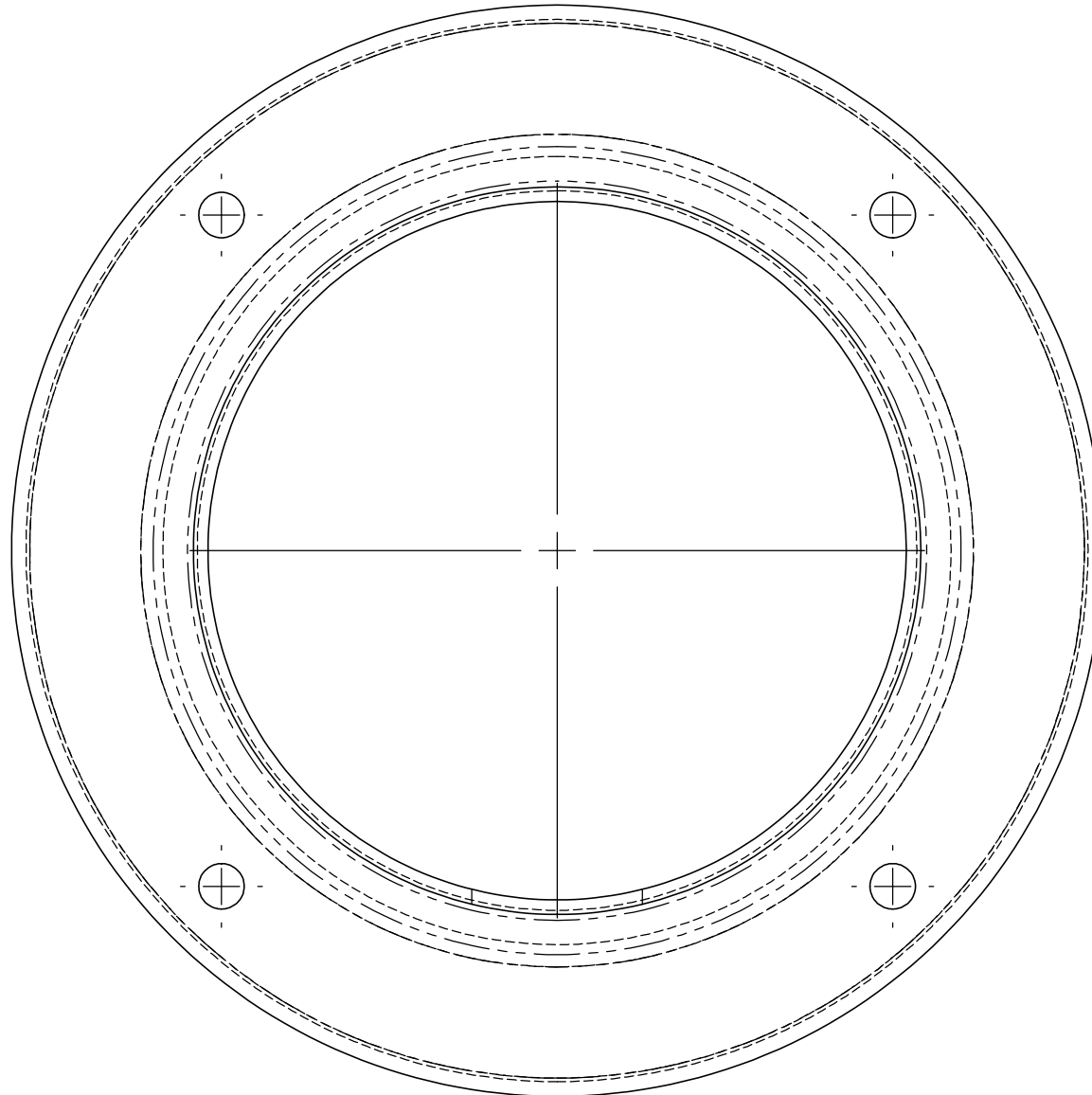
- MATERIAL :**
 18 GAUGE STAINLESS STEEL
 16 GAUGE STAINLESS STEEL
 16 GAUGE BRASS
- FINISHES :**
 #2B SATIN ON ALL TYPES
 #4 BRUSHED ON ALL TYPES
 #8 POLISHED ON ALL TYPES

Proprietary and Confidential
 The Information contained in this drawing is the sole property of ACU Precision Sheet Metal. Any reproduction in part or as a whole without the written permission of ACU Precision Sheet Metal is Prohibited.
 ACU Precision Sheet Metal is:
 American Coffee Urn Manufacturing Co., Inc.

	NAME	DATE
DRAWN	M. Johs	08/14
MATERIAL	SEE NOTES	
FINISH	SEE NOTES	COMMENTS:

TITLE:
4" T-TOWER, W/FACEPLATE SINGLE PEDESTAL
AMERICAN COFFEE URN

4" PEDESTAL AND DRAFT ARM TEMPLATE



SCALE 1:1

Set printer settings to : Page Scaling = "None"