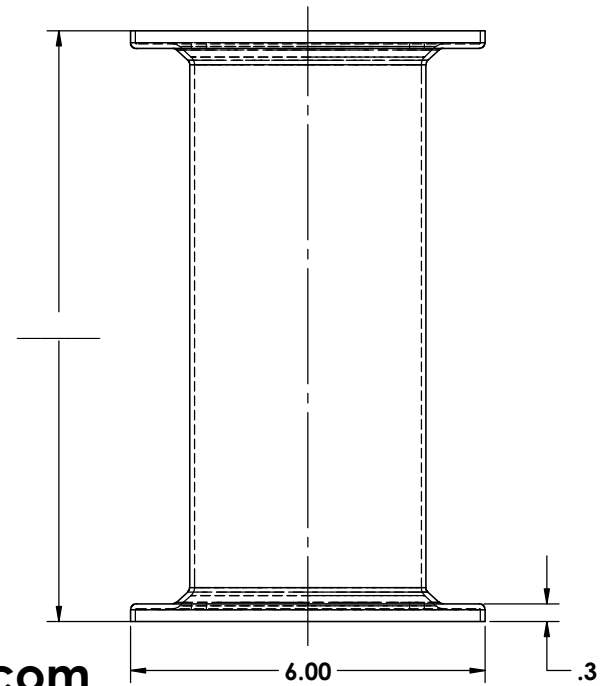
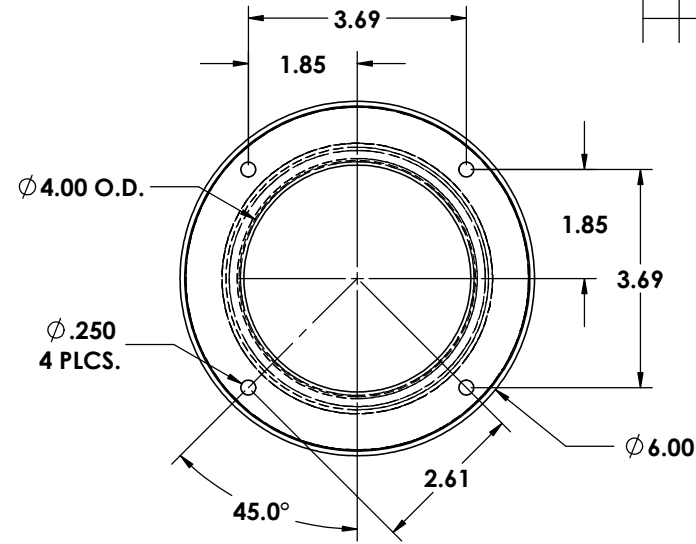
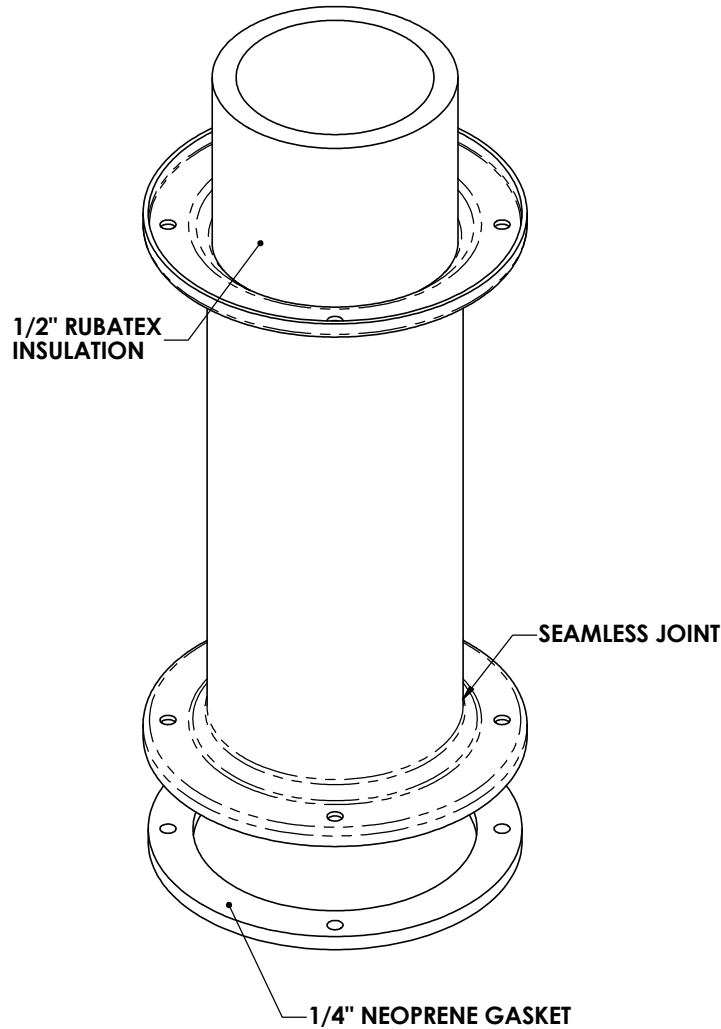


Please **Fill in** the desired measurements below:

| ZONE | | REV. | REVISIONS | DATE | APPROVED |
|------|--|------|-------------|------|----------|
| | | | DESCRIPTION | | |
| | | | | | |
| | | | | | |



Please **Circle** the desired options Below:

MATERIAL :
 4" X .060 WALL STAINLESS STEEL
 4" X .060 WALL BRASS TUBING

FINISHES :
 #4 BRUSHED ON ALL TYPES
 #8 POLISHED ON ALL TYPES

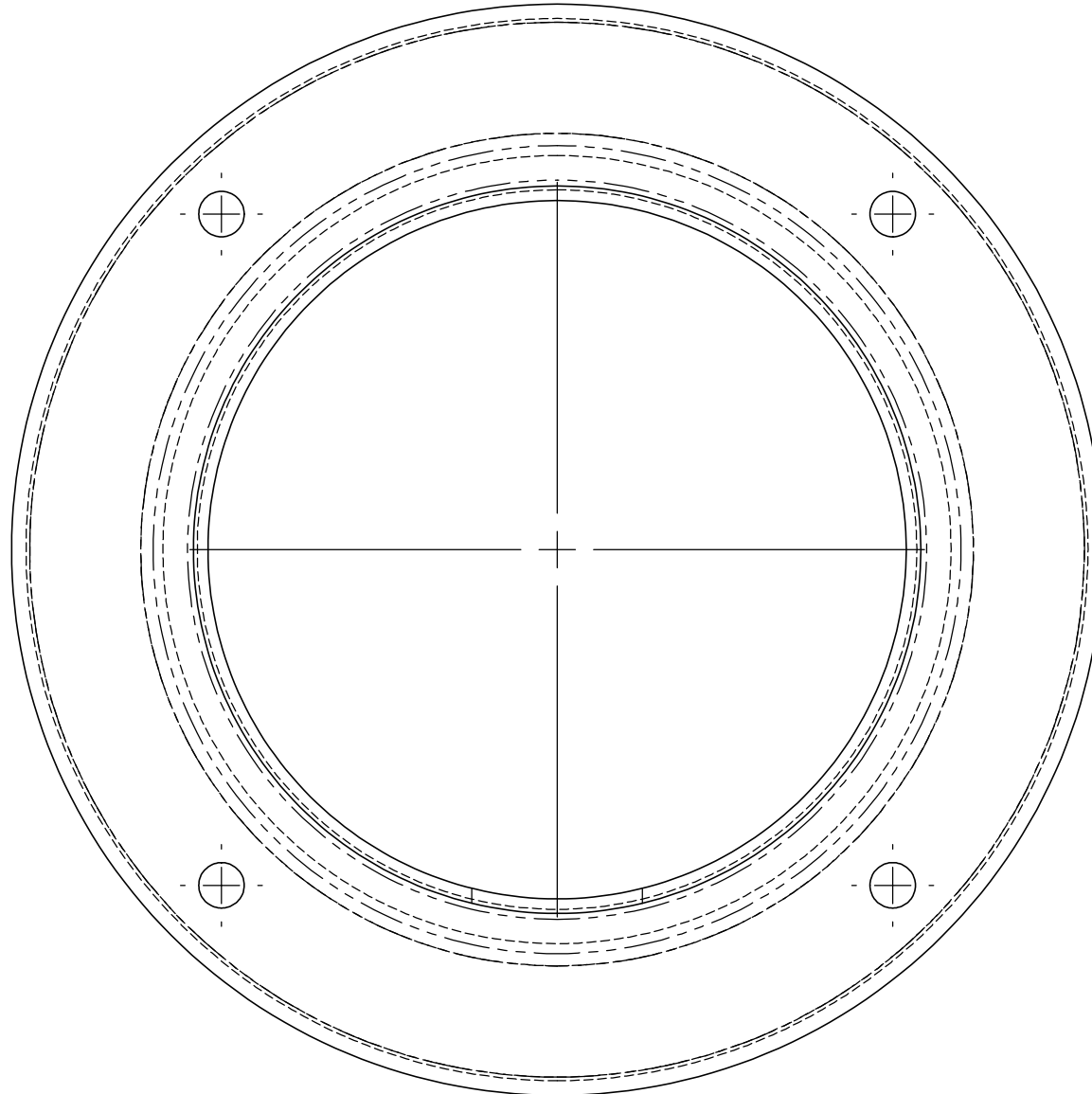
www.acumetalfab.com

Proprietary and Confidential
 The Information contained in this drawing is the sole property of ACU Precision Sheet Metal. Any reproduction in part or as a whole without the written permission of ACU Precision Sheet Metal is Prohibited.
 ACU Precision Sheet Metal is:
 American Coffee Urn Manufacturing Co., Inc.

| | NAME | DATE |
|----------|-----------|-----------|
| DRAWN | M. Johs | 07/14 |
| MATERIAL | SEE NOTES | |
| FINISH | SEE NOTES | COMMENTS: |

| TITLE: |
|--|
| 4" PEDESTAL ASSEMBLY CUSTOM PEDESTAL & INSULATION |
| AMERICAN COFFEE URN |

4" PEDESTAL AND DRAFT ARM TEMPLATE



SCALE 1:1

Set printer settings to : Page Scaling = "None"