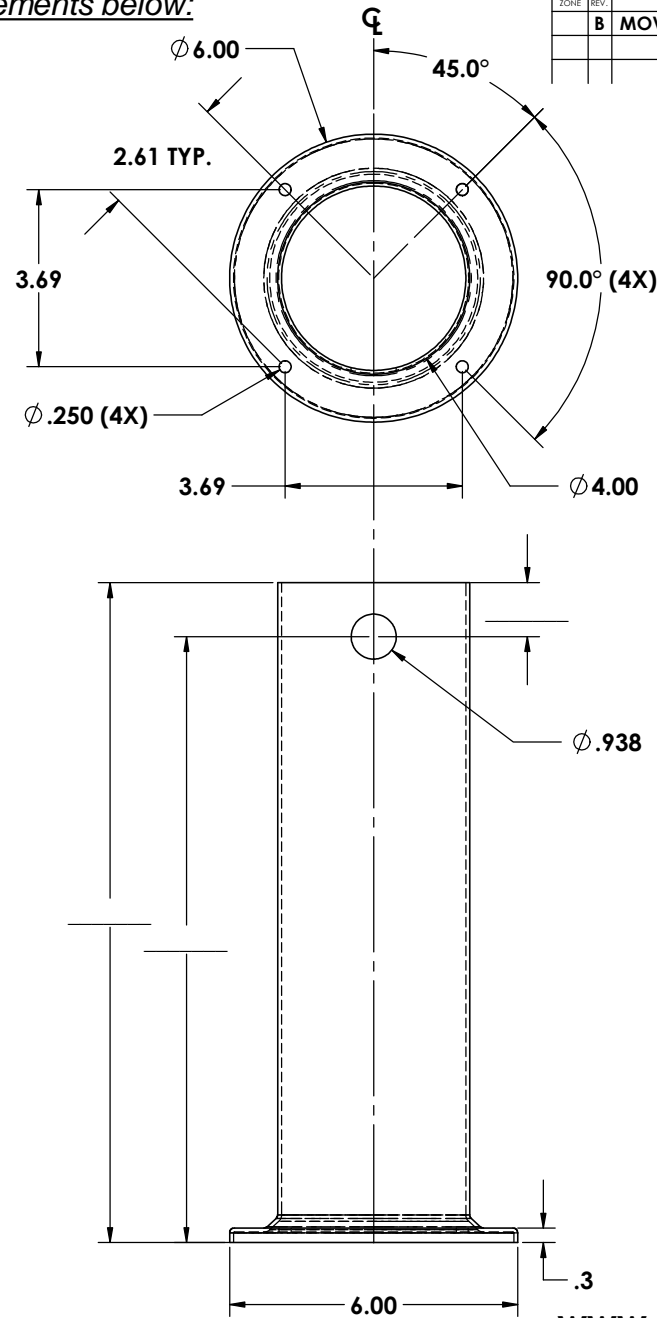
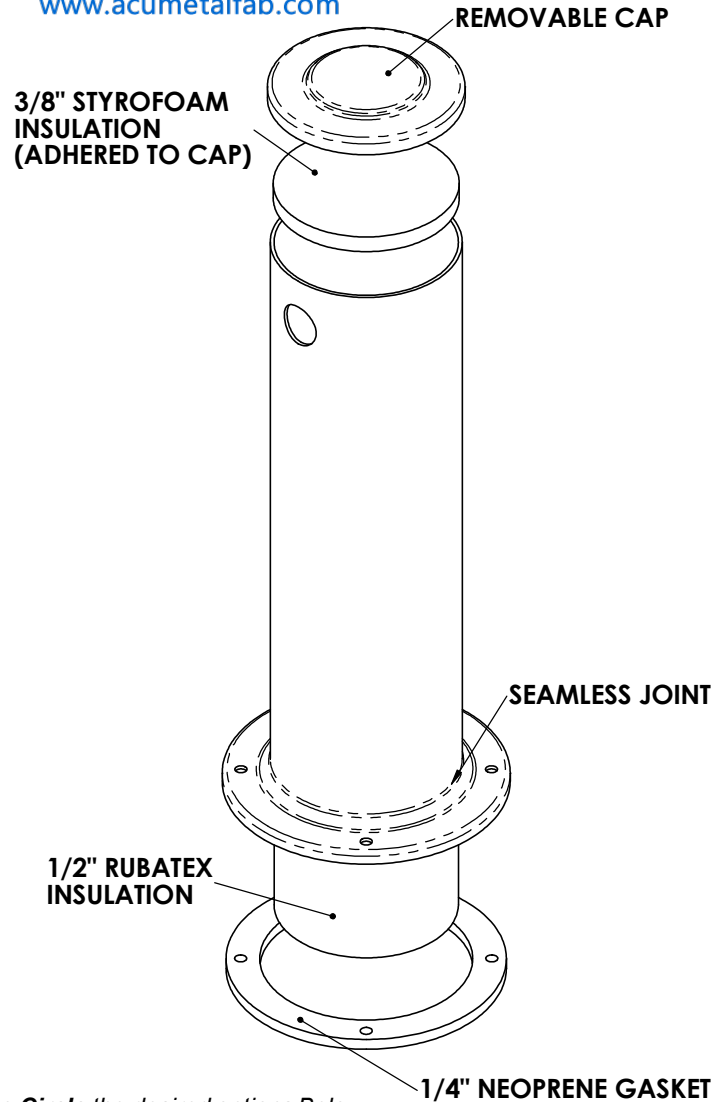


Please **Fill in** the desired measurements below:

REVISIONS			
ZONE	REV.	DESCRIPTION	DATE
	B	MOVED HOLES DOWN 3/16"	04/2012



Please **Circle** the desired options Below:

- MATERIAL :**
 4" X .060 WALL STAINLESS STEEL
 4" X .060 WALL BRASS TUBING
- FINISHES :**
 #4 BRUSHED ON ALL TYPES
 #8 POLISHED ON ALL TYPES

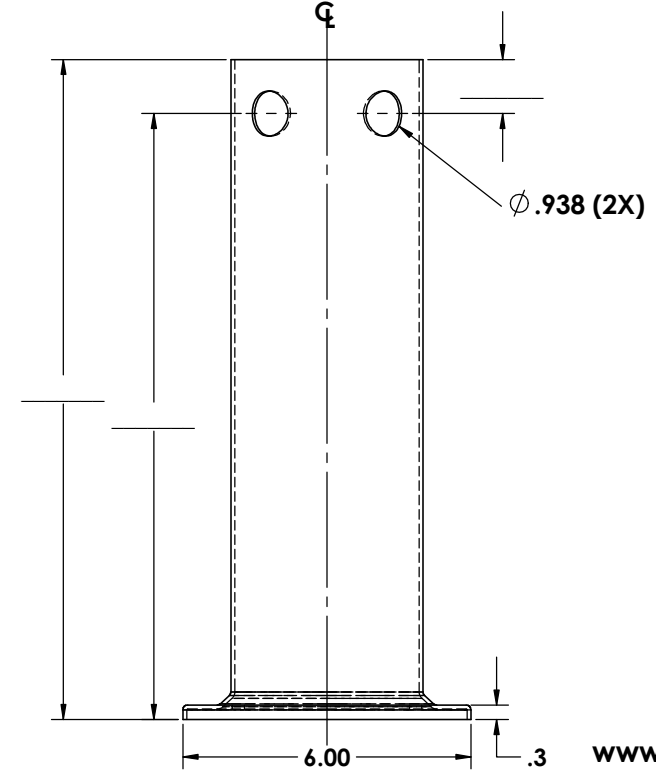
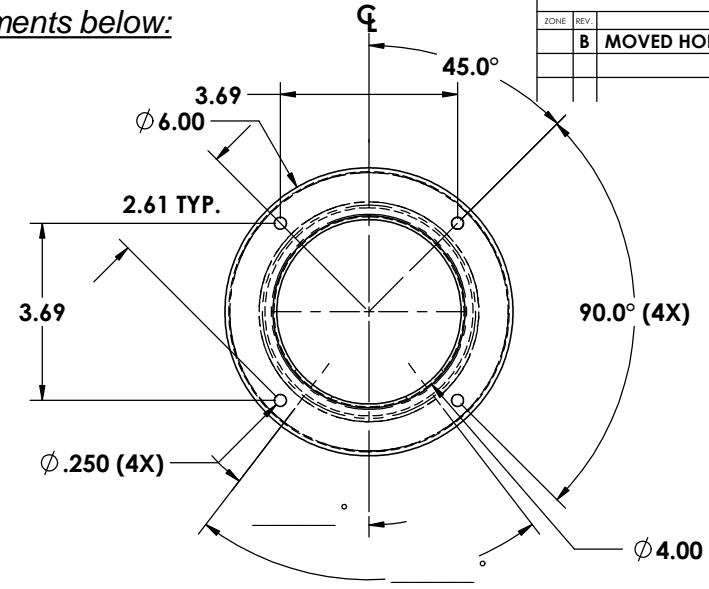
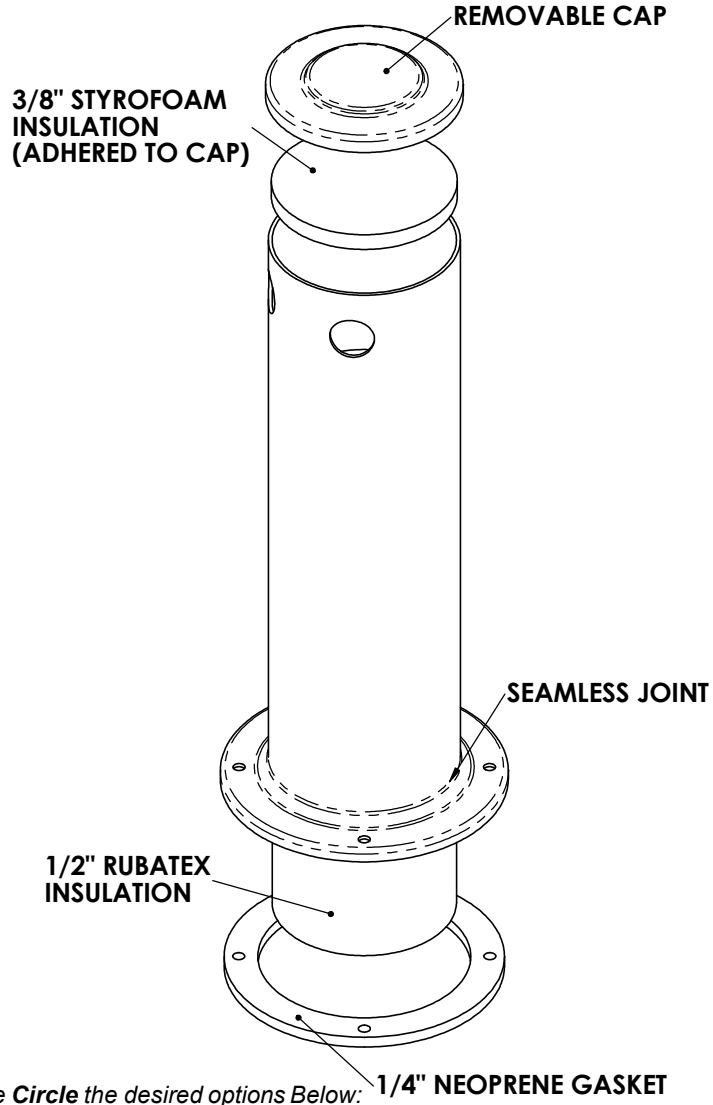
www.acumetalfab.com

Proprietary and Confidential
 The Information contained in this drawing is the sole property of ACU Precision Sheet Metal. Any reproduction in part or as a whole without the written permission of ACU Precision Sheet Metal is Prohibited.
 ACU Precision Sheet Metal is:
 American Coffee Urn Manufacturing Co., Inc.

	NAME	DATE	TITLE:
DRAWN	M. Johs	06/14	4" DRAFT ARM ASSEMBLY 1 HOLE, CUSTOM
MATERIAL	SEE NOTES		
FINISH	SEE NOTES	COMMENTS:	AMERICAN COFFEE URN
DO NOT SCALE DRAWING			

Please Fill in the desired measurements below:

REVISIONS			
ZONE	REV.	DESCRIPTION	DATE
B		MOVED HOLES DOWN 3/16"	04/2012



Please Circle the desired options Below:

MATERIAL :
 4" X .060 WALL STAINLESS STEEL
 4" X .060 WALL BRASS TUBING

FINISHES :
 #4 BRUSHED ON ALL TYPES
 #8 POLISHED ON ALL TYPES

Proprietary and Confidential
 The Information contained in this drawing is the sole property of ACU Precision Sheet Metal. Any reproduction in part or as a whole without the written permission of ACU Precision Sheet Metal is Prohibited.
 ACU Precision Sheet Metal is:
 American Coffee Urn Manufacturing Co., Inc.

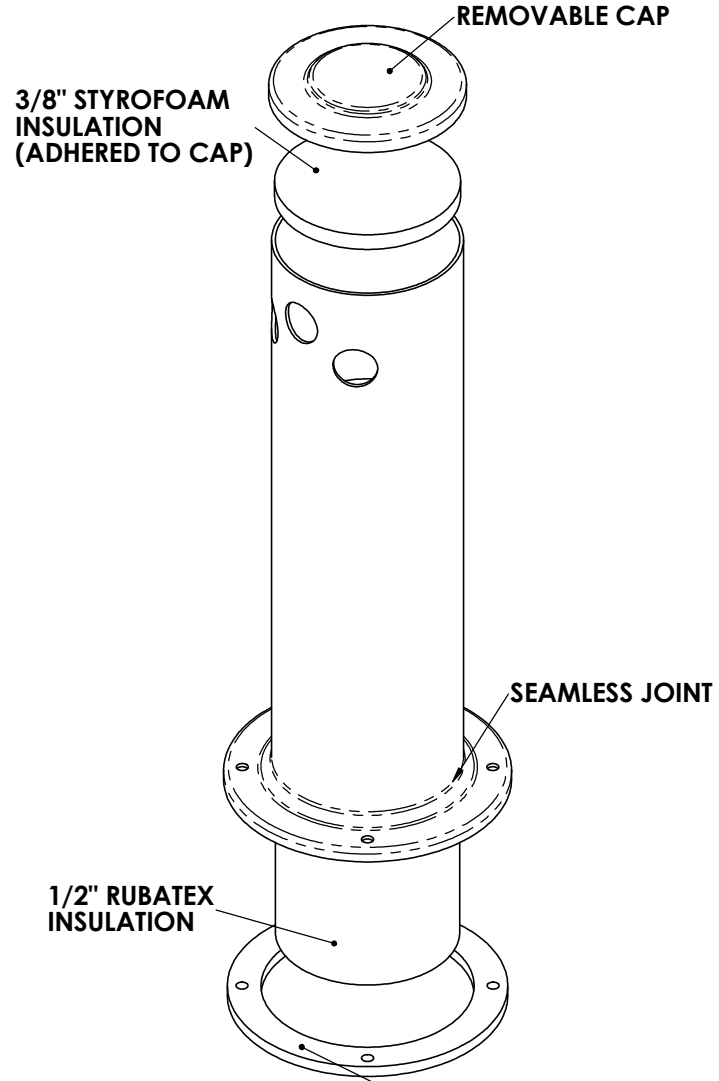
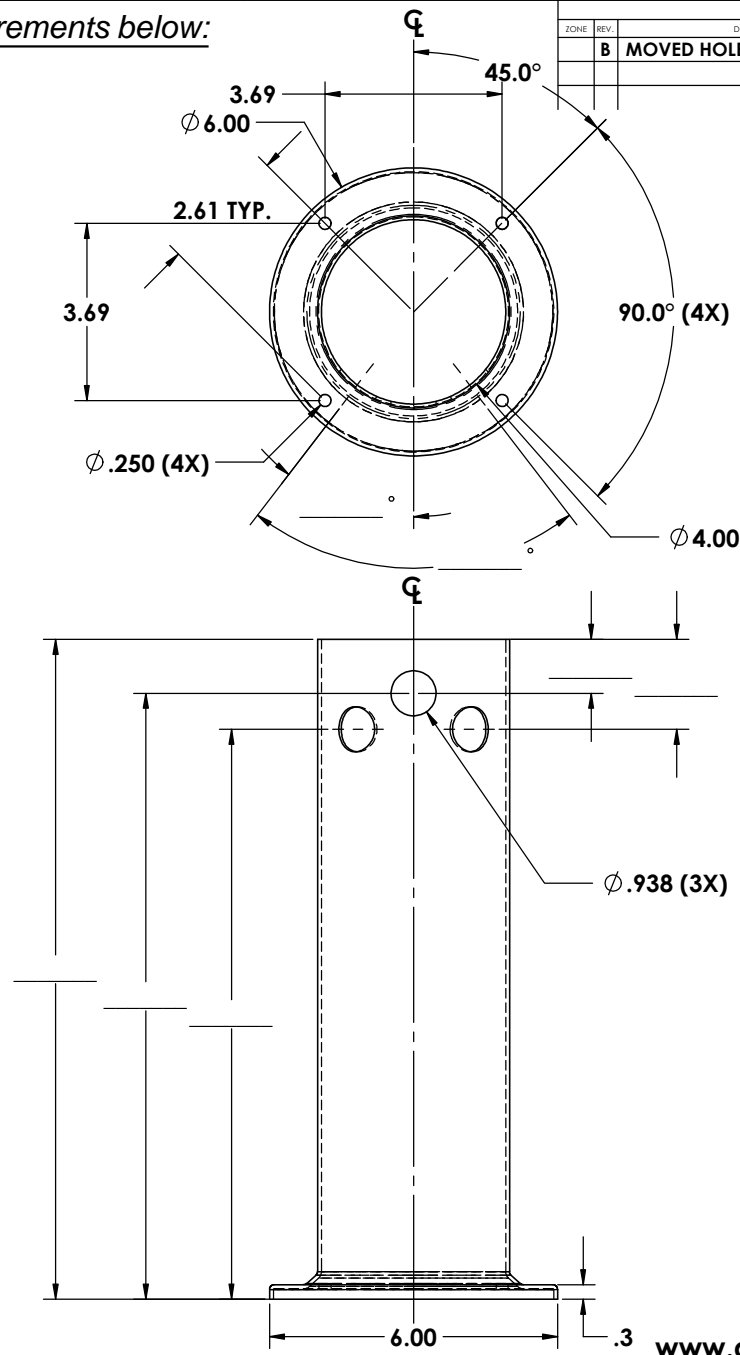
	NAME	DATE
DRAWN	M. Johs	06/14
MATERIAL	SEE NOTES	
FINISH	SEE NOTES	COMMENTS:

TITLE:
4" DRAFT ARM ASSEMBLY 2 HOLE, CUSTOM
AMERICAN COFFEE URN

www.acumetalfab.com

Please Fill in the desired measurements below:

REVISIONS		
ZONE	REV.	DESCRIPTION
B		MOVED HOLES DOWN 3/16"
		DATE
		04/2012



Please Circle the desired options Below: 1/4" NEOPRENE GASKET

- MATERIAL :**
 4" X .060 WALL STAINLESS STEEL
 4" X .060 WALL BRASS TUBING
- FINISHES :**
 #4 BRUSHED ON ALL TYPES
 #8 POLISHED ON ALL TYPES

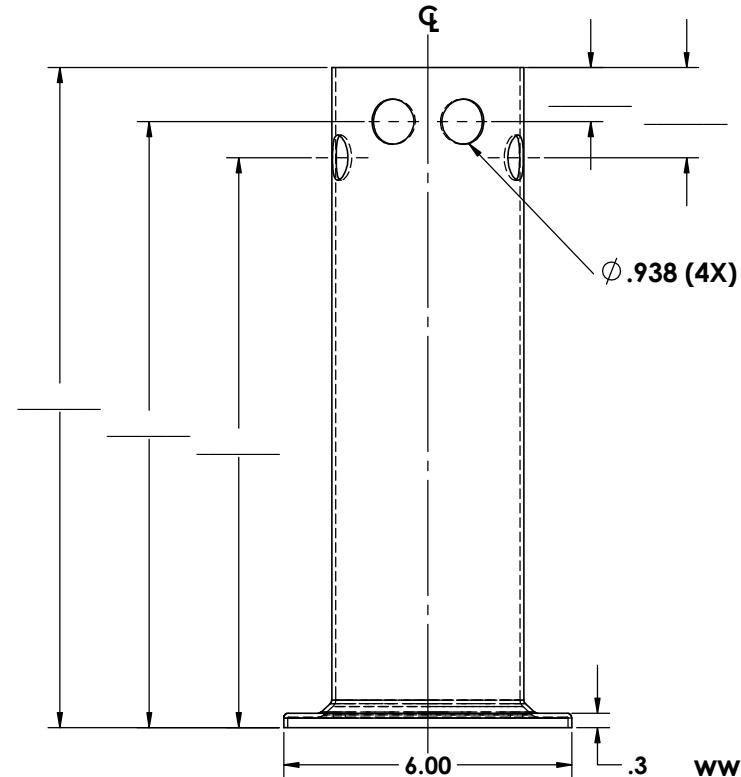
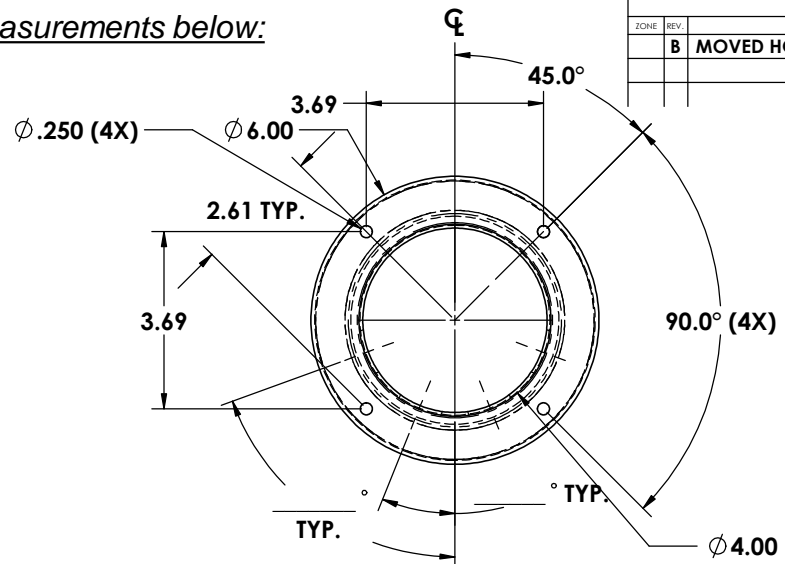
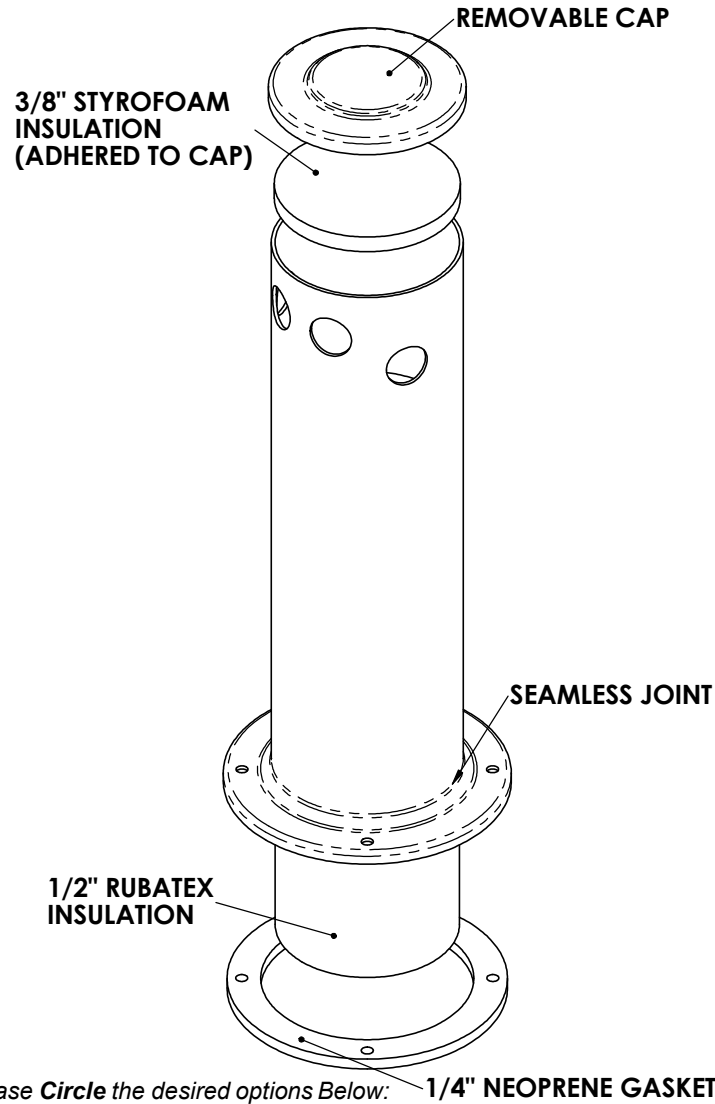
www.acumetalfab.com

Proprietary and Confidential The Information contained in this drawing is the sole property of ACU Precision Sheet Metal. Any reproduction in part or as a whole without the written permission of ACU Precision Sheet Metal is Prohibited. ACU Precision Sheet Metal is: American Coffee Urn Manufacturing Co., Inc.	NAME	DATE	TITLE: 4" DRAFT ARM ASSEMBLY 3 HOLE, CUSTOM	
	DRAWN	M. Johs		06/14
	MATERIAL	SEE NOTES		AMERICAN COFFEE URN
	FINISH	SEE NOTES	COMMENTS:	

DO NOT SCALE DRAWING

Please **Fill in** the desired measurements below:

REVISIONS			
ZONE	REV.	DESCRIPTION	DATE
	B	MOVED HOLES DOWN 3/16"	04/2012



Please **Circle** the desired options Below:

- MATERIAL :**
- 4" X .060 WALL STAINLESS STEEL
 - 4" X .060 WALL BRASS TUBING
- FINISHES :**
- #4 BRUSHED ON ALL TYPES
 - #8 POLISHED ON ALL TYPES

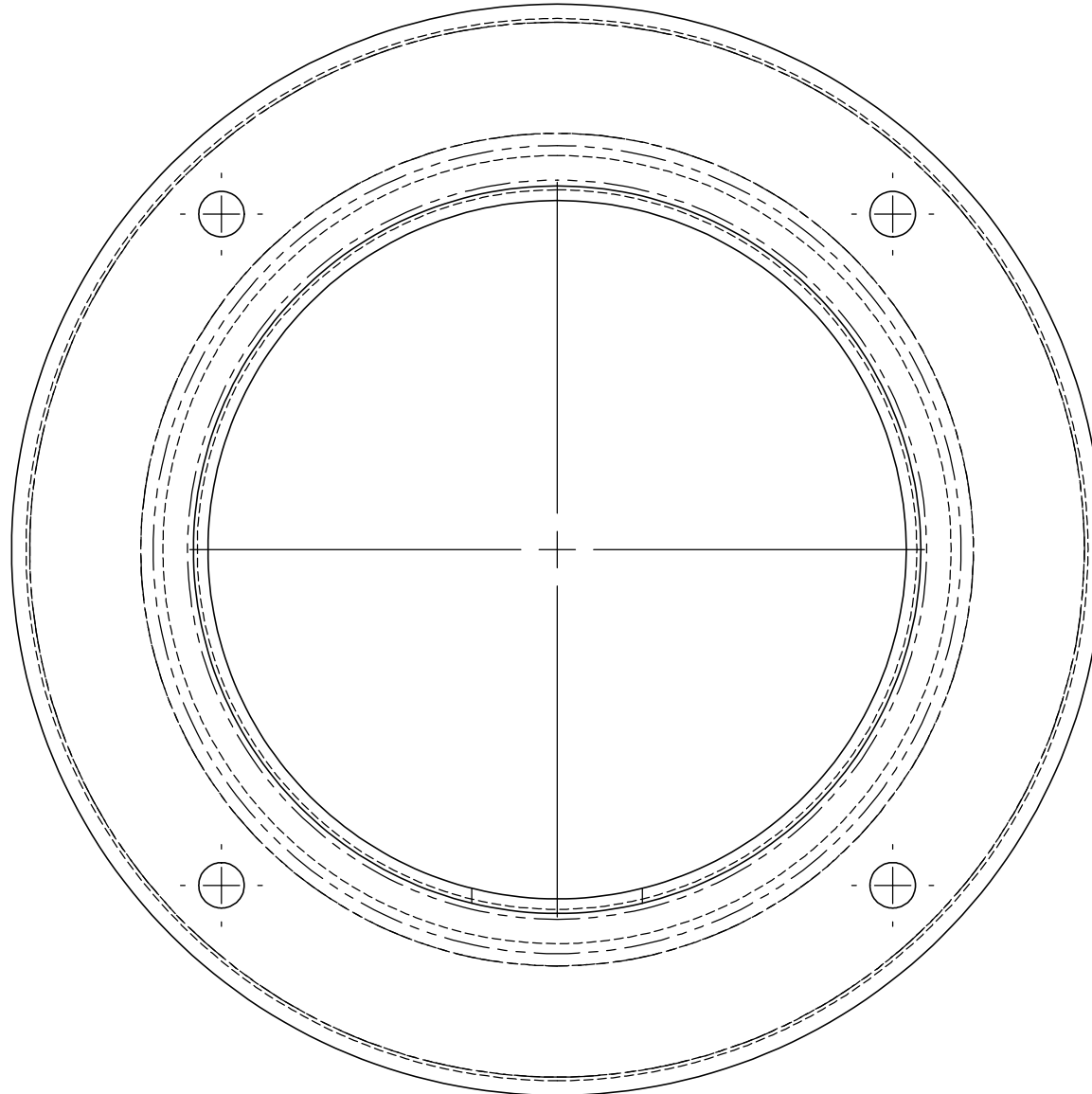
www.acumetalfab.com

Proprietary and Confidential
 The Information contained in this drawing is the sole property of ACU Precision Sheet Metal. Any reproduction in part or as a whole without the written permission of ACU Precision Sheet Metal is Prohibited.
 ACU Precision Sheet Metal is:
 American Coffee Urn Manufacturing Co., Inc.

	NAME	DATE
DRAWN	M. Johs	06/14
MATERIAL	SEE NOTES	
FINISH	SEE NOTES	COMMENTS:

TITLE:
4" DRAFT ARM ASSEMBLY 4 HOLE, CUSTOM
AMERICAN COFFEE URN

4" PEDESTAL AND DRAFT ARM TEMPLATE



SCALE 1:1

Set printer settings to : Page Scaling = "None"