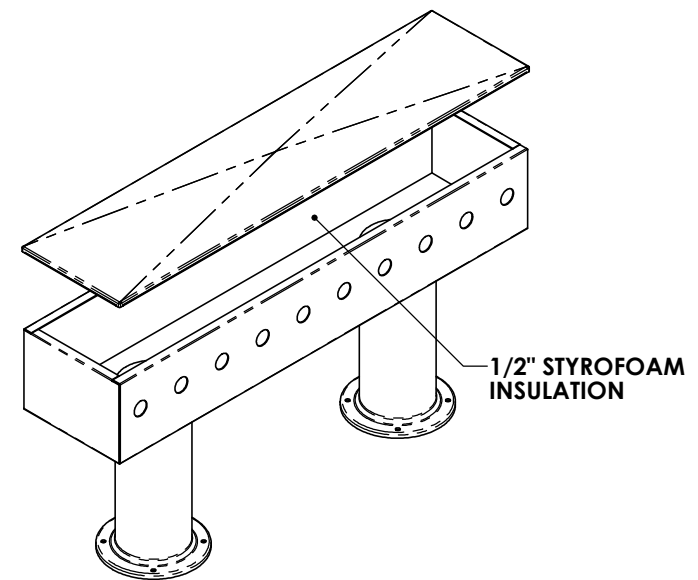
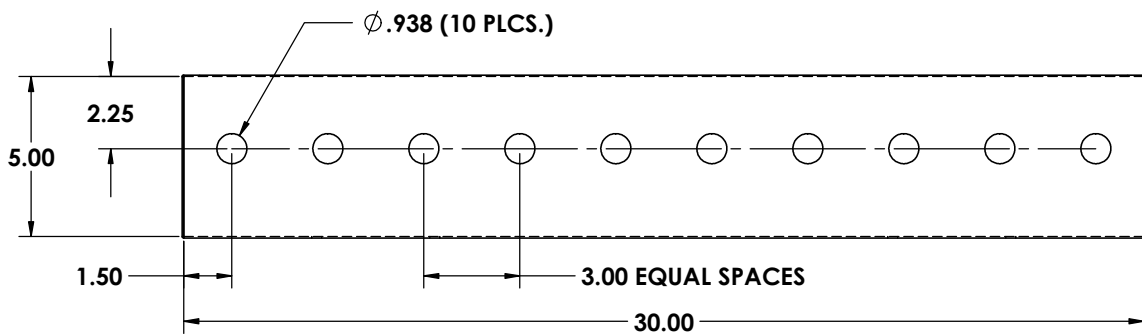
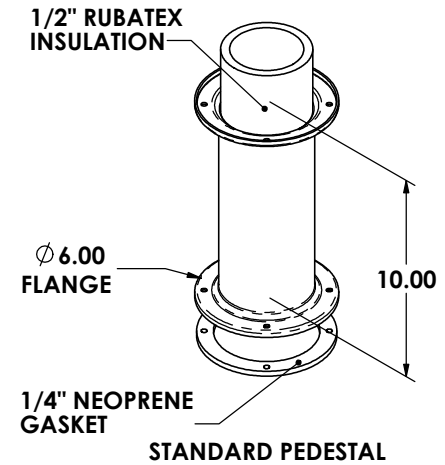
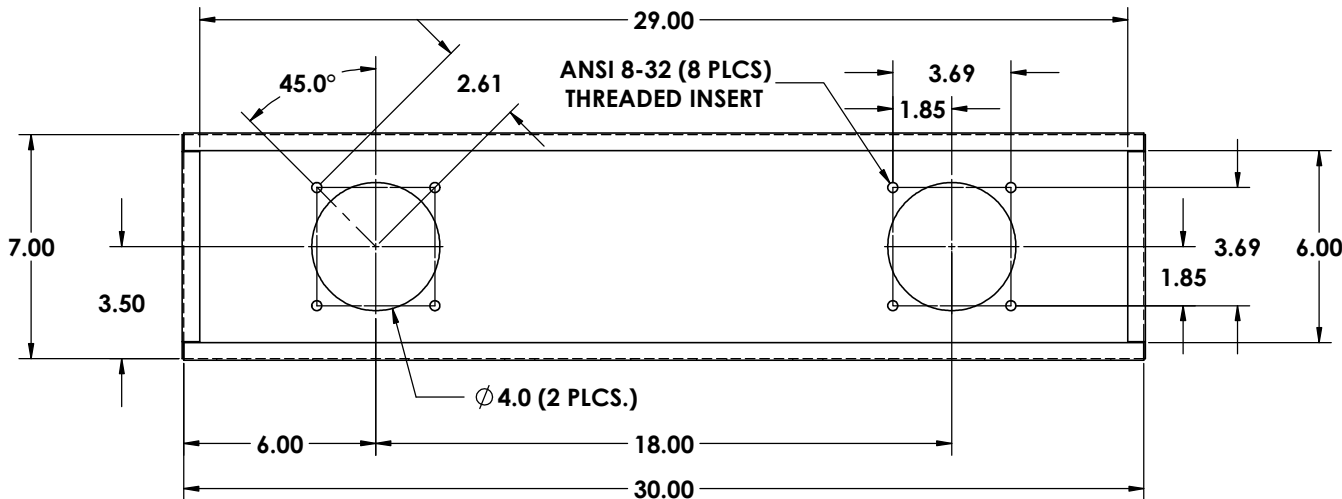


REV. NO.		REVISIONS	DATE	APPROVED



Please **Circle** the desired options Below:

ALL DIMENSIONS ARE INSIDE DIMENSIONS
UNLESS OTHERWISE NOTED

- MATERIAL :**
- 18 GAUGE STAINLESS STEEL
 - 16 GAUGE STAINLESS STEEL
 - 16 GAUGE BRASS
- FINISHES :**
- #2B SATIN ON ALL TYPES
 - #4 BRUSHED ON ALL TYPES
 - #8 POLISHED ON ALL TYPES

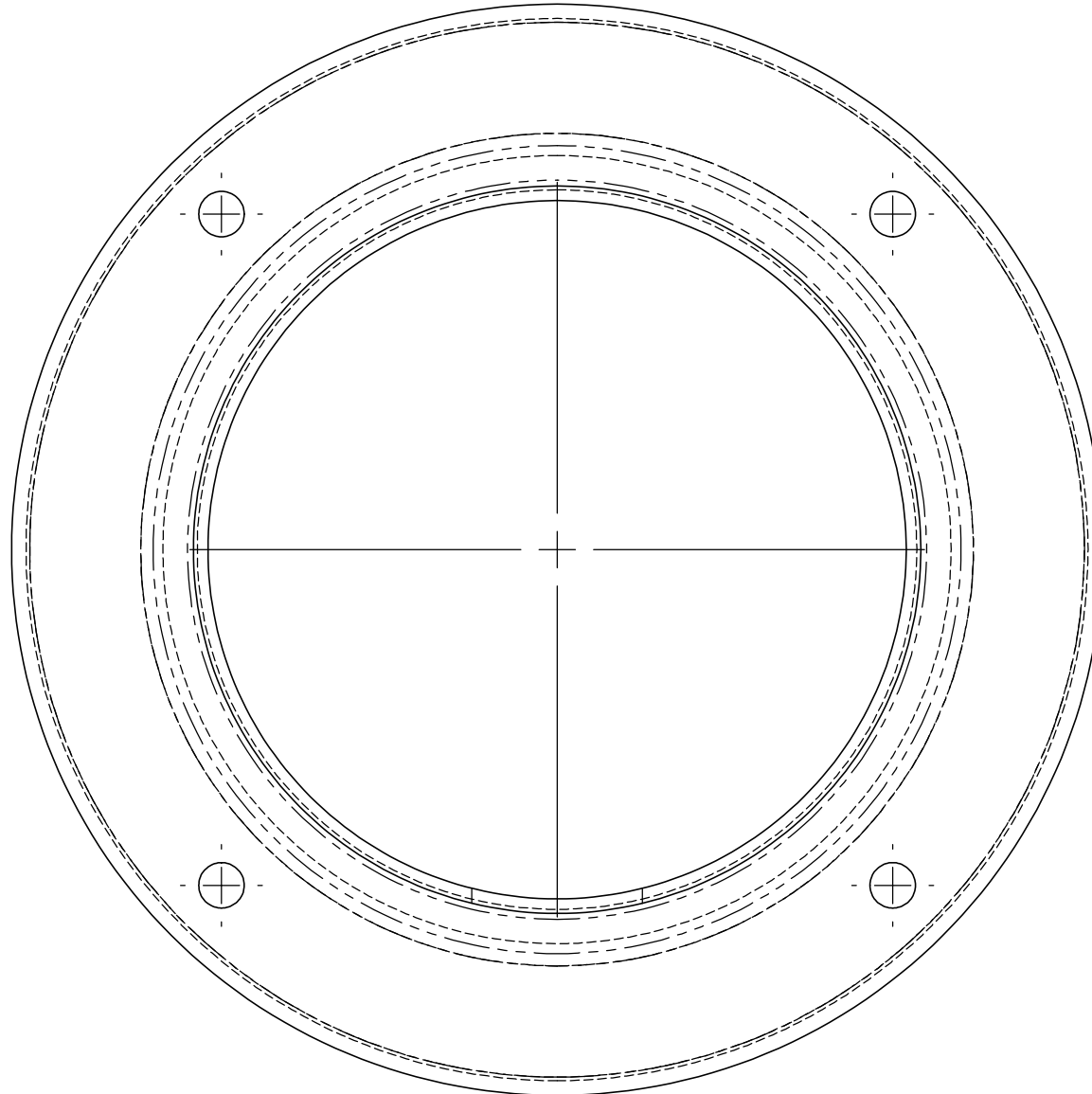
American Coffee
Urn Manufacturing Co., Inc. *Since 1959*
Precision Sheet Metal
Design ♦ Engineering ♦ Fabrication
www.acumetalfab.com

Proprietary and Confidential
The Information contained in this drawing is the sole property of ACU Precision Sheet Metal. Any reproduction in part or as a whole without the written permission of ACU Precision Sheet Metal is Prohibited.
ACU Precision Sheet Metal is:
American Coffee Urn Manufacturing Co., Inc.

	NAME	DATE
DRAWN	M. Johs	08/14
MATERIAL	SEE NOTES	
FINISH	SEE NOTES	COMMENTS:

TITLE:	4" T-TOWER - NO FACEPLATE DBL PED - SGL SERVICE
AMERICAN COFFEE URN	

4" PEDESTAL AND DRAFT ARM TEMPLATE



SCALE 1:1

Set printer settings to : Page Scaling = "None"