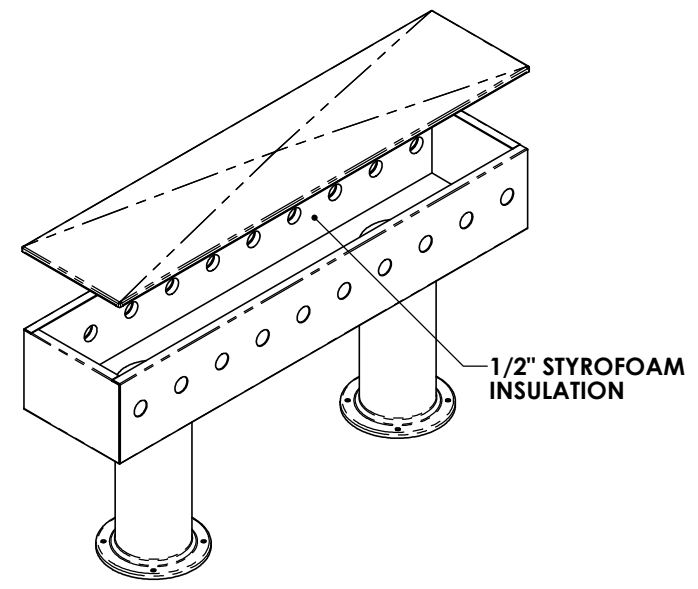
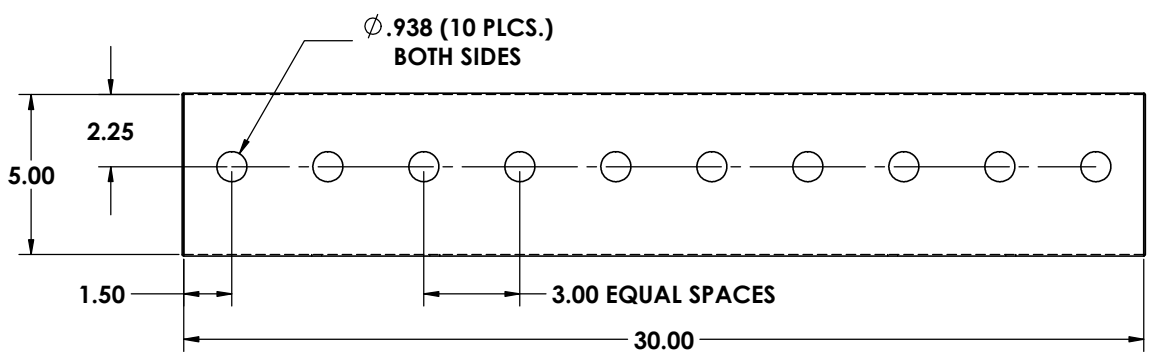
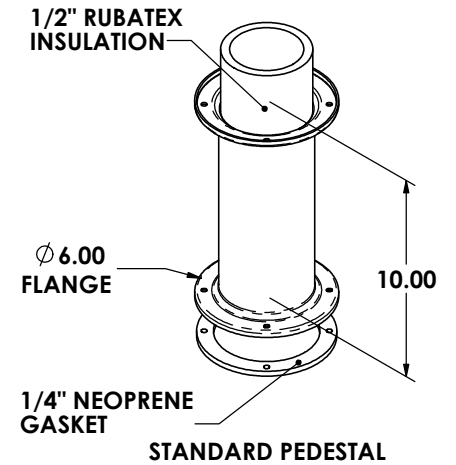
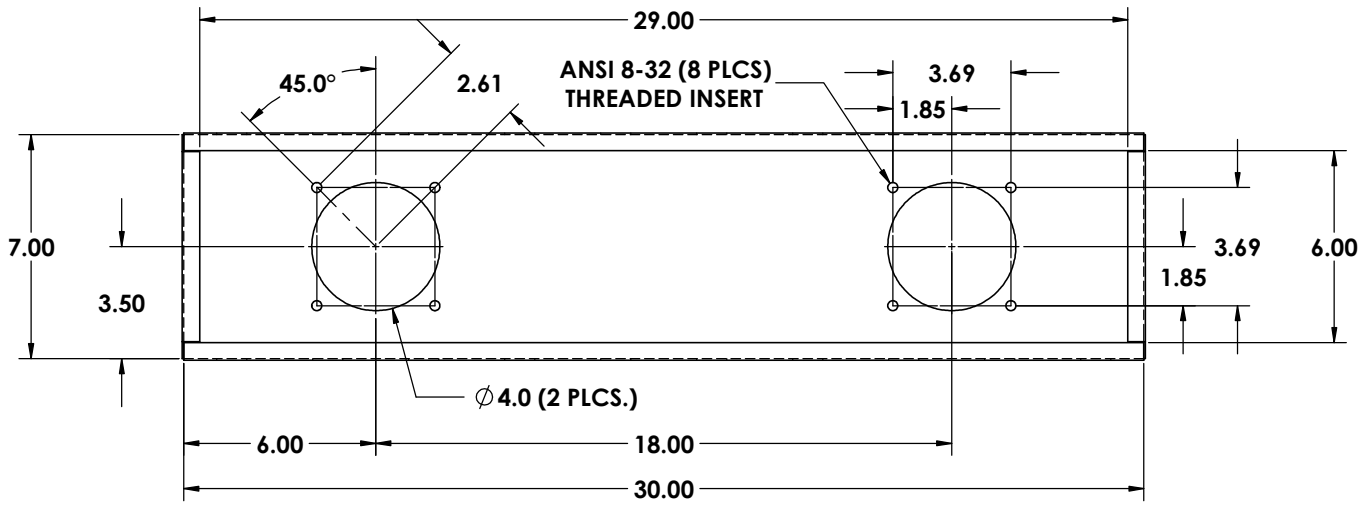


REVISIONS				
ZONE	REV.	DESCRIPTION	DATE	APPROVED



Please **Circle** the desired options Below:

ALL DIMENSIONS ARE INSIDE DIMENSIONS  
UNLESS OTHERWISE NOTED

- MATERIAL :**
- 18 GAUGE STAINLESS STEEL
  - 16 GAUGE STAINLESS STEEL
  - 16 GAUGE BRASS

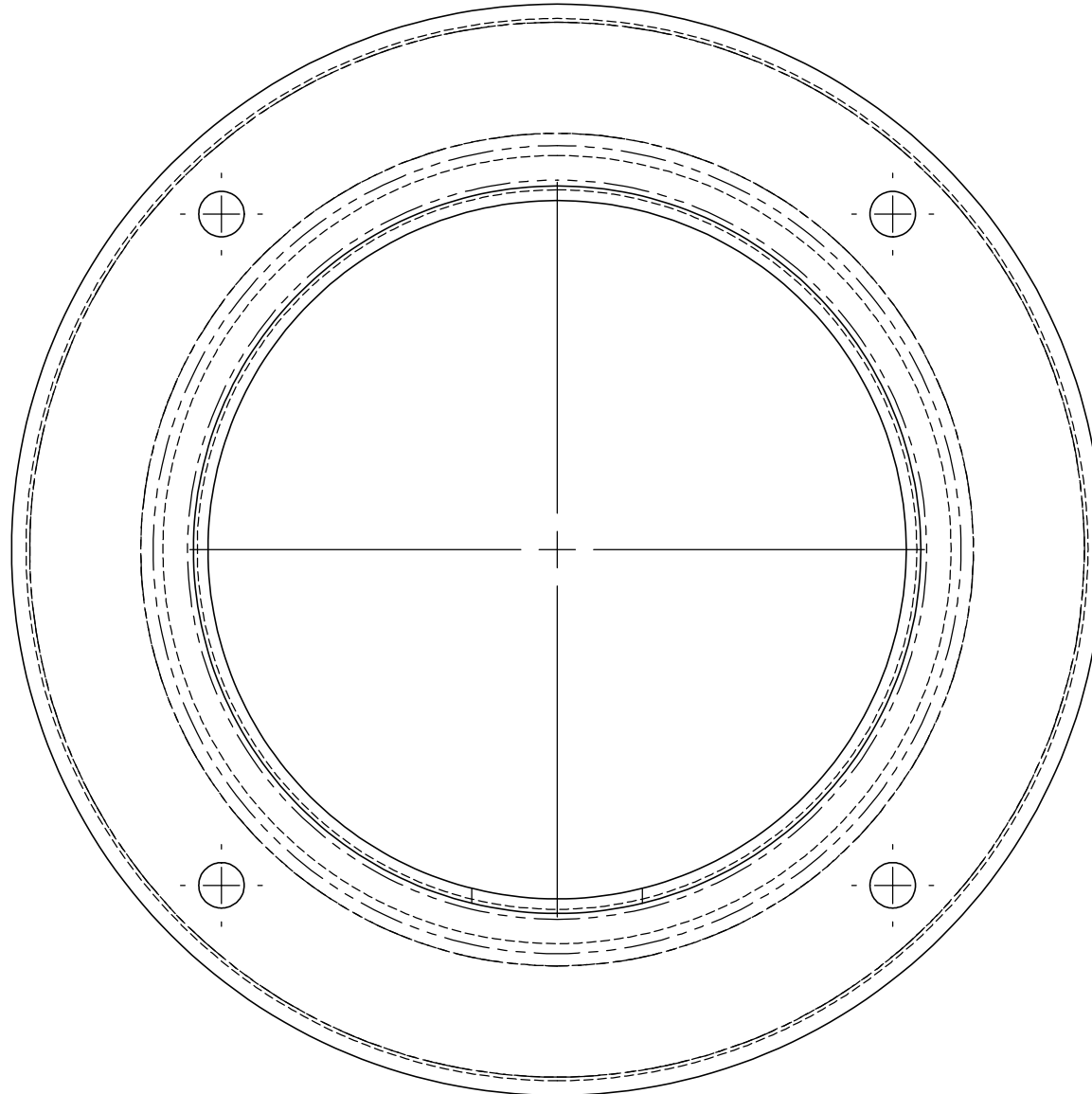
- FINISHES :**
- #2B SATIN ON ALL TYPES
  - #4 BRUSHED ON ALL TYPES
  - #8 POLISHED ON ALL TYPES

**American Coffee**  
**Urn Manufacturing Co., Inc.**  
 Since 1959  
**Precision Sheet Metal**  
 Design ♦ Engineering ♦ Fabrication  
[www.acumetalfab.com](http://www.acumetalfab.com)

PLEASE FILL IN CORRECT MEASUREMENTS WHERE NEEDED!

<b>Proprietary and Confidential</b> The Information contained in this drawing is the sole property of ACU Precision Sheet Metal. Any reproduction in part or as a whole without the written permission of ACU Precision Sheet Metal is Prohibited. ACU Precision Sheet Metal is: American Coffee Urn Manufacturing Co., Inc.	NAME	DATE	TITLE: <b>4" T-TOWER - NO FACEPLATE DBL PED - DBL SERVICE</b>
	DRAWN	M. Johs	
	MATERIAL	SEE NOTES	
FINISH	SEE NOTES	COMMENTS:	

# 4" PEDESTAL AND DRAFT ARM TEMPLATE



**SCALE 1:1**

**Set printer settings to : Page Scaling = "None"**