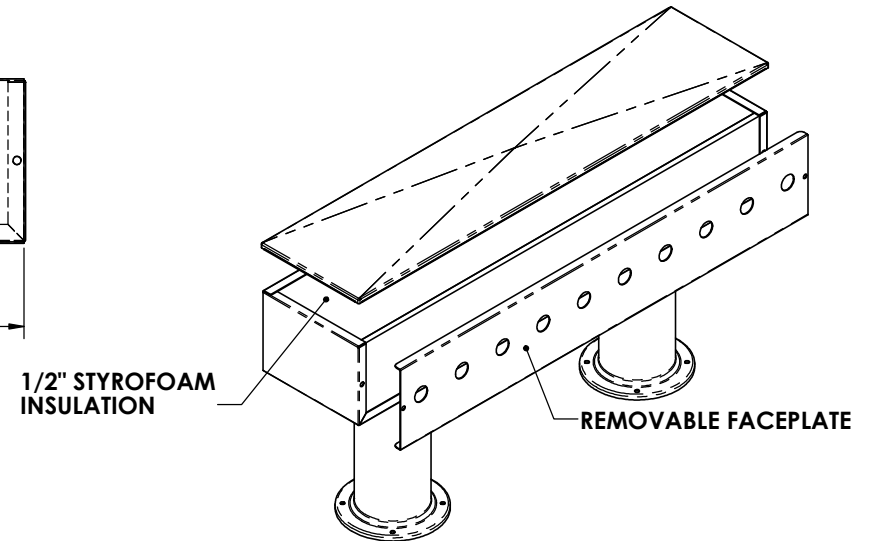
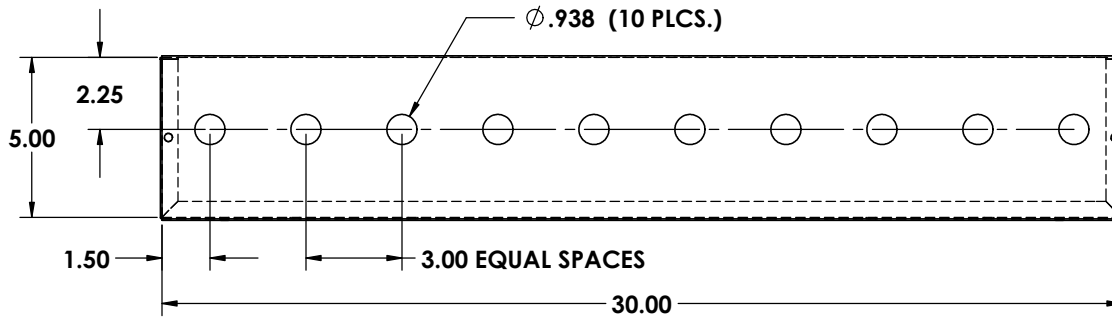
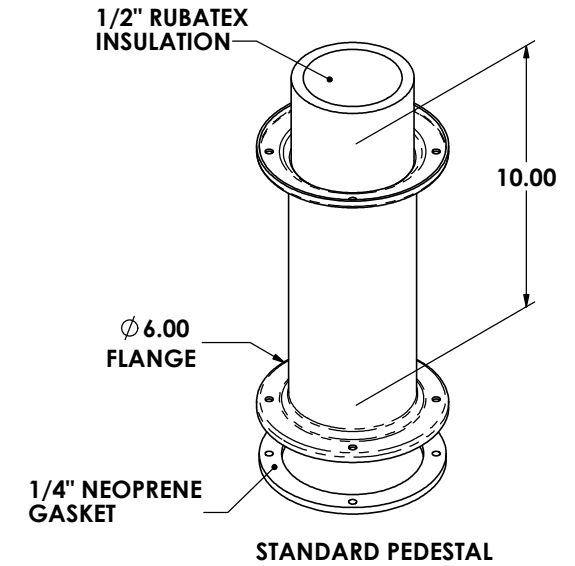
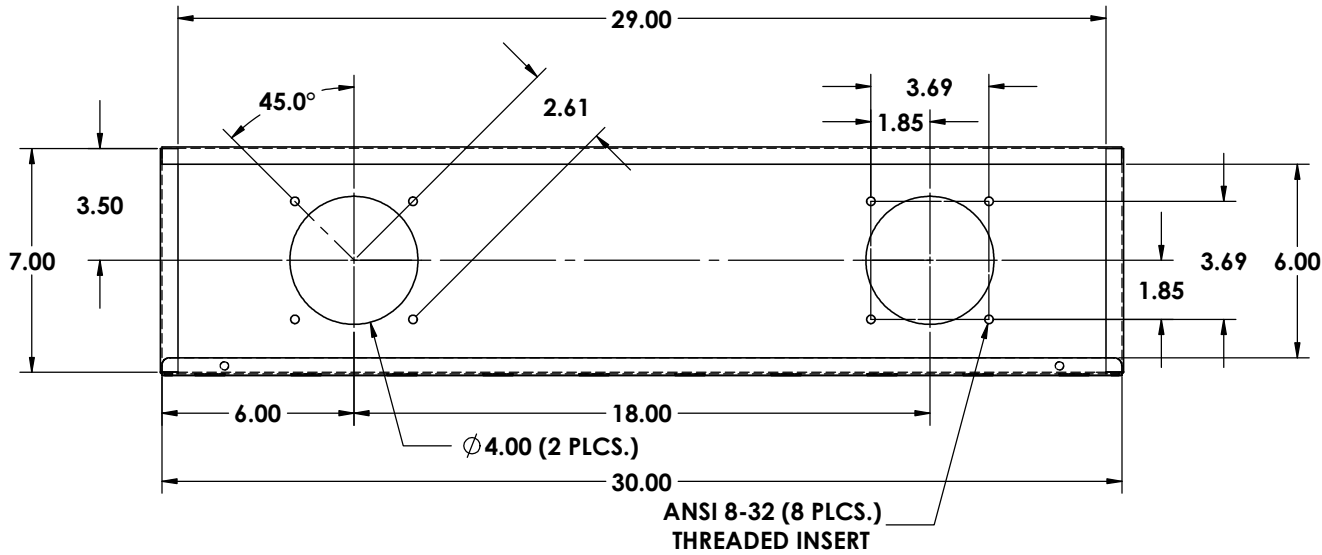


REV. NO.		REVISIONS	DATE	APPROVED
ZONE	REV.	DESCRIPTION		



**Please Circle the desired options Below:**

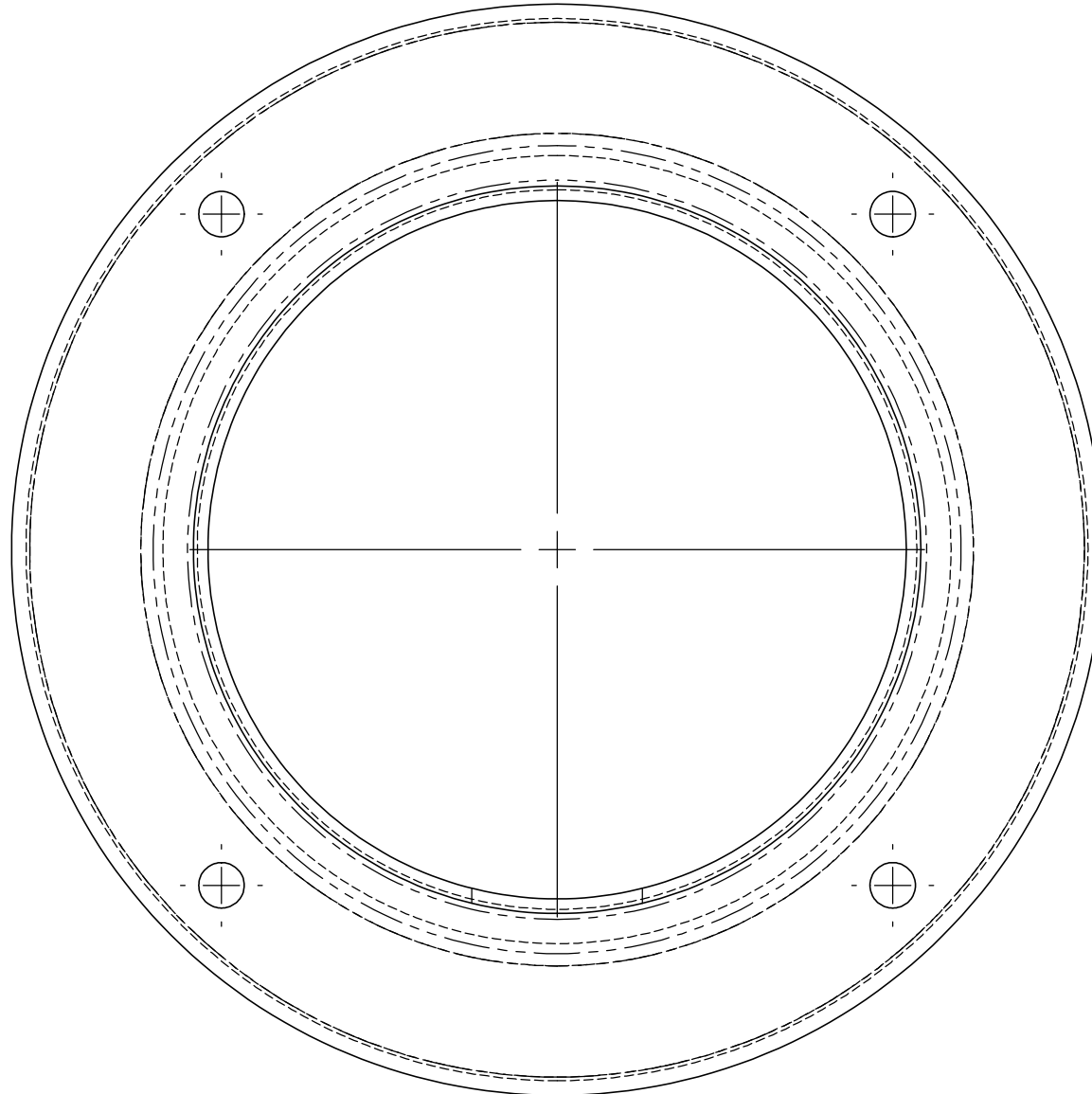
ALL DIMENSIONS ARE INSIDE DIMENSIONS  
UNLESS OTHERWISE NOTED

- MATERIAL :**  
 18 GAUGE STAINLESS STEEL  
 16 GAUGE STAINLESS STEEL  
 16 GAUGE BRASS
- FINISHES :**  
 #2B SATIN ON ALL TYPES  
 #4 BRUSHED ON ALL TYPES  
 #8 POLISHED ON ALL TYPES

**PLEASE FILL IN CORRECT MEASUREMENTS WHERE NEEDED!**

Proprietary and Confidential The Information contained in this drawing is the sole property of ACU Precision Sheet Metal. Any reproduction in part or as a whole without the written permission of ACU Precision Sheet Metal is Prohibited. ACU Precision Sheet Metal is: American Coffee Urn Manufacturing Co., Inc.		NAME <b>M. Johs</b>	DATE <b>08/14</b>	TITLE: <b>4" T-TOWER, W/FACEPLATE DOUBLE PEDESTAL</b>
DRAWN	SEE NOTES		COMMENTS:	<b>AMERICAN COFFEE URN</b>
MATERIAL	SEE NOTES			
FINISH	SEE NOTES			

# 4" PEDESTAL AND DRAFT ARM TEMPLATE



**SCALE 1:1**

**Set printer settings to : Page Scaling = "None"**