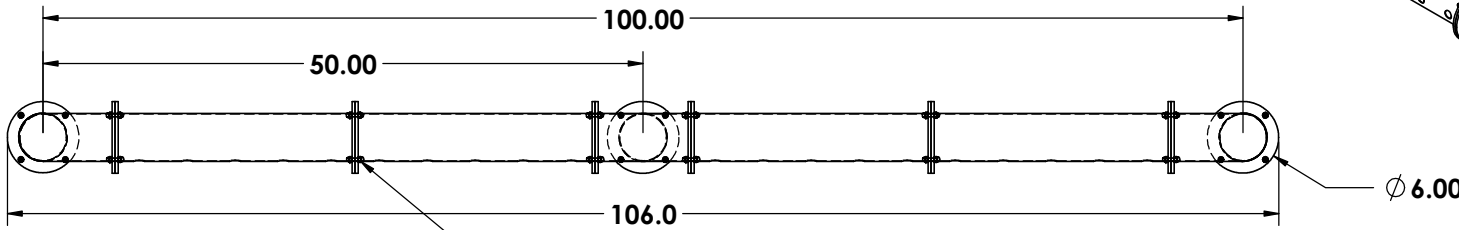


PLEASE FILL IN CORRECT MEASUREMENTS WHERE NEEDED!

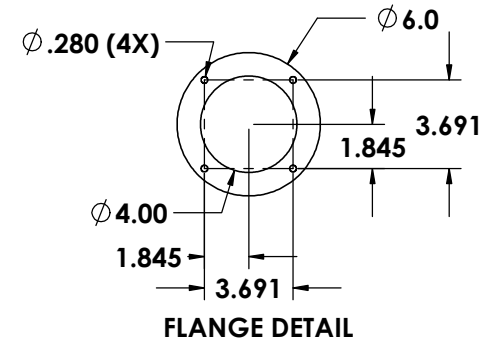
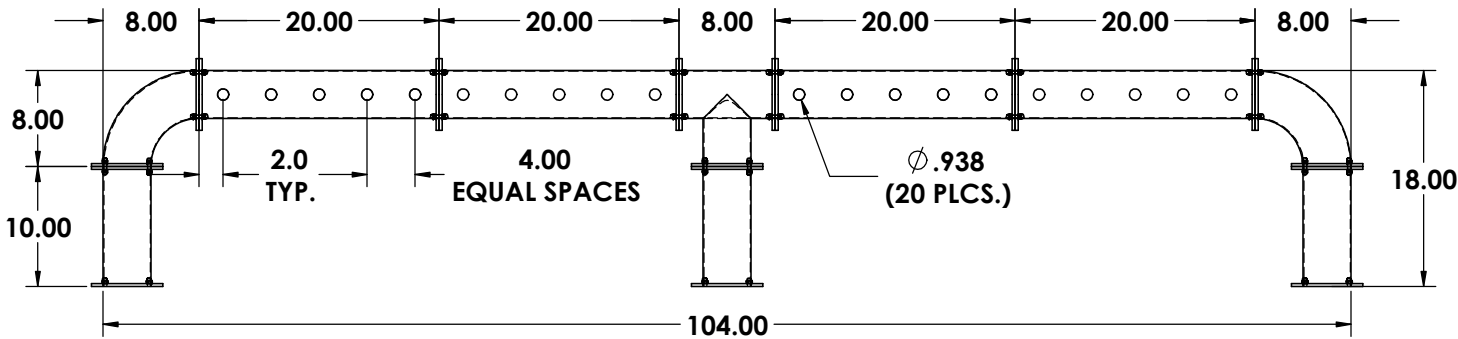
REVISIONS		DATE	APPROVED
ZONE	REV.	DESCRIPTION	



FLANGES FASTENED USING
1/4-20 X .938 ALL THREAD &
1/4-20 ACORN NUT (2X)
AS REQUIRED

STANDARD TOWER MOUNTING USING
1/4-20 X 4.0 ALL THREAD W/
1/4-20 ACORN NUT
AS REQUIRED

OPTIONAL TOWER MOUNTING USING
1/4-20 X 8.0 ALL THREAD W/
1/4-20 ACORN NUT
AS REQUIRED



Please **Circle** the desired options Below:

MATERIAL :

4" X .060" WALL STAINLESS STEEL TUBING
1/4" STAINLESS STEEL PLATE (FLANGE)

FINISHES :

#4 BRUSHED ON ALL TYPES
#8 POLISHED ON ALL TYPES

American Coffee
Urn Manufacturing Co., Inc.
Precision Sheet Metal
Design ♦ Engineering ♦ Fabrication
www.acumetalfab.com

Proprietary and Confidential
The Information contained in this drawing is the sole property of ACU Precision Sheet Metal. Any reproduction in part or as a whole without the written permission of ACU Precision Sheet Metal is Prohibited.
ACU Precision Sheet Metal is:
American Coffee Urn Manufacturing Co., Inc.

	NAME	DATE
DRAWN	M. Johs	08/14
MATERIAL	SEE NOTES	
FINISH	SEE NOTES	COMMENTS:

TITLE:	4" BRIDGE TOWER W/ CENTER "T" 20 HOLE MULTIPLE SECTION
	AMERICAN COFFEE URN