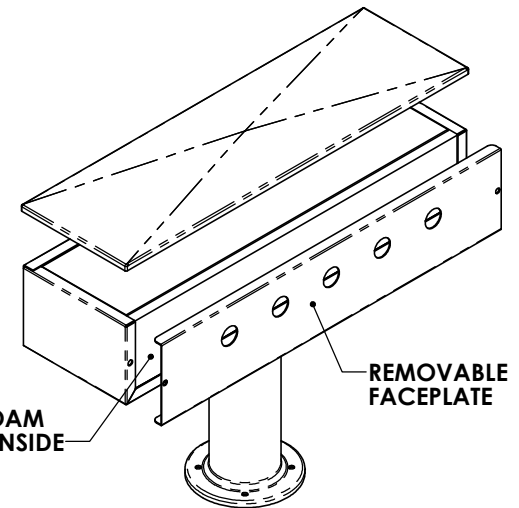
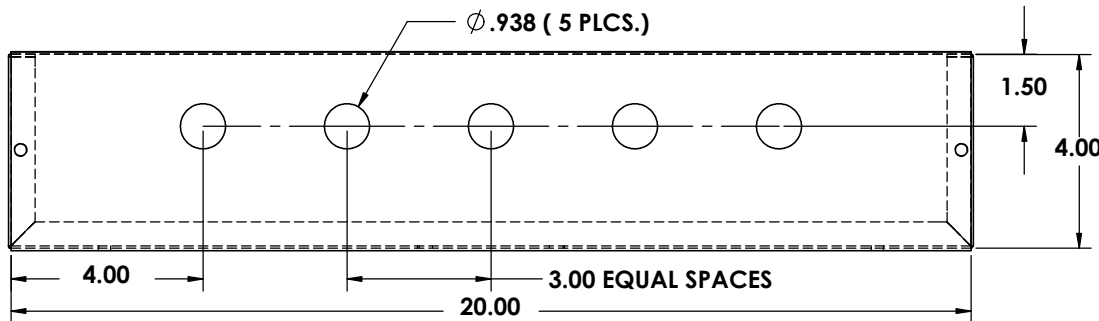
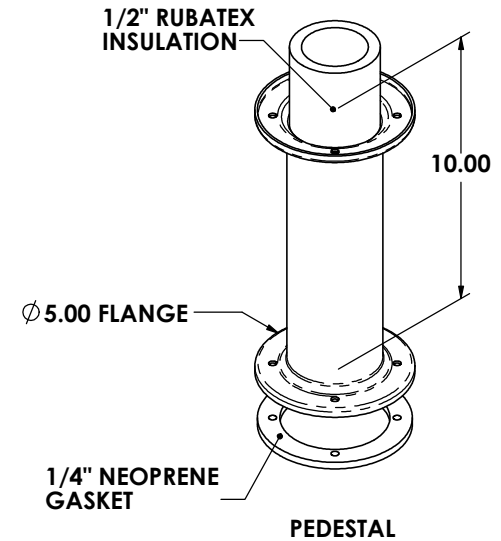
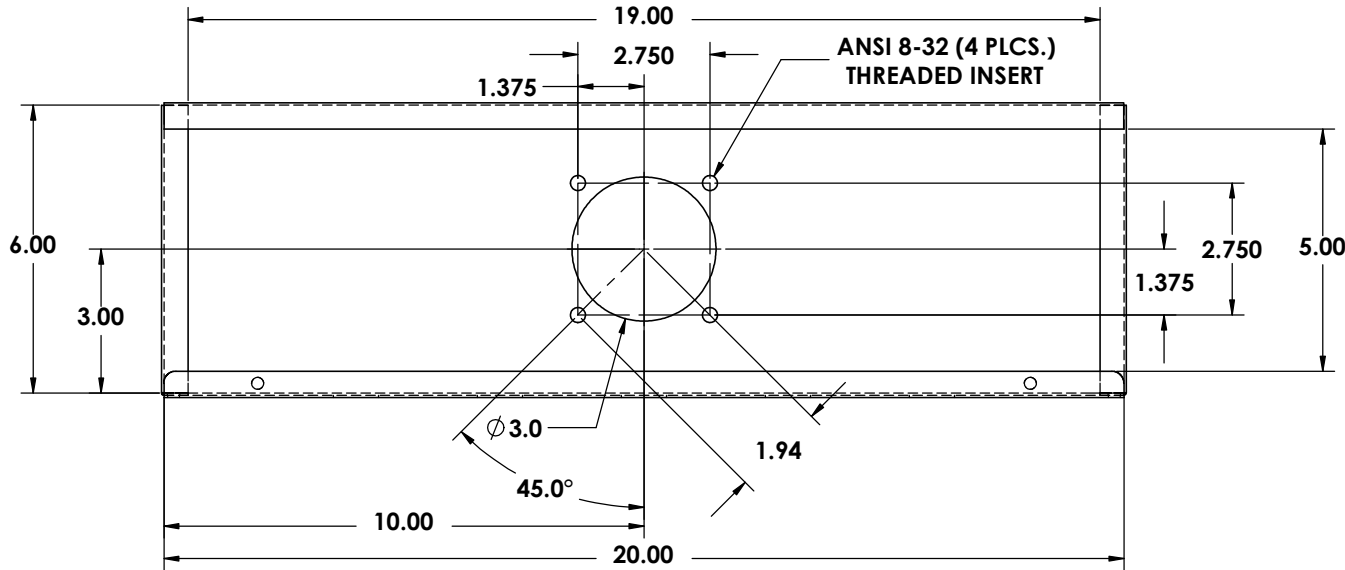


PLEASE FILL IN CORRECT MEASUREMENTS WHERE NEEDED!

REV. NO.		REVISIONS	DATE	APPROVED
ZONE	REV.	DESCRIPTION		



*Please Circle the desired options Below:*

ALL DIMENSIONS ARE INSIDE DIMENSIONS  
 UNLESS OTHERWISE NOTED

MATERIAL :

- 18 GAUGE STAINLESS STEEL
- 16 GAUGE STAINLESS STEEL
- 16 GAUGE BRASS

FINISHES :

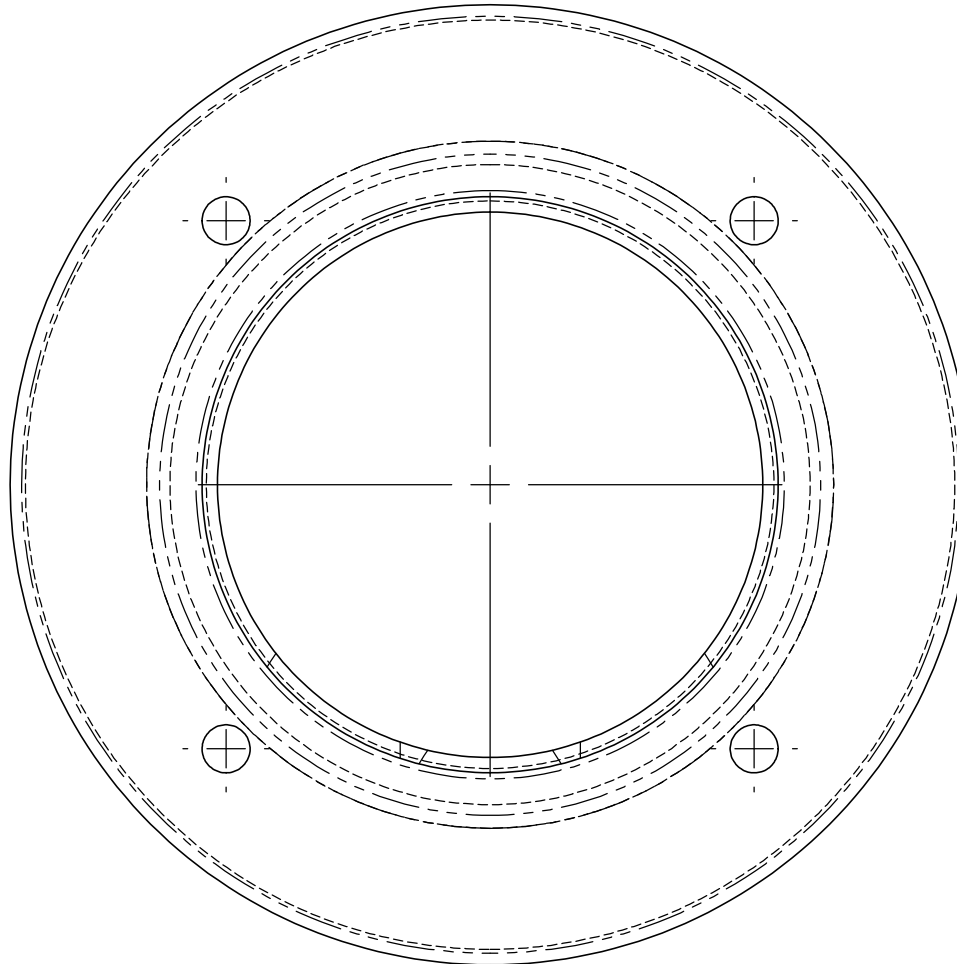
- #2B SATIN ON ALL TYPES
- #4 BRUSHED ON ALL TYPES
- #8 POLISHED ON ALL TYPES

[www.acumetalfab.com](http://www.acumetalfab.com)

**Proprietary and Confidential**  
 The Information contained in this drawing is the sole property of ACU Precision Sheet Metal. Any reproduction in part or as a whole without the written permission of ACU Precision Sheet Metal is Prohibited.  
 ACU Precision Sheet Metal is:  
 American Coffee Urn Manufacturing Co., Inc.

	NAME	DATE	TITLE:
DRAWN	M. Johs	07/14	<b>3" T-TOWER, W/FACEPLATE SINGLE PEDESTAL CUSTOM</b>
MATERIAL	SEE NOTES		
FINISH	SEE NOTES	COMMENTS:	<b>AMERICAN COFFEE URN</b>
DO NOT SCALE DRAWING			

## 3" PEDESTAL AND DRAFT ARM TEMPLATE



**SCALE 1:1**

**Set printer settings to : Page Scaling = "None"**