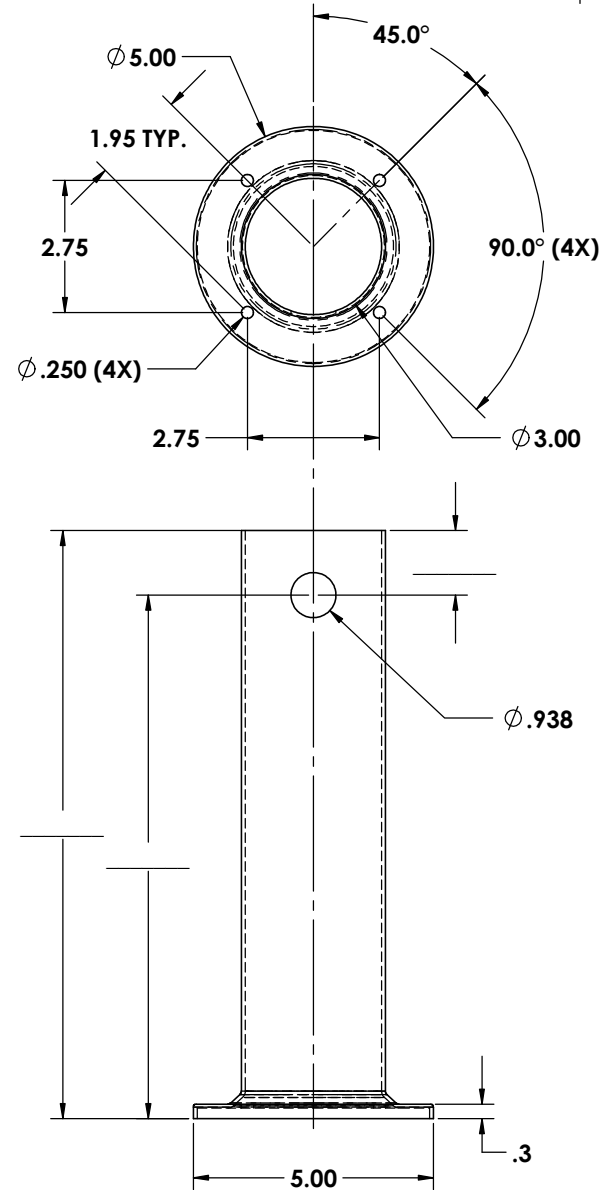


Please **Fill in** the desired measurements below:

ZONE		REV.	REVISIONS	DATE	APPROVED
			DESCRIPTION		



Please **Circle** the desired options Below:

- MATERIAL :**
 3" X .060 WALL STAINLESS STEEL
 3" X .060 WALL BRASS TUBING
- FINISHES :**
 #4 BRUSHED ON ALL TYPES
 #8 POLISHED ON ALL TYPES

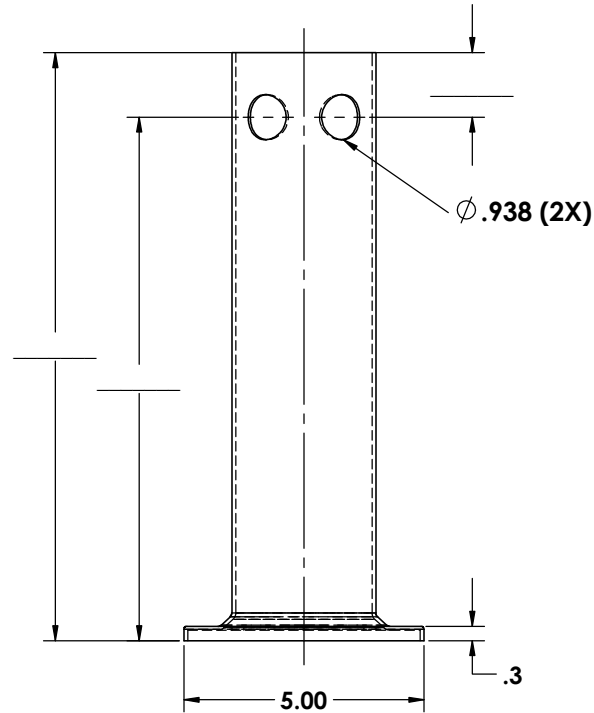
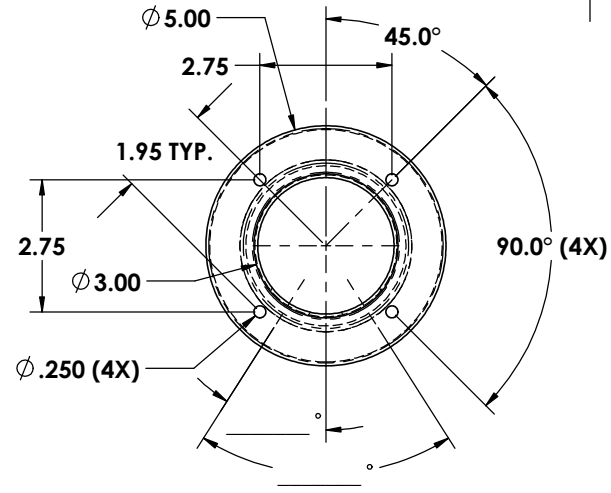
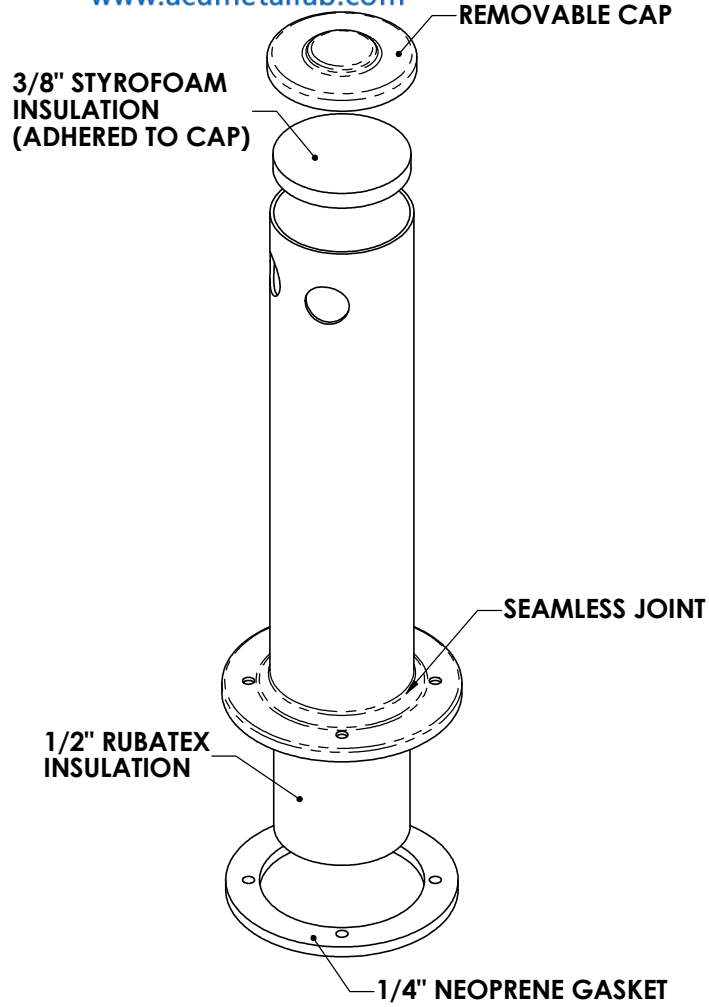
www.acumetalfab.com

Proprietary and Confidential
 The Information contained in this drawing is the sole property of ACU Precision Sheet Metal. Any reproduction in part or as a whole without the written permission of ACU Precision Sheet Metal is Prohibited.
 ACU Precision Sheet Metal is:
 American Coffee Urn Manufacturing Co., Inc.

	NAME	DATE	TITLE:
DRAWN	M. Johs	06/14	3" DRAFT ARM ASSEMBLY 1 HOLE, CUSTOM
MATERIAL	SEE NOTES		
FINISH	SEE NOTES	COMMENTS:	AMERICAN COFFEE URN
DO NOT SCALE DRAWING			

Please **Fill in** the desired measurements below:

ZONE		REV.	REVISIONS	DATE	APPROVED
			DESCRIPTION		



Please **Circle** the desired options Below:

MATERIAL :
 3" X .060 WALL STAINLESS STEEL
 3" X .060 WALL BRASS TUBING

FINISHES :
 #4 BRUSHED ON ALL TYPES
 #8 POLISHED ON ALL TYPES

www.acumetalfab.com

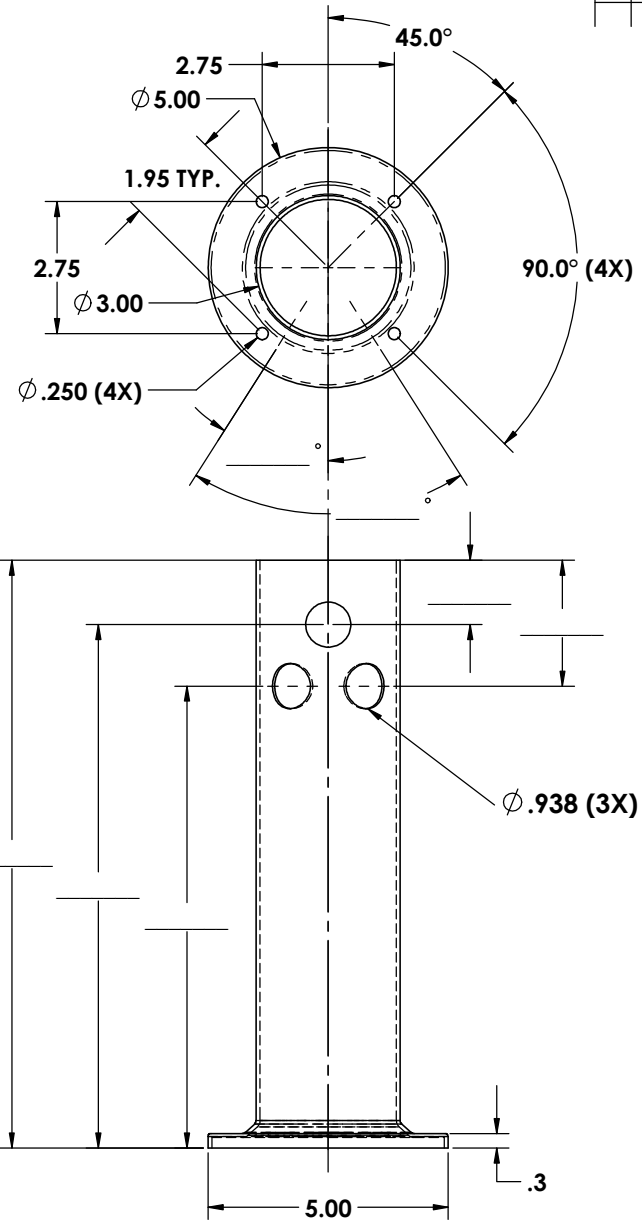
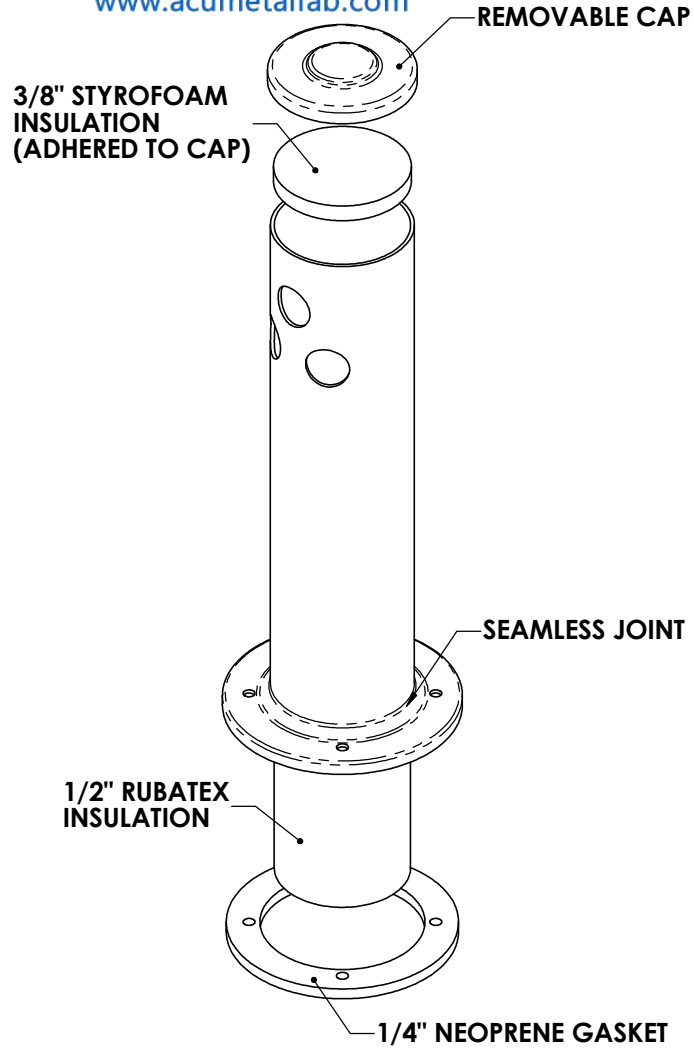
Proprietary and Confidential
 The Information contained in this drawing is the sole property of ACU Precision Sheet Metal. Any reproduction in part or as a whole without the written permission of ACU Precision Sheet Metal is Prohibited.
 ACU Precision Sheet Metal is:
 American Coffee Urn Manufacturing Co., Inc.

	NAME	DATE
DRAWN	M. Johs	06/14
MATERIAL	SEE NOTES	
FINISH	SEE NOTES	COMMENTS:

TITLE:
3" DRAFT ARM ASSEMBLY 2 HOLE, CUSTOM
AMERICAN COFFEE URN

Please **Fill in** the desired measurements below:

ZONE		REV.	REVISIONS	DATE	APPROVED
			DESCRIPTION		



Please **Circle** the desired options Below:

- MATERIAL :**
 3" X .060 WALL STAINLESS STEEL
 3" X .060 WALL BRASS TUBING
- FINISHES :**
 #4 BRUSHED ON ALL TYPES
 #8 POLISHED ON ALL TYPES

www.acumetalfab.com

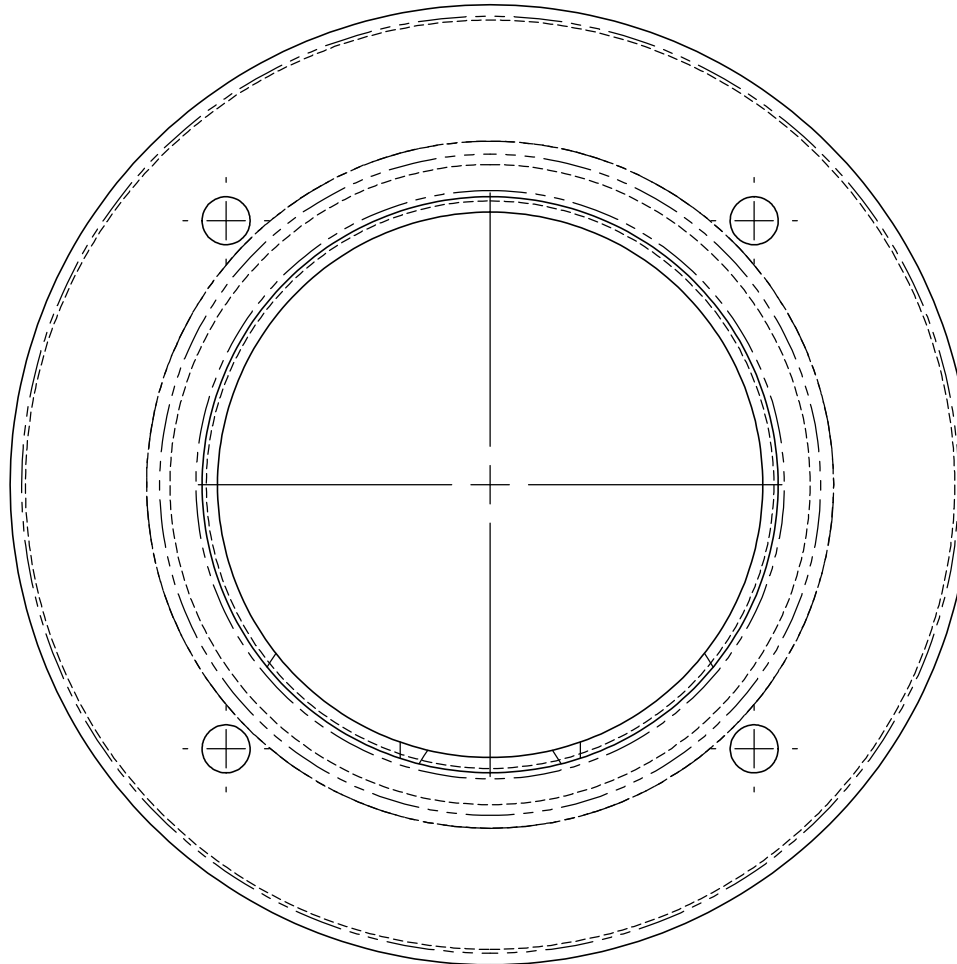
Proprietary and Confidential
 The Information contained in this drawing is the sole property of ACU Precision Sheet Metal. Any reproduction in part or as a whole without the written permission of ACU Precision Sheet Metal is Prohibited.
 ACU Precision Sheet Metal is:
 American Coffee Urn Manufacturing Co., Inc.

	NAME	DATE
DRAWN	M. Johs	06/14
MATERIAL	SEE NOTES	
FINISH	SEE NOTES	COMMENTS:

TITLE:
3" DRAFT ARM ASSEMBLY 3 HOLE, CUSTOM
AMERICAN COFFEE URN

DO NOT SCALE DRAWING

3" PEDESTAL AND DRAFT ARM TEMPLATE



SCALE 1:1

Set printer settings to : Page Scaling = "None"