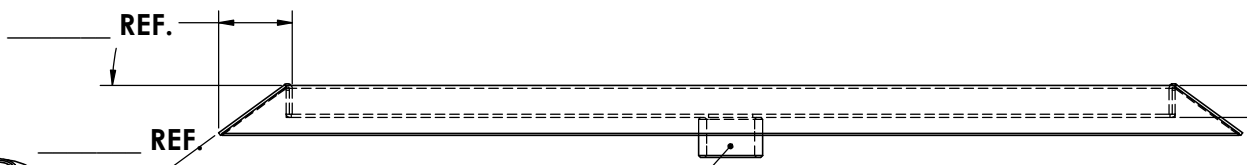
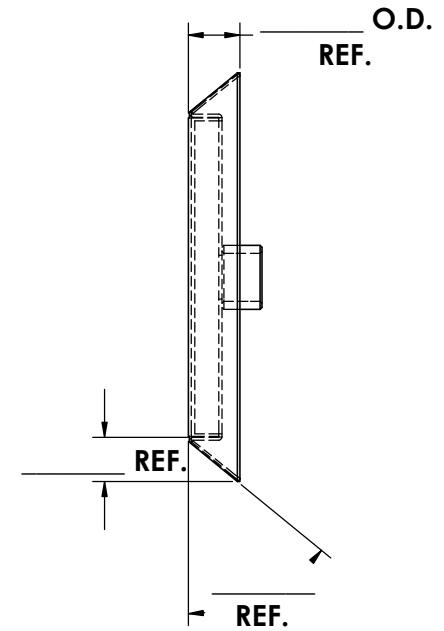
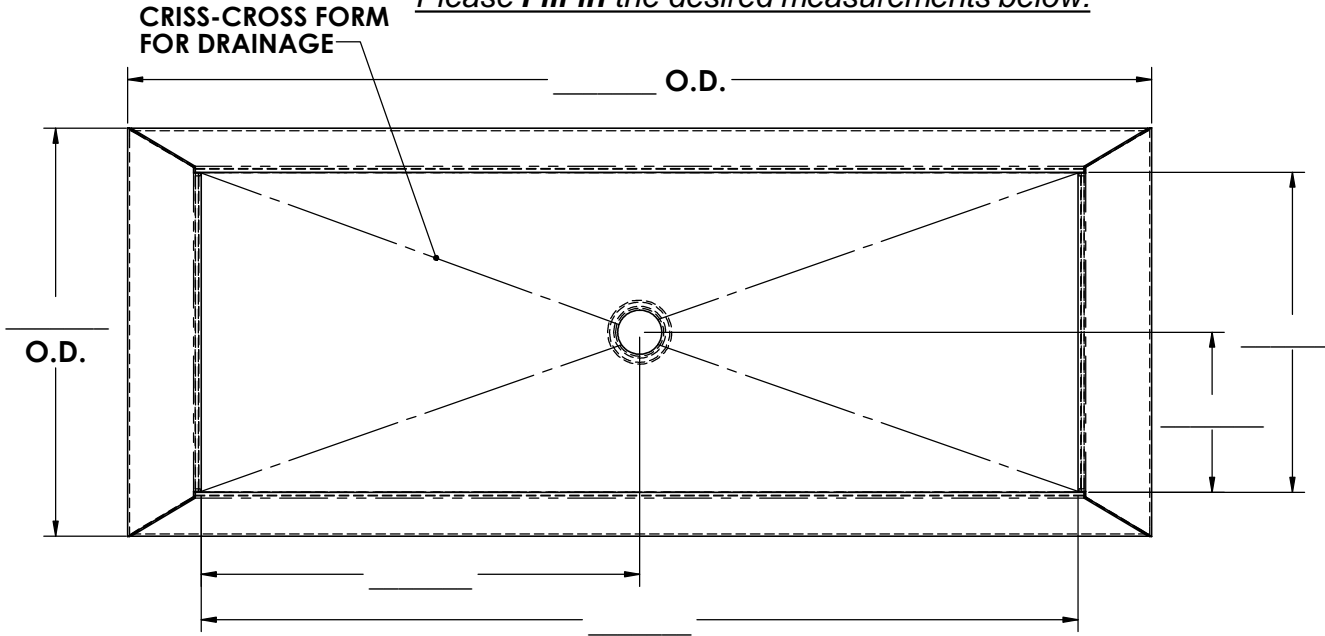
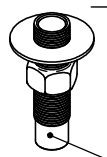


REVISIONS				
ZONE	REV.	DESCRIPTION	DATE	APPROVED

Please **Fill in** the desired measurements below:



Please **Circle** the desired screen below:

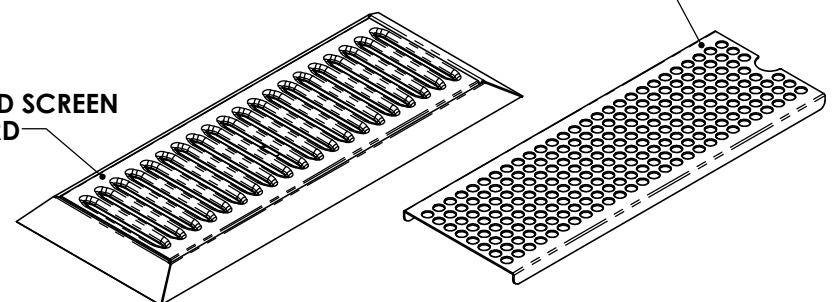


5/8-18 X 3" LONG  
BRASS DRAIN W/HARDWARE

5/8-18 THREADED DRAIN FITTING

PERFORATED  
SCREEN OPTIONAL

LOUVERED SCREEN  
STANDARD



ALL DIMENSIONS ARE INSIDE DIMENSIONS  
UNLESS OTHERWISE NOTED

MATERIAL : Please **Circle** the desired options Below:

- 18 GAUGE STAINLESS STEEL
- 16 GAUGE STAINLESS STEEL
- 16 GAUGE BRASS

- FINISHES :
- #2B SATIN ON ALL TYPES
  - #4 BRUSHED ON ALL TYPES
  - #8 POLISHED ON ALL TYPES



**Proprietary and Confidential**  
The Information contained in this drawing is the sole property of ACU Precision Sheet Metal. Any reproduction in part or as a whole without the written permission of ACU Precision Sheet Metal is Prohibited.  
ACU Precision Sheet Metal is:  
American Coffee Urn Manufacturing Co., Inc.

	NAME	DATE
DRAWN	M. Johs	06/14
MATERIAL	SEE NOTES	
FINISH	SEE NOTES	COMMENTS:

TITLE:	<b>BED BEVEL EDGE W/ DRAIN CUSTOM DRIP TRAY AMERICAN COFFEE URN</b>
--------	---