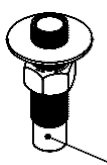
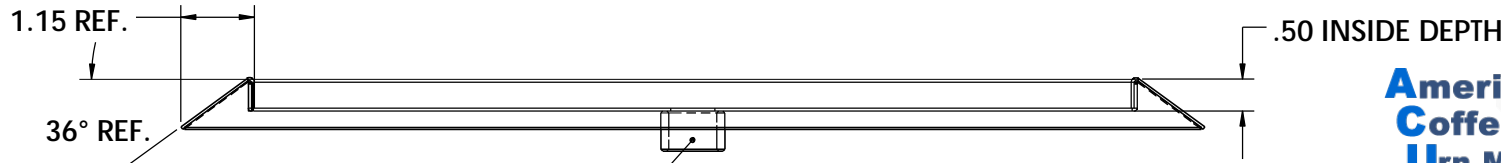
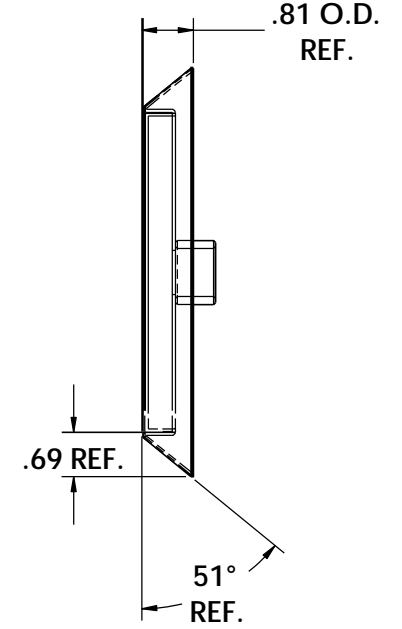
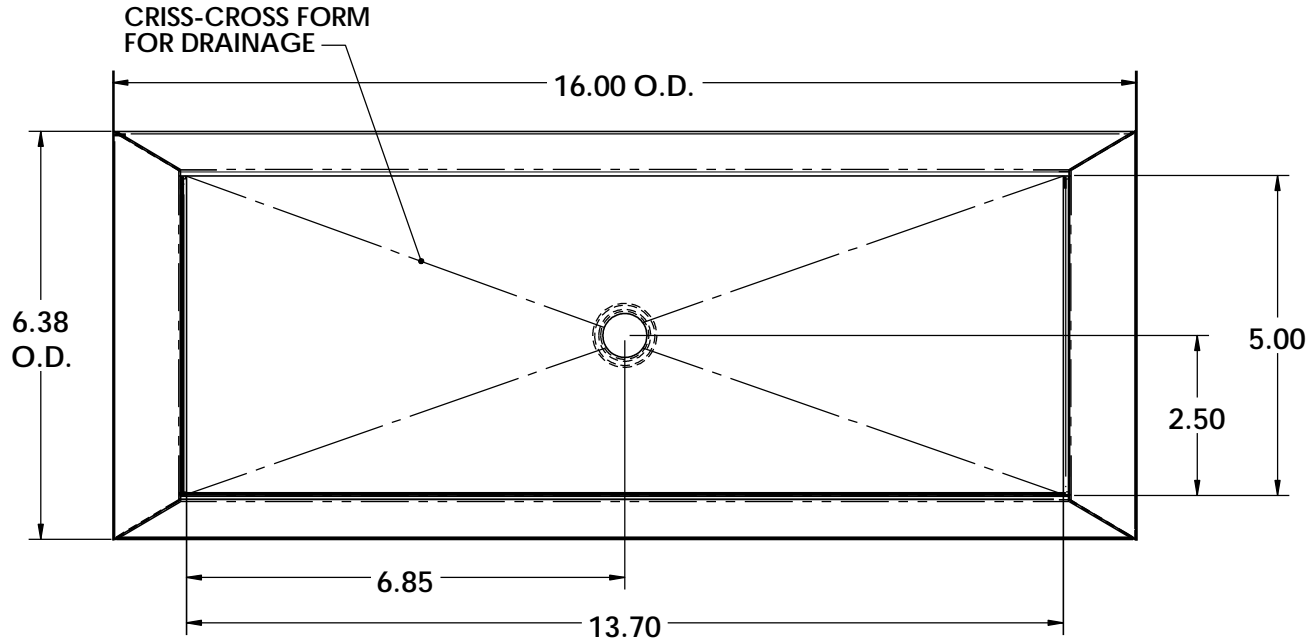


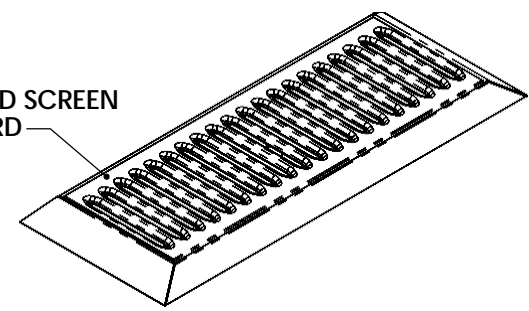
| REV. NO. | | REVISIONS | DATE | APPROVED |
|----------|------|-------------|------|----------|
| ZONE | REV. | DESCRIPTION | | |
| | | | | |
| | | | | |



5/8-18 X 3" LONG BRASS DRAIN W/HARDWARE



LOUVERED SCREEN STANDARD



ALL DIMENSIONS ARE INSIDE DIMENSIONS UNLESS OTHERWISE NOTED

MATERIAL :
18 GAUGE STAINLESS STEEL

FINISHES :
#8 POLISHED ON ALL TYPES

Part # 80720-16

Proprietary and Confidential
The Information contained in this drawing is the sole property of ACU Precision Sheet Metal. Any reproduction in part or as a whole without the written permission of ACU Precision Sheet Metal is Prohibited.
ACU Precision Sheet Metal is:
American Coffee Urn Manufacturing Co., Inc.

| | | | |
|----------------------|-----------|-----------|---|
| | NAME | DATE | TITLE: |
| DRAWN | M. Johs | 06/14 | BED 6-1/2" X 16" BEVEL EDGE W/DRAIN Drip Tray |
| Material | SEE NOTES | | |
| FINISH | SEE NOTES | COMMENTS: | AMERICAN COFFEE URN |
| DO NOT SCALE DRAWING | | | |