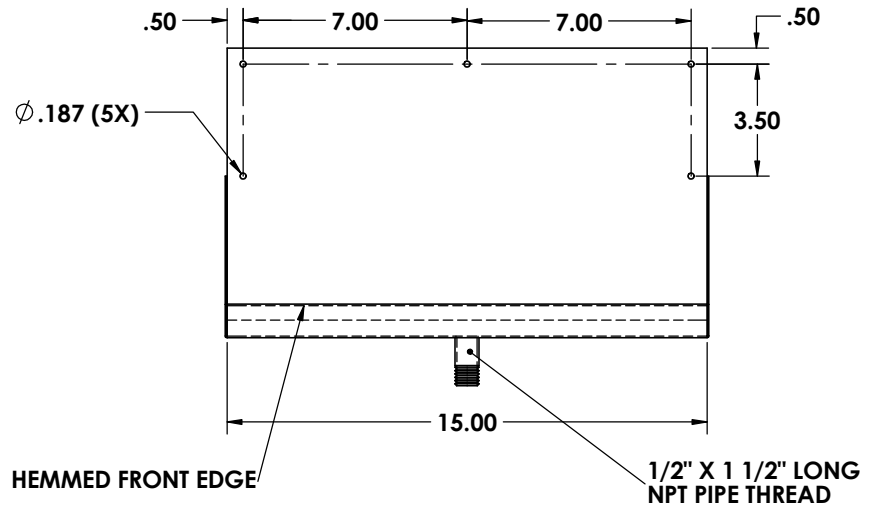
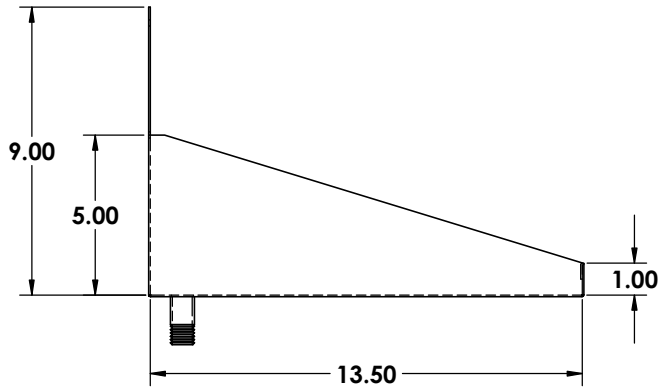
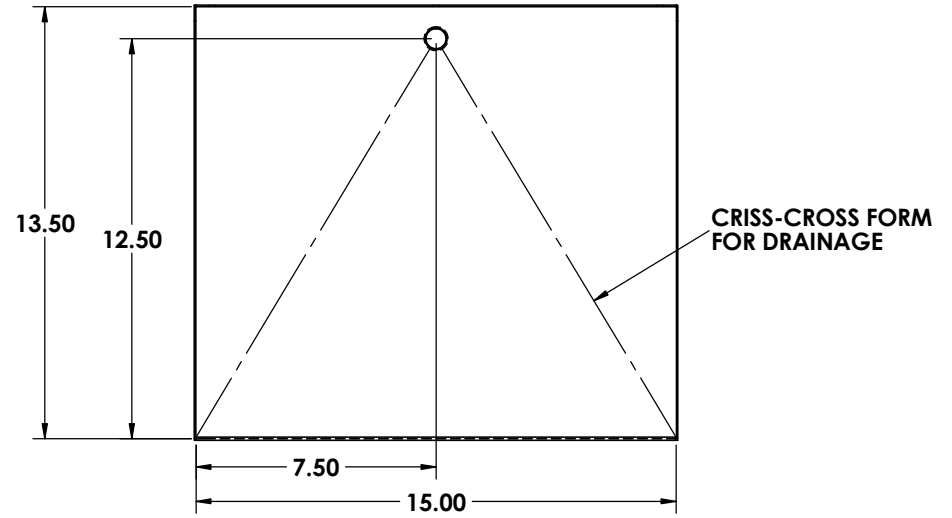
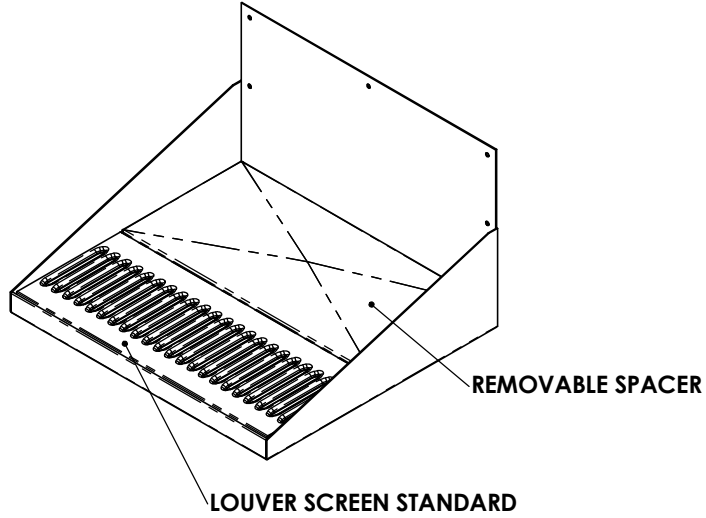


REV. NO.		REVISIONS	DATE	APPROVED



ALL DIMENSIONS ARE INSIDE DIMENSIONS
UNLESS OTHERWISE NOTED

MATERIAL :
18 GAUGE STAINLESS STEEL

FINISHES :
#8 POLISHED ON ALL TYPES

Part # 80725-15

Proprietary and Confidential
 The Information contained in this drawing is the sole property of ACU Precision Sheet Metal. Any reproduction in part or as a whole without the written permission of ACU Precision Sheet Metal is Prohibited.
 ACU Precision Sheet Metal is:
 American Coffee Urn Manufacturing Co., Inc.

	NAME	DATE	TITLE:
DRAWN	M. Johs	07/14	BARREL HEAD WALL MOUNT W/ DRAIN
MATERIAL	SEE NOTES		
FINISH	SEE NOTES	COMMENTS:	AMERICAN COFFEE URN
DO NOT SCALE DRAWING			
SCALE: 1:1		WEIGHT:	SHEET 1 OF 2