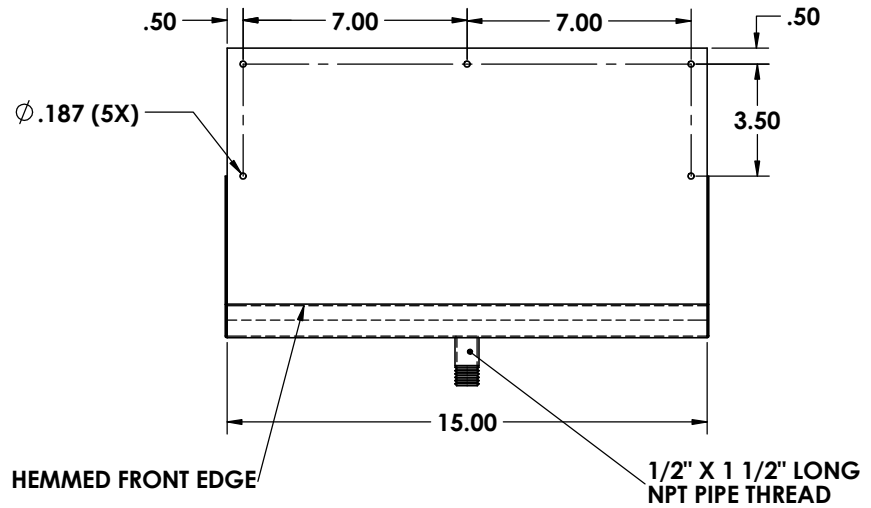
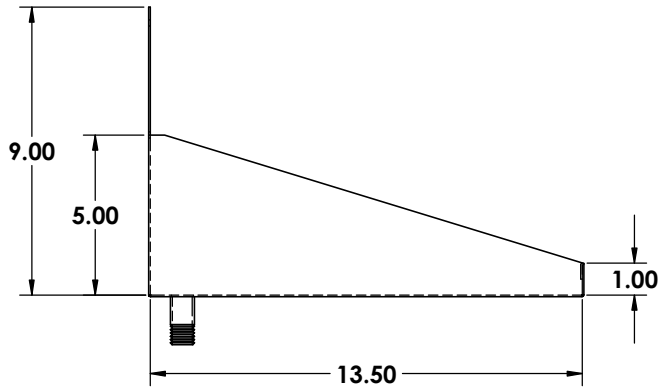
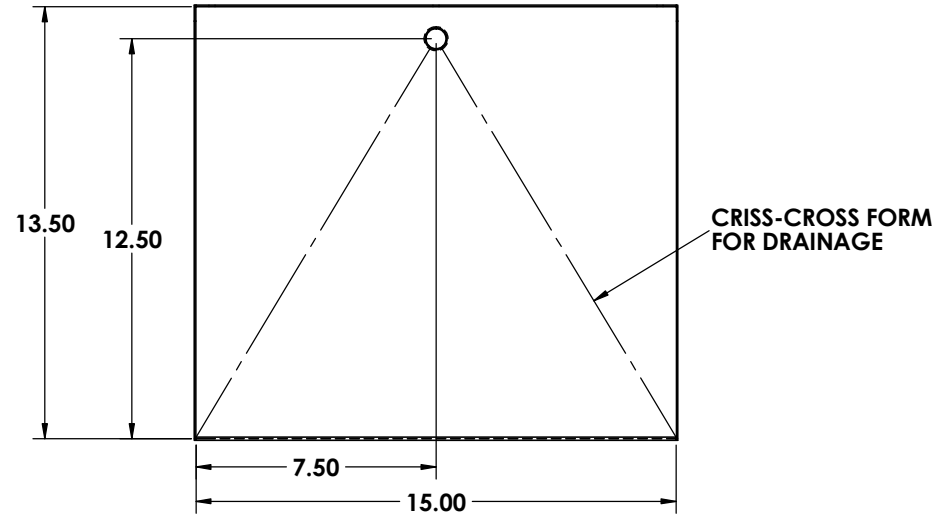
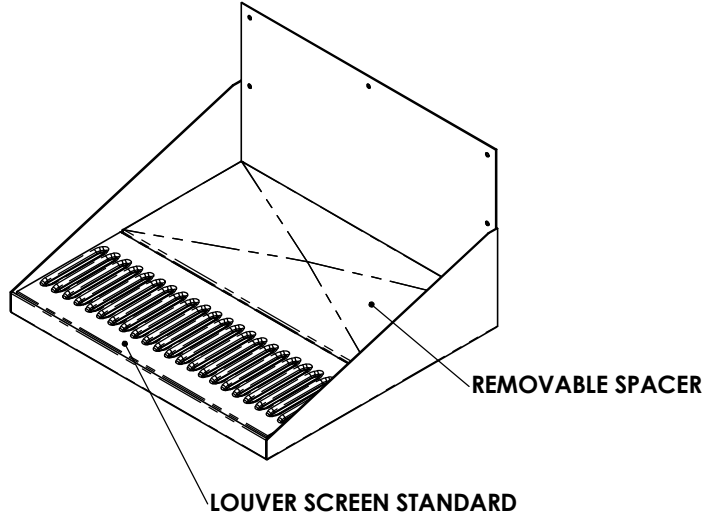


REV. NO.		REVISIONS	DATE	APPROVED
ZONE	REV.	DESCRIPTION		



ALL DIMENSIONS ARE INSIDE DIMENSIONS  
UNLESS OTHERWISE NOTED

MATERIAL :  
18 GAUGE STAINLESS STEEL

FINISHES :  
#4 BRUSHED ON ALL TYPES

**Part # 0300-15**

**Proprietary and Confidential**  
 The Information contained in this drawing is the sole property of ACU Precision Sheet Metal. Any reproduction in part or as a whole without the written permission of ACU Precision Sheet Metal is Prohibited.  
 ACU Precision Sheet Metal is:  
 American Coffee Urn Manufacturing Co., Inc.

NAME	DATE	TITLE:
M. Johs	07/14	<b>BARREL HEAD WALL MOUNT W/ DRAIN</b>
DRAWN		
MATERIAL		<b>AMERICAN COFFEE URN</b>
SEE NOTES		
FINISH	SEE NOTES	COMMENTS:
DO NOT SCALE DRAWING		SCALE: 1:1 WEIGHT: SHEET 1 OF 2