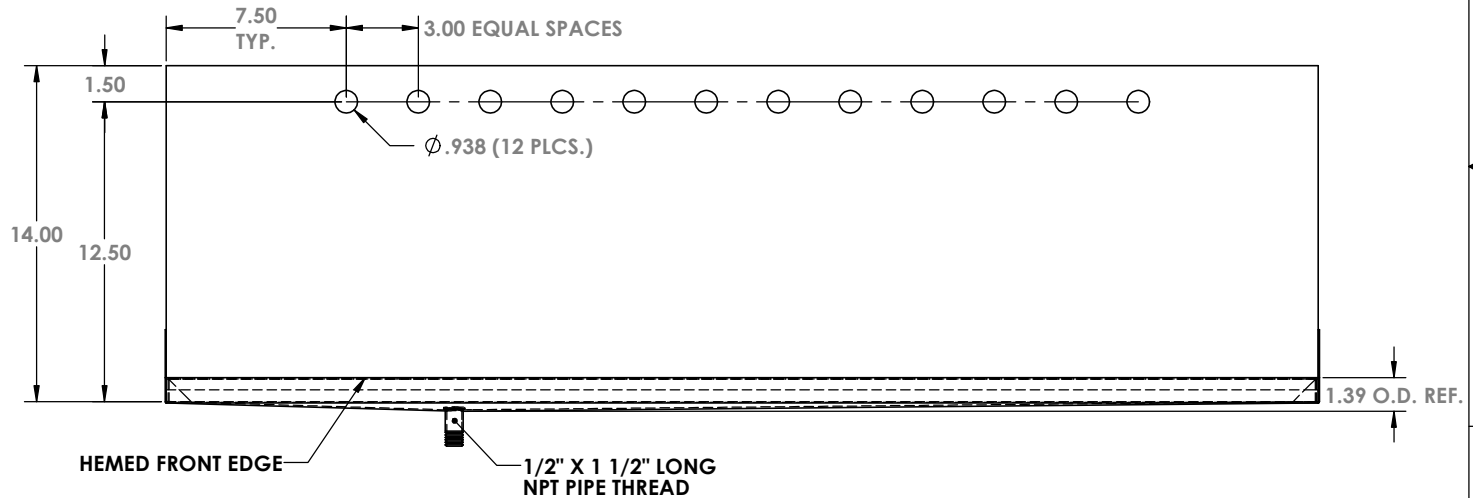
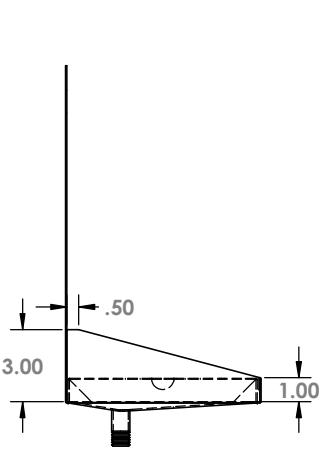
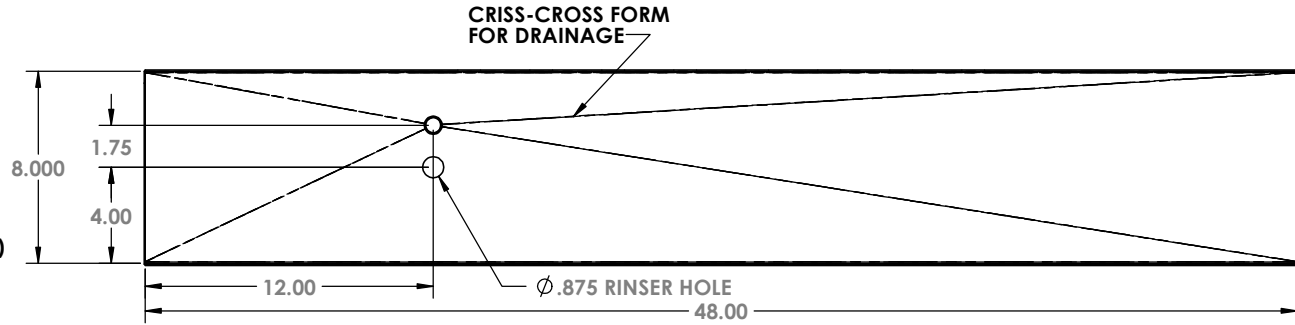
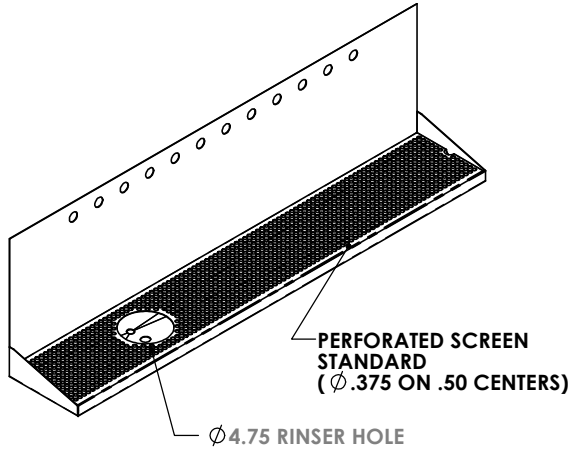


REV. NO.		REVISIONS	DATE	APPROVED
ZONE	REV.	DESCRIPTION		



ALL DIMENSIONS ARE INSIDE DIMENSIONS UNLESS OTHERWISE NOTED

MATERIAL : 18 GAUGE STAINLESS STEEL

FINISH : #4 BRUSHED ON ALL TYPES

**American Coffee**  
 Urn Manufacturing Co., Inc. *Since 1959*  
**Precision Sheet Metal**  
 Design ♦ Engineering ♦ Fabrication  
 www.acumetalfab.com

ACU#04004812DLSP  
 \*RINSER HARDWARE NOT INCLUDED

PROPRIETARY AND CONFIDENTIAL  
 THE INFORMATION CONTAINED IN THIS DRAWING IS THE SOLE PROPERTY OF ACU PRECISION SHEET METAL. ANY REPRODUCTION IN PART OR AS A WHOLE WITHOUT THE WRITTEN PERMISSION OF ACU PRECISION SHEET METAL IS PROHIBITED.  
 ACU PRECISION SHEET METAL IS : AMERICAN COFFEE URN MANUFACTURING CO., INC.

	NAME	DATE
DRAWN	L. WILLIAMS	04/16
MATERIAL	SEE NOTES	
FINISH	SEE NOTES	COMMENTS:
DO NOT SCALE DRAWING		

TITLE:	<b>WM-DR</b>
	<b>12 HOLE 48" WALL MOUNT W/LEFT DRAIN &amp; *RINSER HOLES</b>
	<b>AMERICAN COFFEE URN</b>