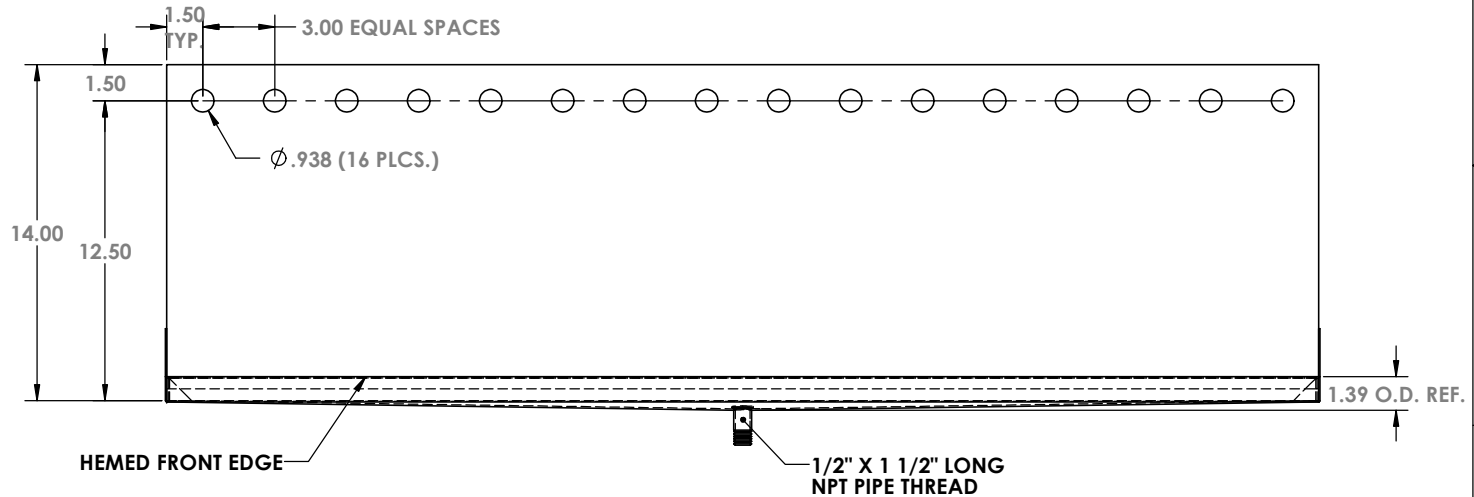
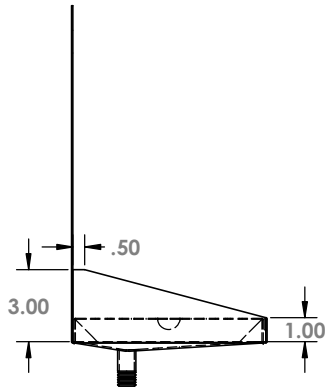
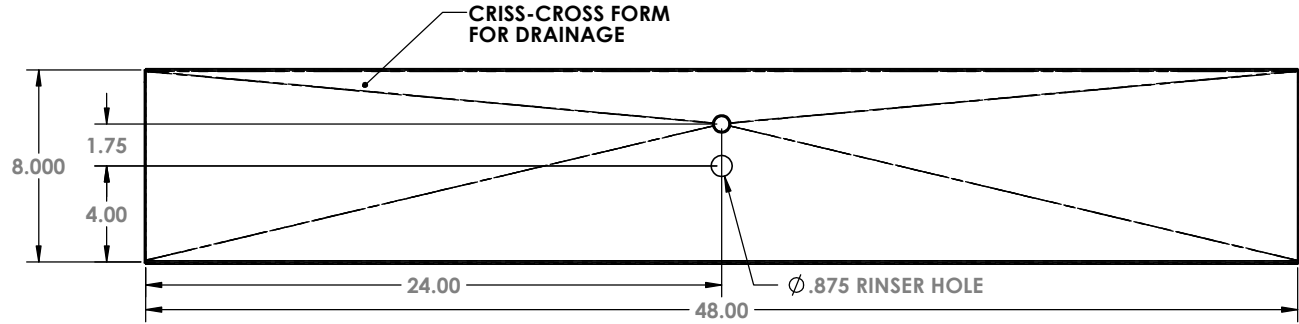
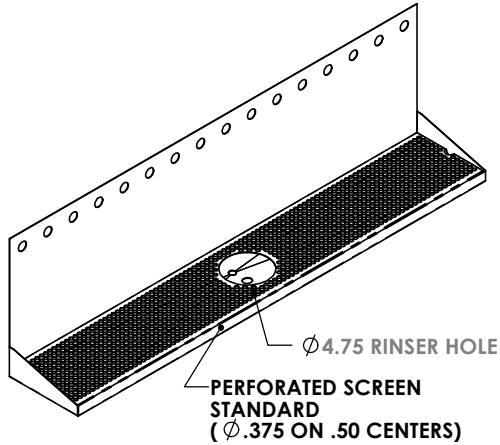


REVISONS		DATE	APPROVED
ZONE	REV.	DESCRIPTION	



ALL DIMENSIONS ARE INSIDE DIMENSIONS UNLESS OTHERWISE NOTED

MATERIAL : 18 GAUGE STAINLESS STEEL

FINISH : #4 BRUSHED ON ALL TYPES

American Coffee
Urn Manufacturing Co., Inc.
Since 1959
Precision Sheet Metal
 Design ♦ Engineering ♦ Fabrication
 www.acumetalfab.com

ACU#04004816DSP

*RINSER HARDWARE NOT INCLUDED

PROPRIETARY AND CONFIDENTIAL

THE INFORMATION CONTAINED IN THIS DRAWING IS THE SOLE PROPERTY OF ACU PRECISION SHEET METAL. ANY REPRODUCTION IN PART OR AS A WHOLE WITHOUT THE WRITTEN PERMISSION OF ACU PRECISION SHEET METAL IS PROHIBITED.

ACU PRECISION SHEET METAL IS : AMERICAN COFFEE URN MANUFACTURING CO., INC

	NAME	DATE
DRAWN	L. WILLIAMS	04/16
MATERIAL	SEE NOTES	
FINISH	SEE NOTES	COMMENTS:

TITLE:	WM-DR 16 HOLE 48" WALL MOUNT TRAY W/DRAIN & *RINSER HOLES AMERICAN COFFEE URN
--------	--

DO NOT SCALE DRAWING