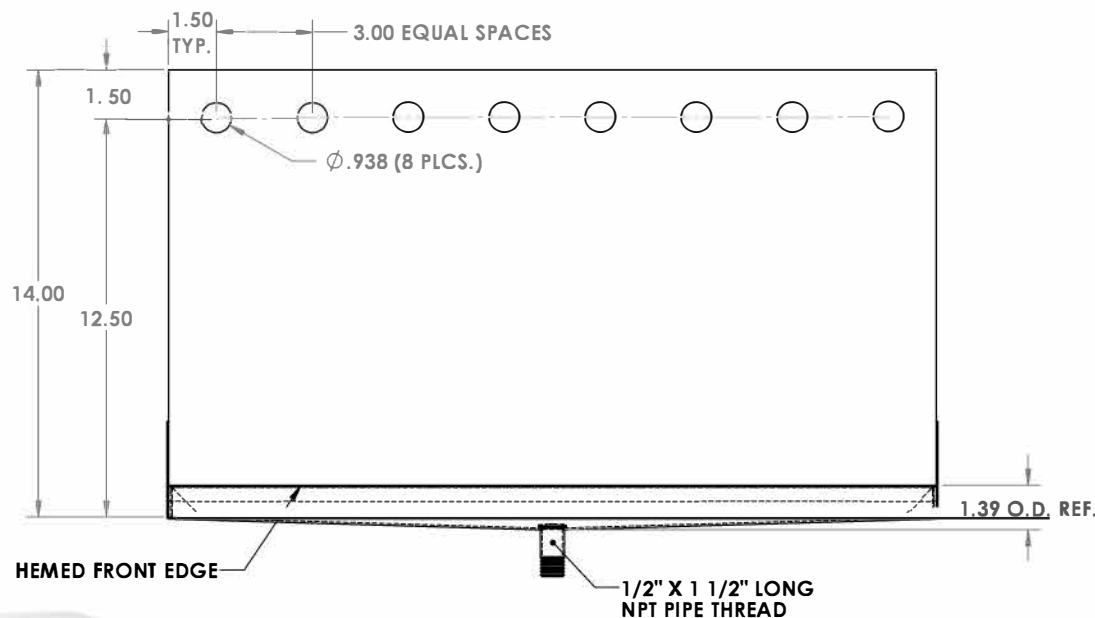
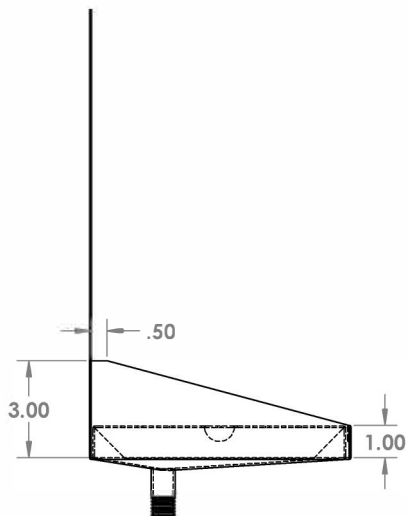
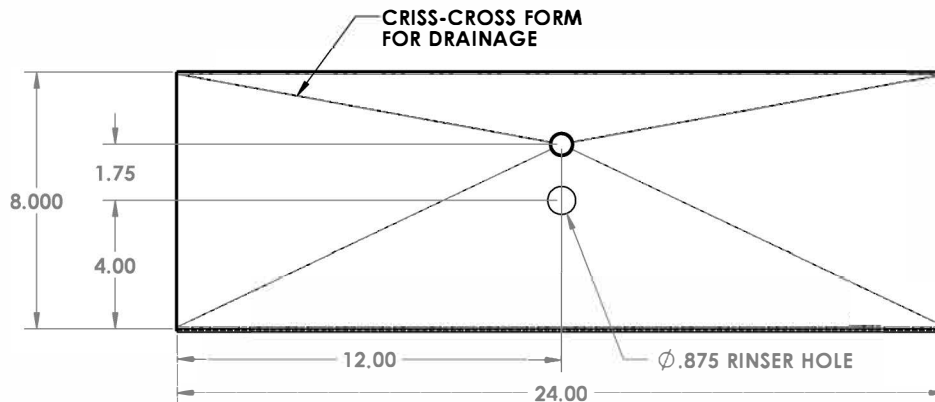
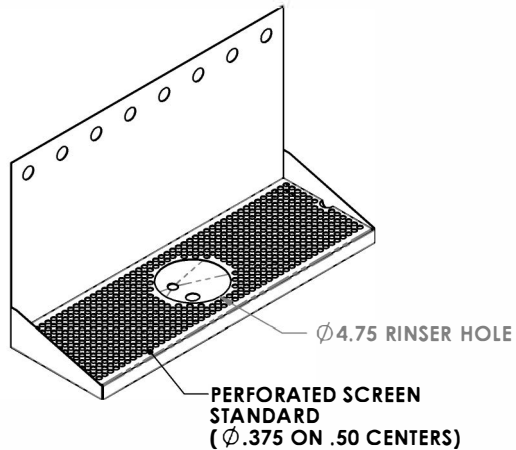


| REV. NO. |  | DESCRIPTION | DATE | APPROVED |
|----------|--|-------------|------|----------|
|          |  |             |      |          |
|          |  |             |      |          |



ALL DIMENSIONS ARE INSIDE DIMENSIONS UNLESS OTHERWISE NOTED

MATERIAL : 18 GAUGE STAINLESS STEEL

FINISH : #4 BRUSHED ON ALL TYPES

**American Coffee**  
**Urn Manufacturing Co., Inc.**  
*Since 1959*  
**Precision Sheet Metal**  
 Design ◊ Engineering ◊ Fabrication  
 www.acumetalfab.com

ACU#04002408DSP  
 \*RINSER HARDWARE NOT INCLUDED

PROPRIETARY AND CONFIDENTIAL  
 THE INFORMATION CONTAINED IN THIS DRAWING IS THE SOLE PROPERTY OF ACU PRECISION SHEET METAL. ANY REPRODUCTION IN PART OR AS A WHOLE WITHOUT THE WRITTEN PERMISSION OF ACU PRECISION SHEET METAL IS PROHIBITED.  
 ACU PRECISION SHEET METAL IS : AMERICAN COFFEE URN MANUFACTURING CO., INC

|          | NAME        | DATE      | TITLE:  |
|----------|-------------|-----------|---|
| DRAWN    | L. WILLIAMS | 04/16     | <b>WM-DR<br/>8 HOLE<br/>24" WALL MOUNT TRAY<br/>W/DRAIN &amp; *RINSER HOLES<br/>AMERICAN COFFEE URN</b> |
| MATERIAL | SEE NOTES   |           |   |
| FINISH   | SEE NOTES   | COMMENTS: |   |