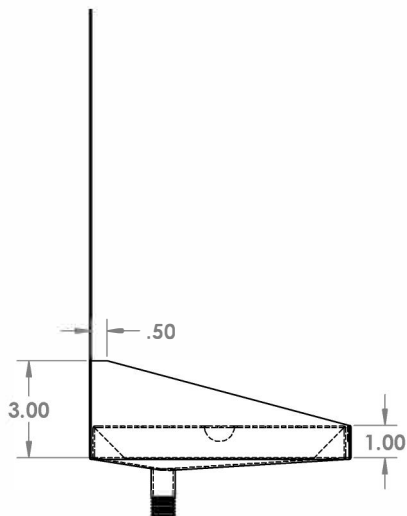
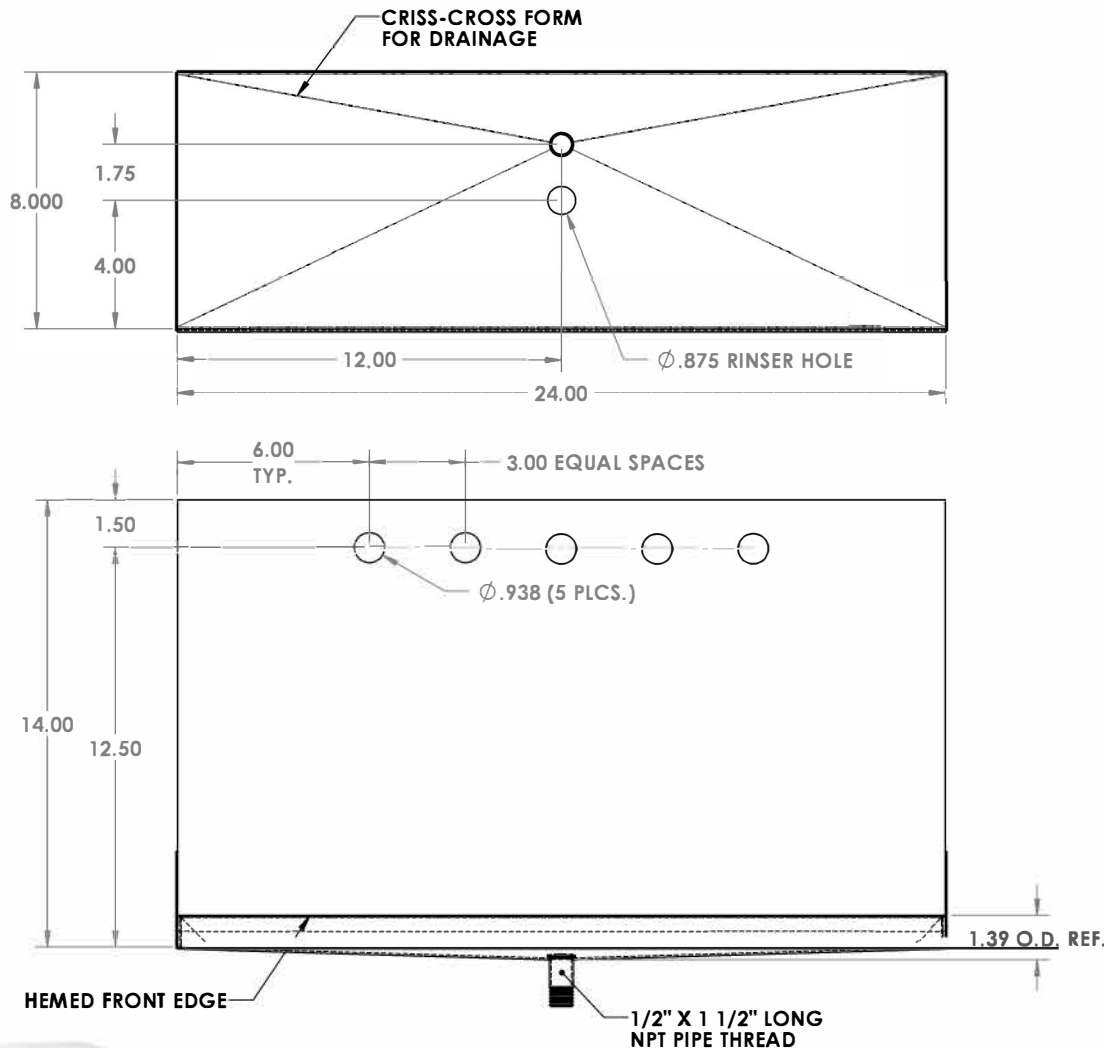
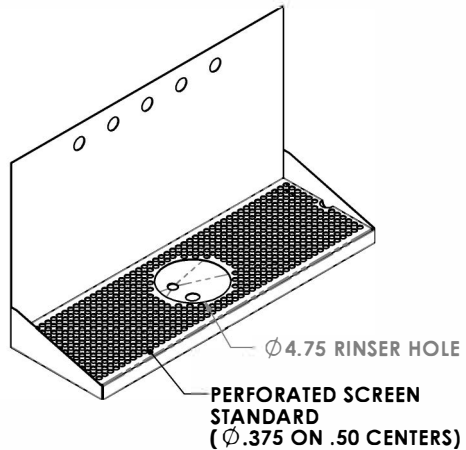


REV. NO.		DESCRIPTION	DATE	APPROVED



ALL DIMENSIONS ARE INSIDE DIMENSIONS UNLESS OTHERWISE NOTED

MATERIAL :
18 GAUGE STAINLESS STEEL

FINISH : #4 BRUSHED ON ALL TYPES

American Coffee
Urn Manufacturing Co., Inc.
Since 1959
Precision Sheet Metal
Design ◊ Engineering ◊ Fabrication
www.acumetalfab.com

ACU#04002405DSP
*RINSER HARDWARE NOT INCLUDED

PROPRIETARY AND CONFIDENTIAL
THE INFORMATION CONTAINED IN THIS DRAWING IS THE SOLE PROPERTY OF ACU PRECISION SHEET METAL. ANY REPRODUCTION IN PART OR AS A WHOLE WITHOUT THE WRITTEN PERMISSION OF ACU PRECISION SHEET METAL IS PROHIBITED.
ACU PRECISION SHEET METAL IS : AMERICAN COFFEE URN MANUFACTURING CO., INC

	NAME	DATE	TITLE:
DRAWN	L. WILLIAMS	04/16	WM-DR 5 HOLE 24" WALL MOUNT TRAY W/DRAIN & *RINSER HOLES AMERICAN COFFEE URN
MATERIAL	SEE NOTES		
FINISH	SEE NOTES	COMMENTS:	