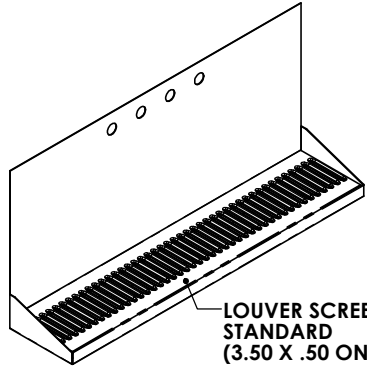
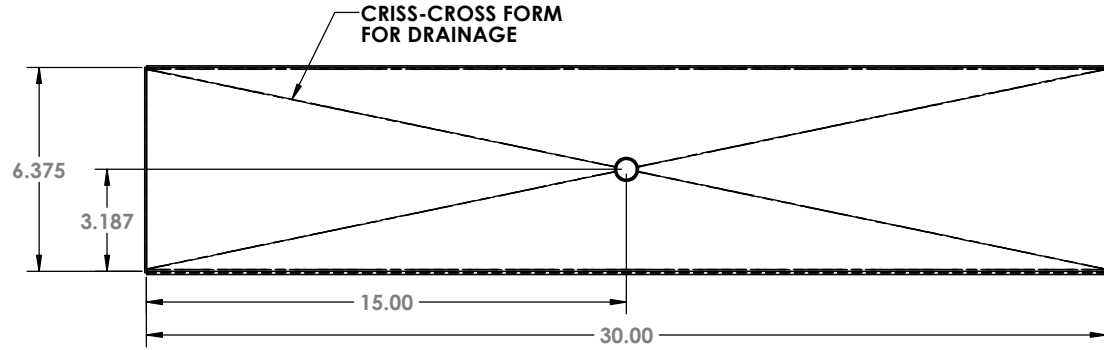


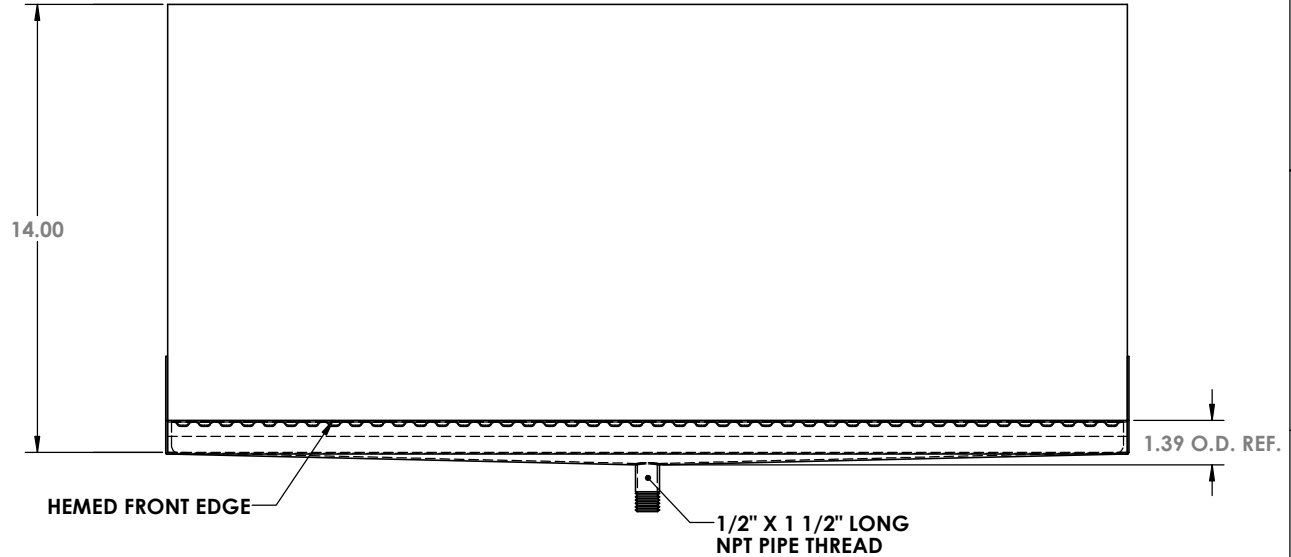
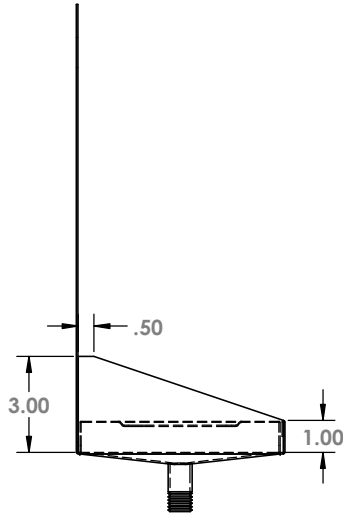
ZONE		REV.	REVISIONS	DATE	APPROVED
			DESCRIPTION		



LOUVER SCREEN STANDARD
(3.50 X .50 ON .50 CENTERS)



CRISS-CROSS FORM FOR DRAINAGE



HEMED FRONT EDGE

1/2" X 1 1/2" LONG
NPT PIPE THREAD

ALL DIMENSIONS ARE INSIDE DIMENSIONS
UNLESS OTHERWISE NOTED

MATERIAL : 18 GAUGE STAINLESS STEEL

FINISH : #8 POLISHED ON ALL TYPES

American Coffee
Urn Manufacturing Co., Inc. *Since 1959*
Precision Sheet Metal
Design ◊ Engineering ◊ Fabrication
www.acumetalfab.com

ACU#08400-30

PROPRIETARY AND CONFIDENTIAL

THE INFORMATION CONTAINED IN THIS DRAWING IS THE SOLE PROPERTY OF ACU PRECISION SHEET METAL. ANY REPRODUCTION IN PART OR AS A WHOLE WITHOUT THE WRITTEN PERMISSION OF ACU PRECISION SHEET METAL IS PROHIBITED.

ACU PRECISION SHEET METAL IS :
AMERICAN COFFEE URN MANUFACTURING CO., INC

	NAME	DATE
DRAWN	L. WILLIAMS	04/16
MATERIAL	SEE NOTES	
FINISH	SEE NOTES	COMMENTS:

TITLE:	WM-D 4 HOLE 30" WALL MOUNT TRAY W/DRAIN
	AMERICAN COFFEE URN

DO NOT SCALE DRAWING