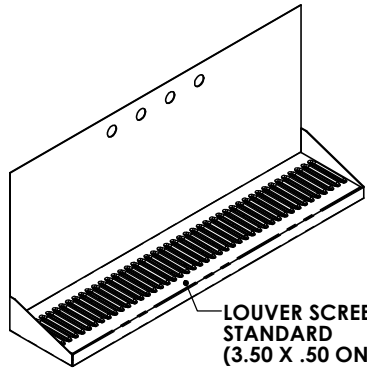
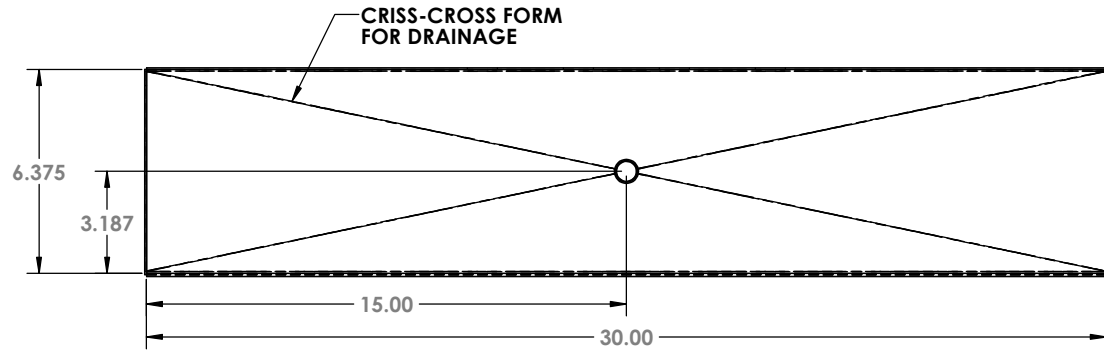


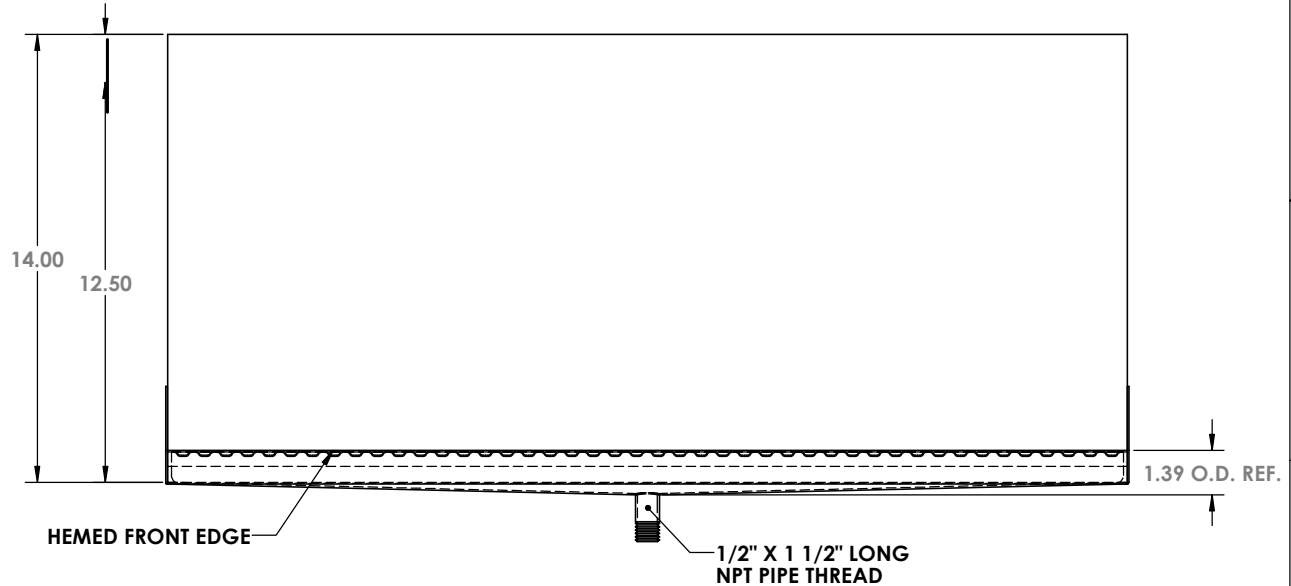
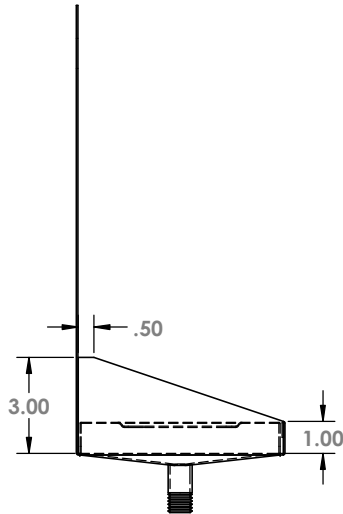
REVISIONS				
ZONE	REV.	DESCRIPTION	DATE	APPROVED



LOUVER SCREEN STANDARD  
(3.50 X .50 ON .50 CENTERS)



CRISS-CROSS FORM FOR DRAINAGE



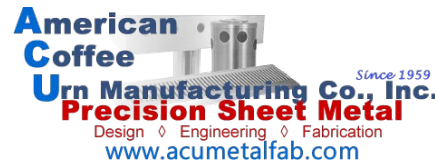
HEMED FRONT EDGE

1/2" X 1 1/2" LONG  
NPT PIPE THREAD

ALL DIMENSIONS ARE INSIDE DIMENSIONS  
UNLESS OTHERWISE NOTED

MATERIAL : 16 GAUGE BRASS

FINISH : #8 POLISHED ON ALL TYPES



ACU#0700-30

PROPRIETARY AND CONFIDENTIAL  
THE INFORMATION CONTAINED IN THIS DRAWING IS THE SOLE PROPERTY OF ACU PRECISION SHEET METAL. ANY REPRODUCTION IN PART OR AS A WHOLE WITHOUT THE WRITTEN PERMISSION OF ACU PRECISION SHEET METAL IS PROHIBITED.  
ACU PRECISION SHEET METAL IS : AMERICAN COFFEE URN MANUFACTURING CO., INC

	NAME	DATE	TITLE:
DRAWN	L. WILLIAMS	04/16	<b>WM-D 4 HOLE 30" WALL MOUNT TRAY W/DRAIN AMERICAN COFFEE URN</b>
MATERIAL	SEE NOTES		
FINISH	SEE NOTES	COMMENTS:	
DO NOT SCALE DRAWING			
