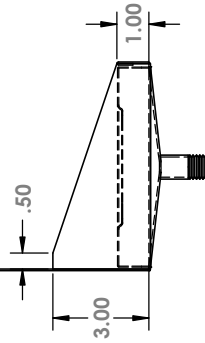
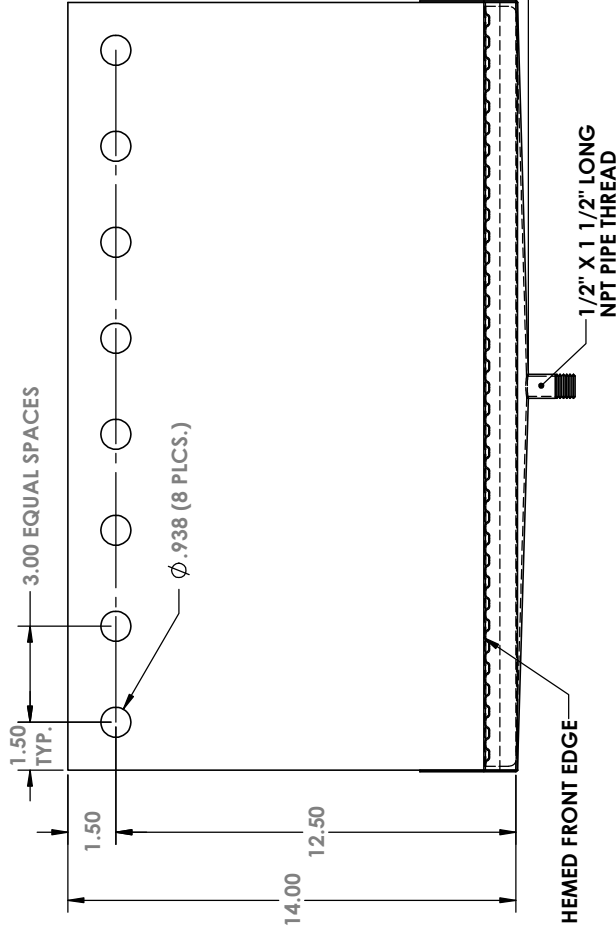
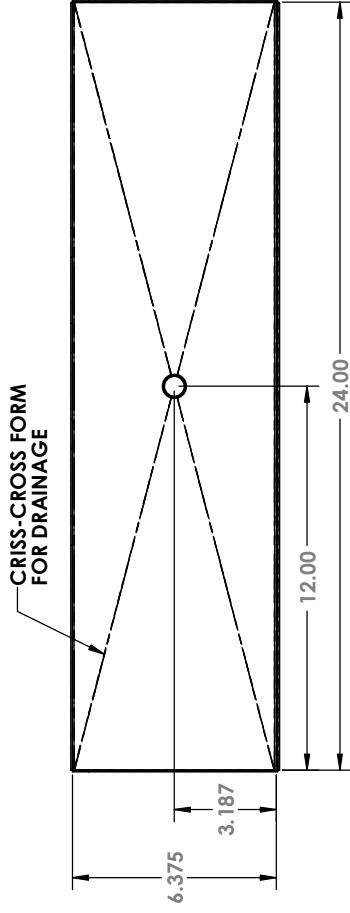
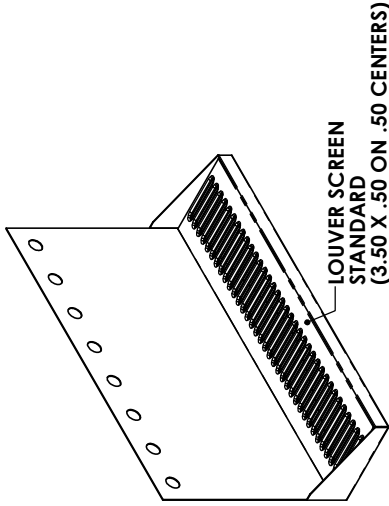


CHANGE DIMENSIONS AS NEEDED FOR CUSTOM TRAYS

ZONE	REV	DESCRIPTION	DATE	APPROVED



ALL DIMENSIONS ARE INSIDE DIMENSIONS
UNLESS OTHERWISE NOTED

MATERIAL : 18 GAUGE STAINLESS STEEL

FINISH : #4 BRUSHED ON ALL TYPES



ACU#04002408D

PROPRIETARY AND CONFIDENTIAL THE INFORMATION CONTAINED IN THIS DRAWING IS THE SOLE PROPERTY OF ACU PRECISION SHEET METAL. ANY REPRODUCTION IN PART OR AS A WHOLE WITHOUT THE WRITTEN PERMISSION OF ACU PRECISION SHEET METAL IS PROHIBITED. ACU PRECISION SHEET METAL AMERICAN COFFEE URN MANUFACTURING CO., INC.		DRAWN L. WILLIAMS	DATE 04/16	TITLE WM-D 8 HOLE 24" WALL MOUNT TRAY W/DRAIN
MATERIAL SEE NOTES	FINISH SEE NOTES	NAME L. WILLIAMS	COMMENTS: SEE NOTES	AMERICAN COFFEE URN