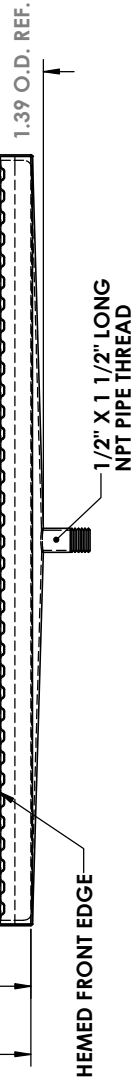
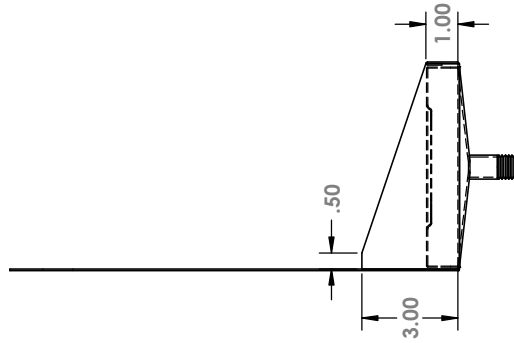
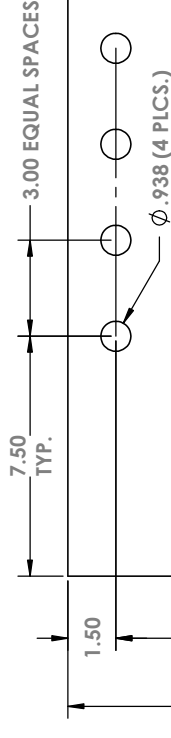
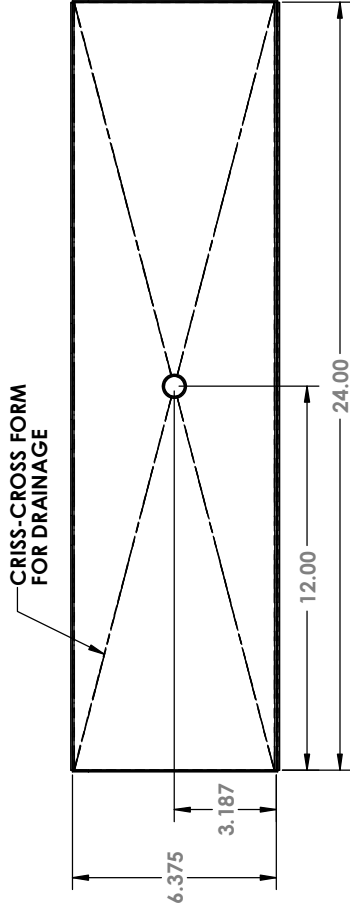
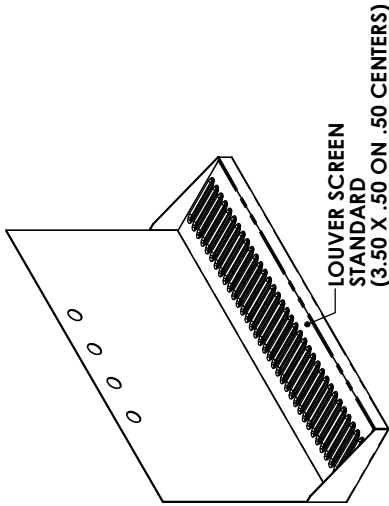


CHANGE DIMENSIONS AS NEEDED FOR CUSTOM TRAYS

ZONE	REV	DESCRIPTION	DATE	APPROVED



ALL DIMENSIONS ARE INSIDE DIMENSIONS UNLESS OTHERWISE NOTED

MATERIAL : 18 GAUGE STAINLESS STEEL

FINISH :

#4 BRUSHED ON ALL TYPES



ACU#04002404D

PROPRIETARY AND CONFIDENTIAL THE INFORMATION CONTAINED IN THIS DRAWING IS THE SOLE PROPERTY OF ACU PRECISION SHEET METAL. ANY REPRODUCTION IN PART OR AS A WHOLE WITHOUT THE WRITTEN PERMISSION OF ACU PRECISION SHEET METAL IS PROHIBITED. ACU PRECISION SHEET METAL AMERICAN COFFEE URN MANUFACTURING CO., INC.		DRAWN L. WILLIAMS	NAME L. WILLIAMS	DATE 04/16	TITLE WM-D 4 HOLE 24" WALL MOUNT TRAY W/DRAIN
MATERIAL SEE NOTES	FINISH SEE NOTES	COMMENTS: SEE NOTES	COMMENTS: SEE NOTES		