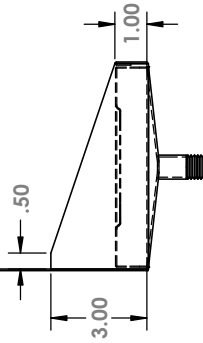
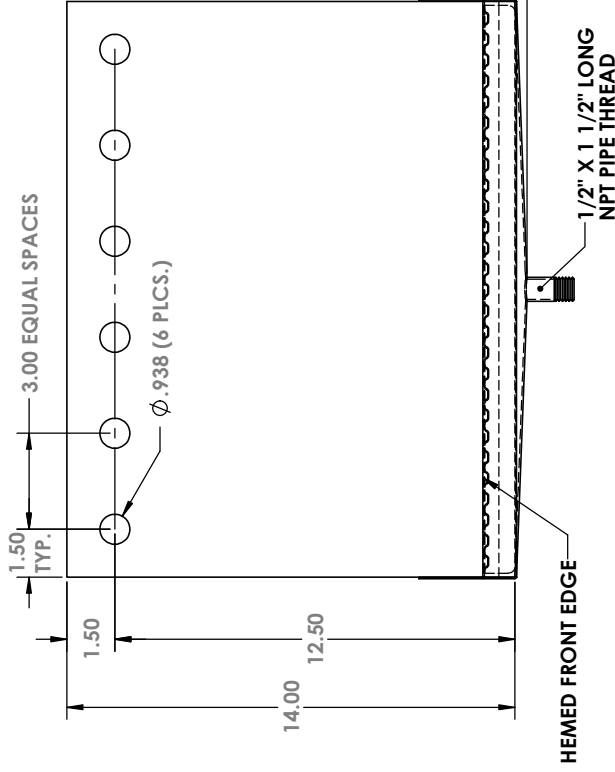
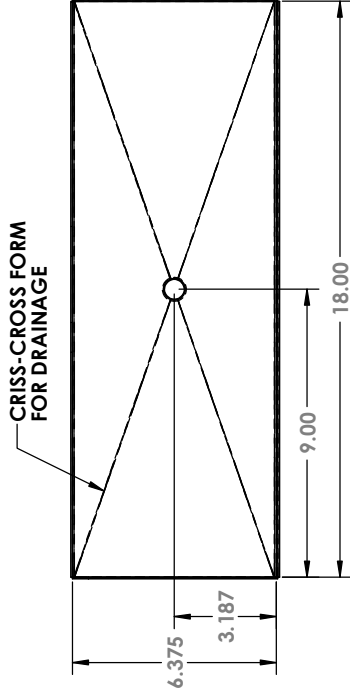
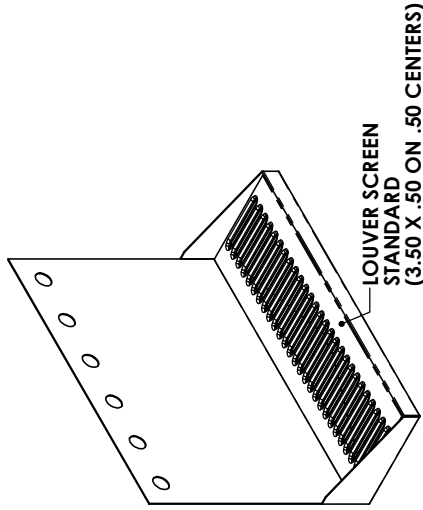


CHANGE DIMENSIONS AS NEEDED FOR CUSTOM TRAYS

ZONE	REV	DESCRIPTION	DATE	APPROVED



ALL DIMENSIONS ARE INSIDE DIMENSIONS UNLESS OTHERWISE NOTED

MATERIAL : 18 GAUGE STAINLESS STEEL

FINISH : #8 POLISHED ON ALL TYPES



ACU#08001806

PROPRIETARY AND CONFIDENTIAL
 THE INFORMATION CONTAINED IN THIS DRAWING IS THE SOLE PROPERTY OF ACU PRECISION SHEET METAL. ANY REPRODUCTION IN PART OR AS A WHOLE WITHOUT THE WRITTEN PERMISSION OF ACU PRECISION SHEET METAL IS PROHIBITED.
 ACU PRECISION SHEET METAL
 AMERICAN COFFEE URN MANUFACTURING CO., INC.

DRAWN	NAME	DATE	TITLE
	L. WILLIAMS	04/16	WM-D 6 HOLE 18" WALL MOUNT TRAY W/DRAIN
MATERIAL	SEE NOTES		
FINISH	SEE NOTES		
COMMENTS:			AMERICAN COFFEE URN