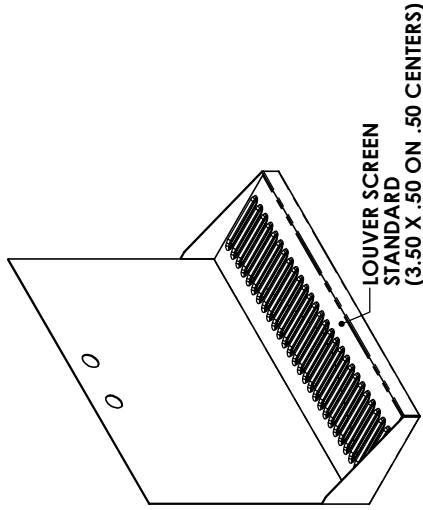
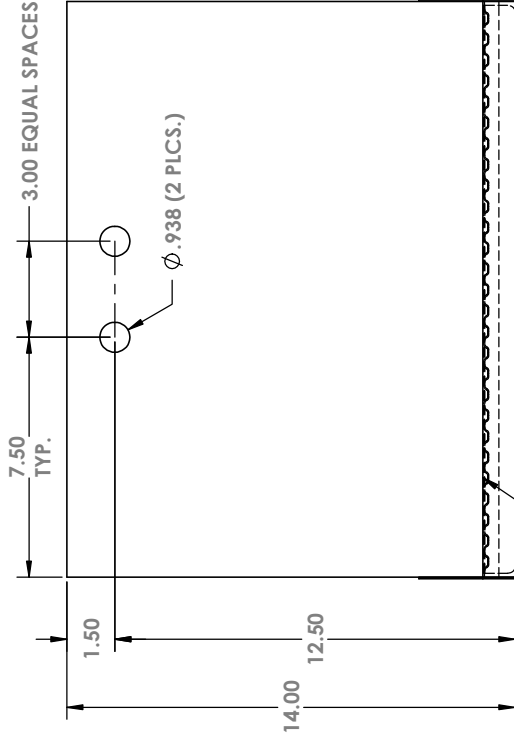
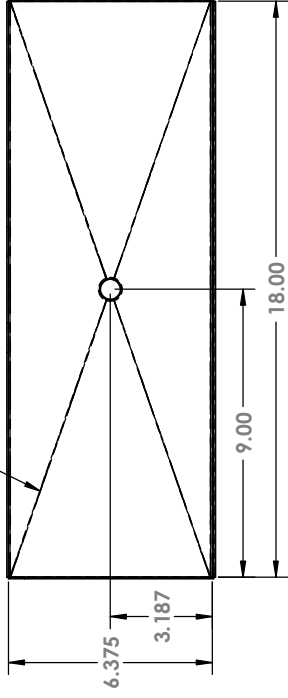


CHANGE DIMENSIONS AS NEEDED FOR CUSTOM TRAYS

ZONE	REV	DESCRIPTION	DATE	APPROVED

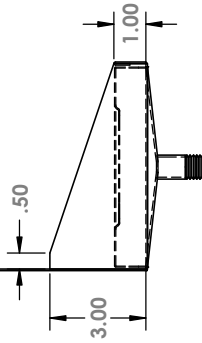


CRISS-CROSS FORM FOR DRAINAGE



HEMED FRONT EDGE

1/2" X 1 1/2" LONG NPT PIPE THREAD



ALL DIMENSIONS ARE INSIDE DIMENSIONS UNLESS OTHERWISE NOTED

MATERIAL : 16 GAUGE BRASS

FINISH : #8 POLISHED ON ALL TYPES



ACU#07401802D

PROPRIETARY AND CONFIDENTIAL  
 THE INFORMATION CONTAINED IN THIS DRAWING IS THE SOLE PROPERTY OF ACU PRECISION SHEET METAL. ANY REPRODUCTION IN PART OR AS A WHOLE WITHOUT THE WRITTEN PERMISSION OF ACU PRECISION SHEET METAL IS PROHIBITED.  
 ACU PRECISION SHEET METAL IS AN AMERICAN COFFEE URN MANUFACTURING CO., INC.

DRAWN	NAME	DATE	TITLE
L. WILLIAMS	L. WILLIAMS	04/16	WM-D 2 HOLE 18" WALL MOUNT TRAY W/DRAIN
MATERIAL	SEE NOTES		
FINISH	SEE NOTES	COMMENTS:	AMERICAN COFFEE URN