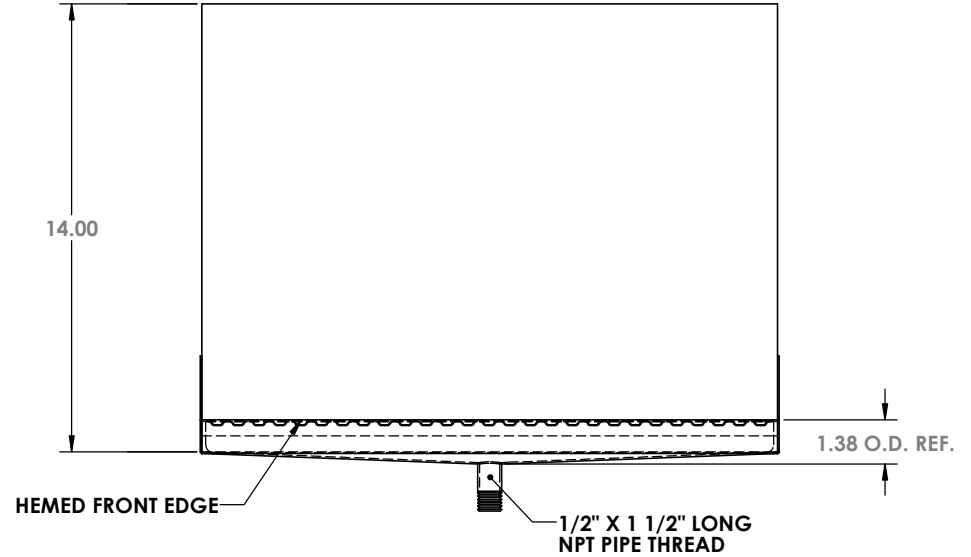
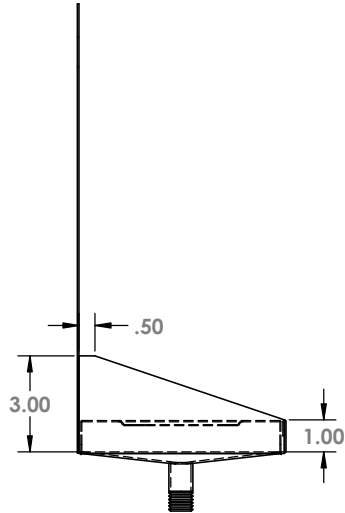
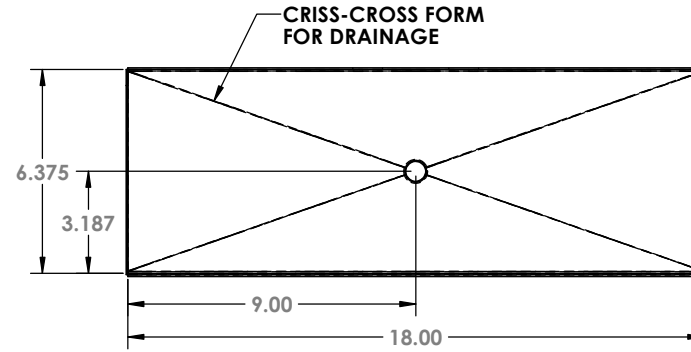
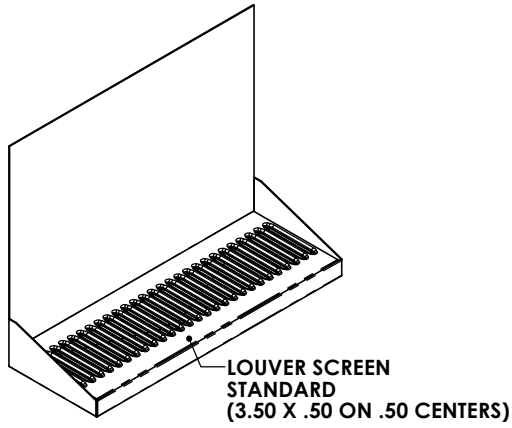


ZONE		REV.	DESCRIPTION	DATE	APPROVED



ALL DIMENSIONS ARE INSIDE DIMENSIONS  
UNLESS OTHERWISE NOTED

MATERIAL : 18 GAUGE STAINLESS STEEL

FINISH : #4 BRUSHED ON ALL TYPES

**American Coffee**  
**Urn Manufacturing Co., Inc.** *Since 1959*  
**Precision Sheet Metal**  
 Design ◊ Engineering ◊ Fabrication  
[www.acumetalfab.com](http://www.acumetalfab.com)

ACU#0400-18

PROPRIETARY AND CONFIDENTIAL  
 THE INFORMATION CONTAINED IN THIS DRAWING IS THE SOLE PROPERTY OF ACU PRECISION SHEET METAL. ANY REPRODUCTION IN PART OR AS A WHOLE WITHOUT THE WRITTEN PERMISSION OF ACU PRECISION SHEET METAL IS PROHIBITED.  
 ACU PRECISION SHEET METAL IS - AMERICAN COFFEE URN MANUFACTURING CO., INC

	NAME	DATE
DRAWN	L. WILLIAMS	04/16
MATERIAL	SEE NOTES	
FINISH	SEE NOTES	COMMENTS:

TITLE:	<b>WM-D NO HOLE 18" WALL MOUNT TRAY W/DRAIN AMERICAN COFFEE URN</b>
--------	---