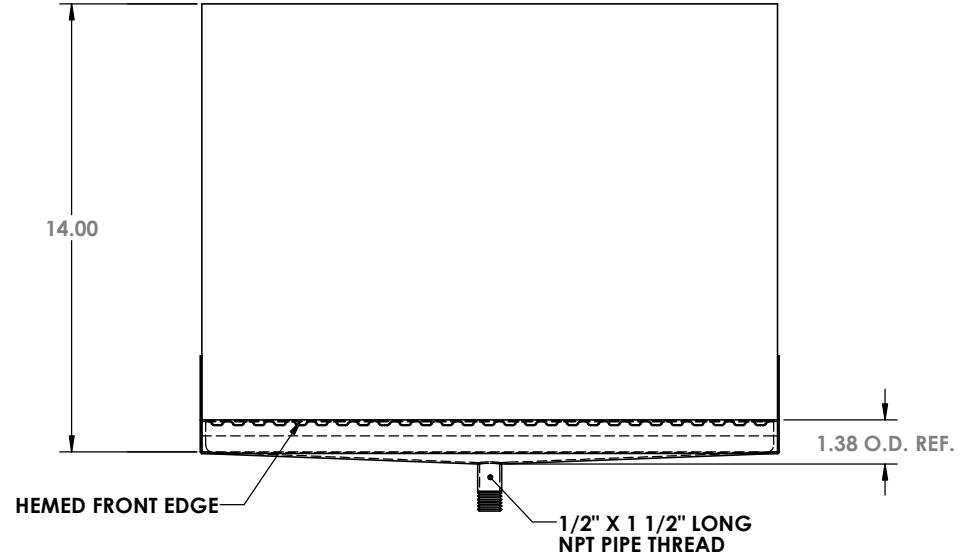
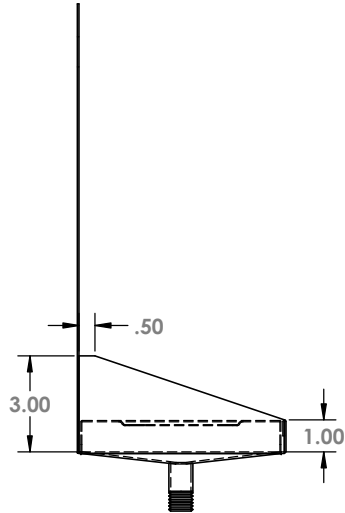
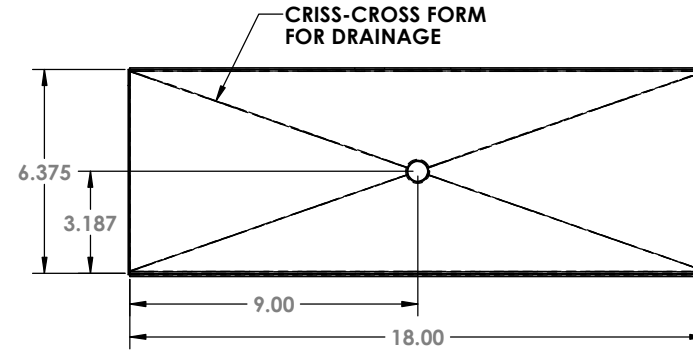
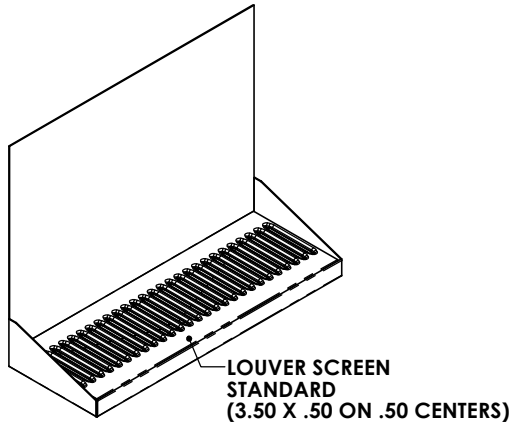


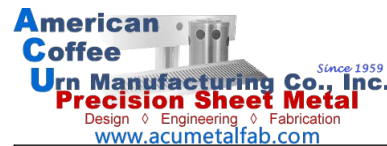
ZONE		REV.	REVISIONS	DATE	APPROVED
			DESCRIPTION		



ALL DIMENSIONS ARE INSIDE DIMENSIONS
UNLESS OTHERWISE NOTED

MATERIAL : 16 GAUGE BRASS

FINISH : #8 POLISHED ON ALL TYPES



ACU#0740-18

PROPRIETARY AND CONFIDENTIAL
THE INFORMATION CONTAINED IN THIS DRAWING IS THE SOLE PROPERTY OF ACU PRECISION SHEET METAL. ANY REPRODUCTION IN PART OR AS A WHOLE WITHOUT THE WRITTEN PERMISSION OF ACU PRECISION SHEET METAL IS PROHIBITED.
ACU PRECISION SHEET METAL IS - AMERICAN COFFEE URN MANUFACTURING CO., INC

	NAME	DATE
DRAWN	L. WILLIAMS	04/16
MATERIAL	SEE NOTES	
FINISH	SEE NOTES	COMMENTS:

TITLE:	WM-D NO HOLE 18" WALL MOUNT TRAY W/DRAIN AMERICAN COFFEE URN
--------	---