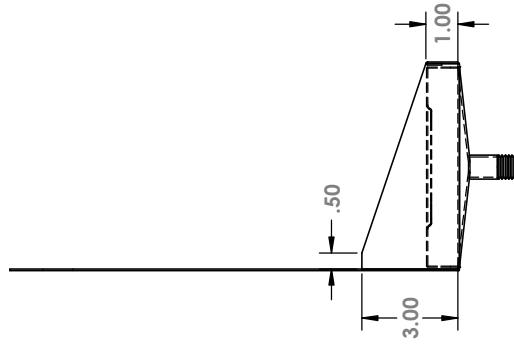
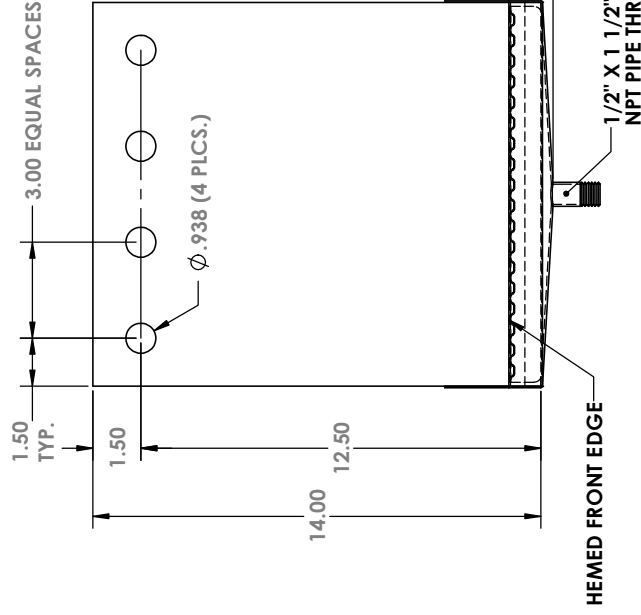
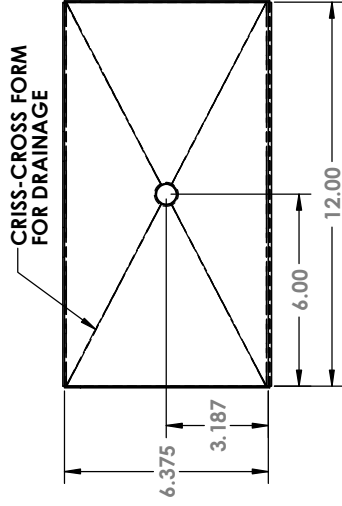
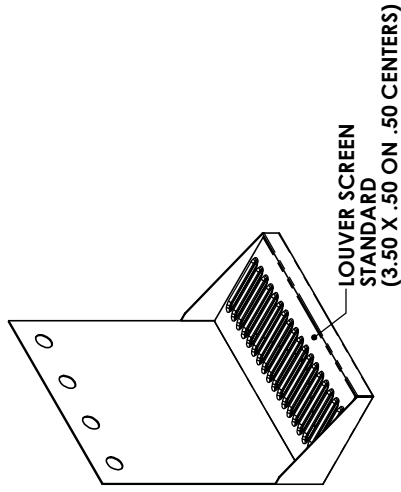


CHANGE DIMENSIONS AS NEEDED FOR CUSTOM TRAYS

ZONE	REV	DESCRIPTION	DATE	APPROVED



ALL DIMENSIONS ARE INSIDE DIMENSIONS UNLESS OTHERWISE NOTED

MATERIAL : 16 GAUGE BRASS

FINISH : #8 POLISHED ON ALL TYPES



ACU#07401204D

DRAWN		NAME	DATE	TITLE
L. WILLIAMS		L. WILLIAMS	04/16	WM-D
MATERIAL		SEE NOTES		12" WALL MOUNT TRAY W/DRAIN
FINISH		SEE NOTES		AMERICAN COFFEE URN
<p>PROPRIETARY AND CONFIDENTIAL</p> <p>THE INFORMATION CONTAINED IN THIS DRAWING IS THE SOLE PROPERTY OF ACU PRECISION SHEET METAL. ANY REPRODUCTION IN PART OR AS A WHOLE WITHOUT THE WRITTEN PERMISSION OF ACU PRECISION SHEET METAL IS PROHIBITED.</p> <p>ACU PRECISION SHEET METAL IS AN AMERICAN COFFEE URN MANUFACTURING CO., INC.</p>		COMMENTS:		