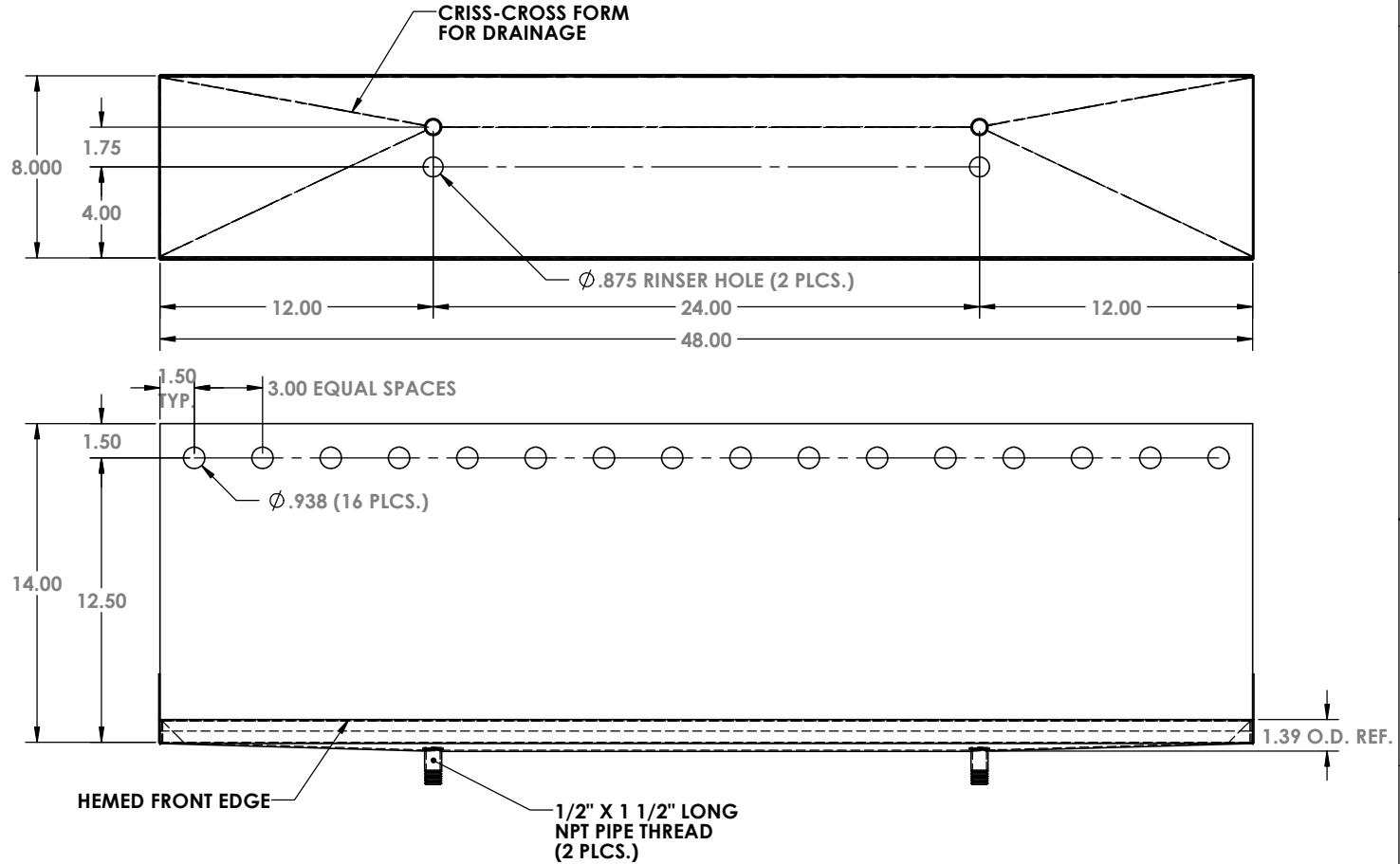
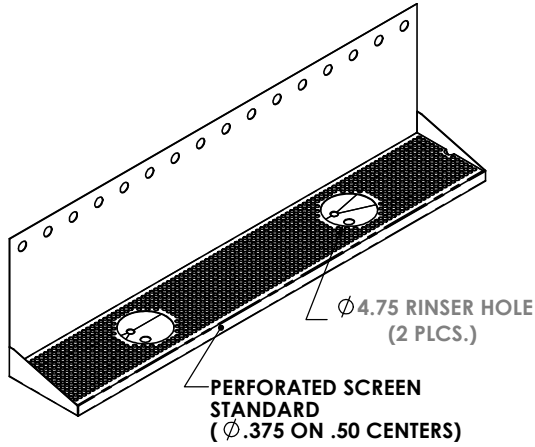


ZONE		REV.	REVISIONS	DATE	APPROVED
			DESCRIPTION		



ALL DIMENSIONS ARE INSIDE DIMENSIONS UNLESS OTHERWISE NOTED

MATERIAL : 16 GAUGE BRASS

FINISH : #8 POLISHED ON ALL TYPES

American Coffee
 Urn Manufacturing Co., Inc. *Since 1959*
Precision Sheet Metal
 Design ♦ Engineering ♦ Fabrication
 www.acumetalfab.com

ACU#07404816DDSP
 *RINSER HARDWARE NOT INCLUDED

PROPRIETARY AND CONFIDENTIAL
 THE INFORMATION CONTAINED IN THIS DRAWING IS THE SOLE PROPERTY OF ACU PRECISION SHEET METAL. ANY REPRODUCTION IN PART OR AS A WHOLE WITHOUT THE WRITTEN PERMISSION OF ACU PRECISION SHEET METAL IS PROHIBITED.
 ACU PRECISION SHEET METAL IS : AMERICAN COFFEE URN MANUFACTURING CO., INC

	NAME	DATE
DRAWN	L. WILLIAMS	04/16
MATERIAL	SEE NOTES	
FINISH	SEE NOTES	COMMENTS:

TITLE:	WM-DDR 16 HOLE 48" WALL MOUNT W/DBL DRAIN & *RINSER HOLES
	AMERICAN COFFEE URN