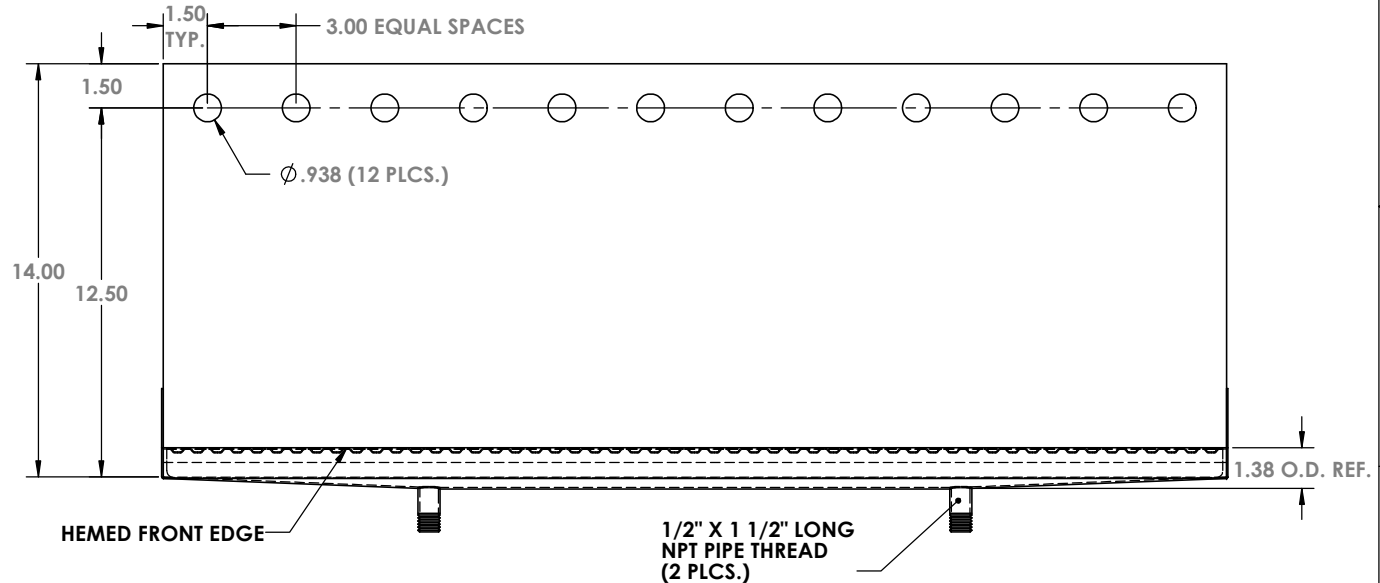
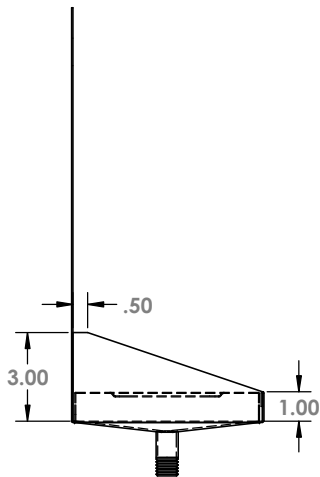
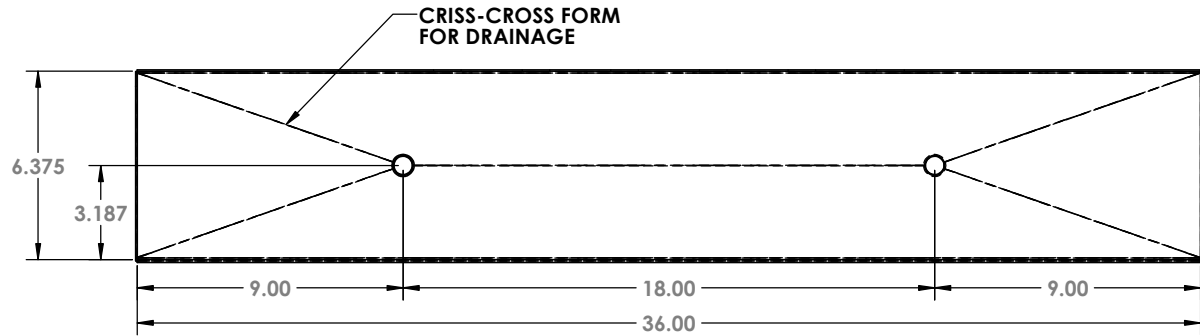
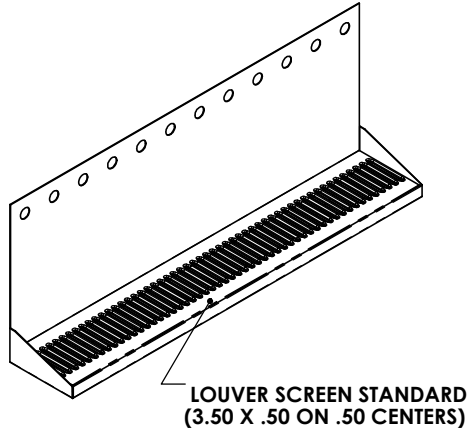


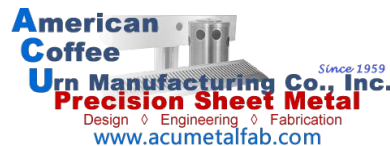
ZONE		REV.	REVISIONS	DATE	APPROVED
			DESCRIPTION		



ALL DIMENSIONS ARE INSIDE DIMENSIONS UNLESS OTHERWISE NOTED

MATERIAL : 18 GAUGE STAINLESS STEEL

FINISH : #4 BRUSHED ON ALL TYPES



ACU#04003612DD

PROPRIETARY AND CONFIDENTIAL

THE INFORMATION CONTAINED IN THIS DRAWING IS THE SOLE PROPERTY OF ACU PRECISION SHEET METAL. ANY REPRODUCTION IN PART OR AS A WHOLE WITHOUT THE WRITTEN PERMISSION OF ACU PRECISION SHEET METAL IS PROHIBITED.

ACU PRECISION SHEET METAL IS AMERICAN COFFEE URN MANUFACTURING CO., INC

	NAME	DATE	TITLE:
DRAWN	L. WILLIAMS	04/16	WM-DD 12 HOLE 36" WALL MOUNT TRAY W/DOUBLE DRAIN AMERICAN COFFEE URN
MATERIAL	SEE NOTES		
FINISH	SEE NOTES	COMMENTS:	
DO NOT SCALE DRAWING			