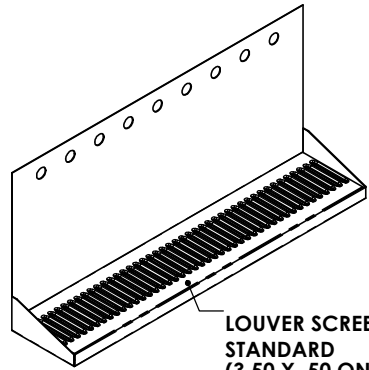
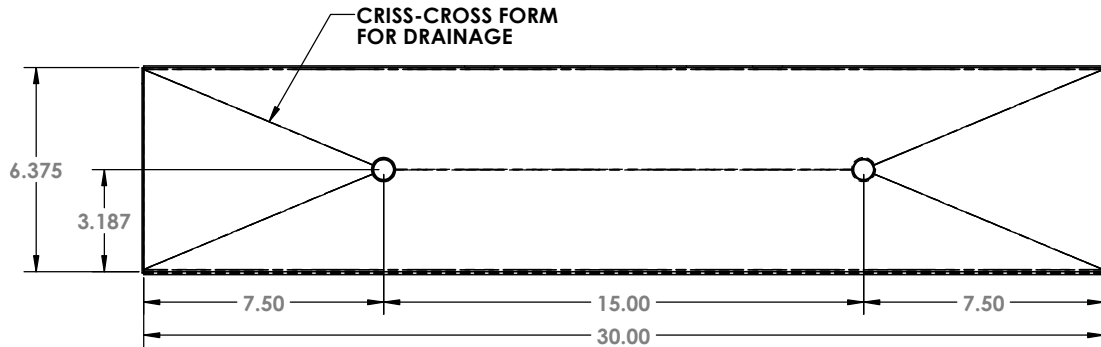


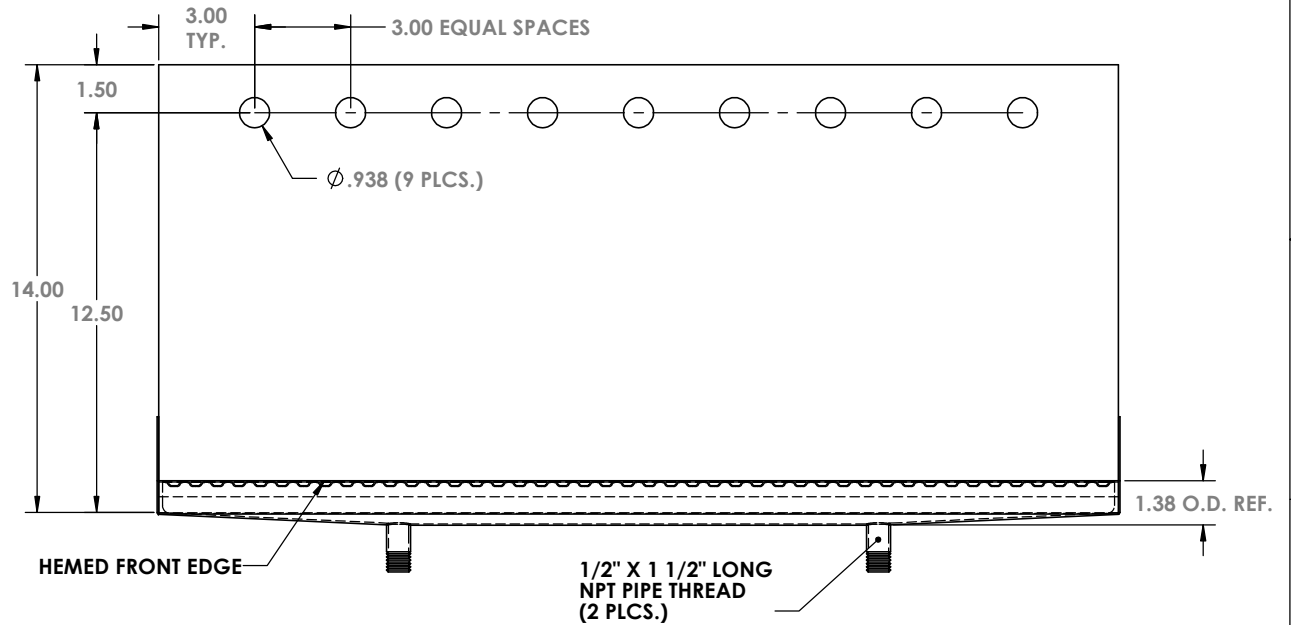
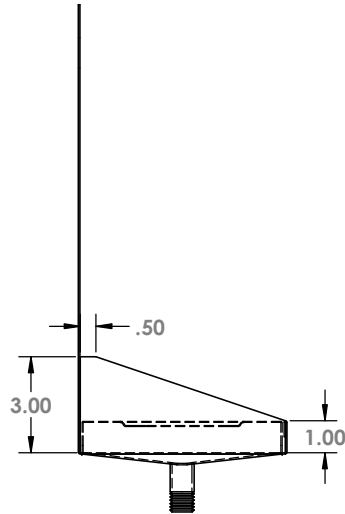
ZONE		REV.	REVISIONS	DATE	APPROVED
			DESCRIPTION		



LOUVER SCREEN  
STANDARD  
(3.50 X .50 ON .50 CENTERS)



CRISS-CROSS FORM  
FOR DRAINAGE



HEMED FRONT EDGE

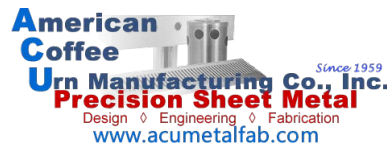
1/2" X 1 1/2" LONG  
NPT PIPE THREAD  
(2 PLCS.)

1.38 O.D. REF.

ALL DIMENSIONS ARE INSIDE DIMENSIONS  
UNLESS OTHERWISE NOTED

MATERIAL : 16 GAUGE BRASS

FINISH : #8 POLISHED ON ALL TYPES



ACU#07403009DD

PROPRIETARY AND CONFIDENTIAL

THE INFORMATION CONTAINED IN THIS DRAWING IS THE SOLE PROPERTY OF ACU PRECISION SHEET METAL. ANY REPRODUCTION IN PART OR AS A WHOLE WITHOUT THE WRITTEN PERMISSION OF ACU PRECISION SHEET METAL IS PROHIBITED.

ACU PRECISION SHEET METAL IS :  
AMERICAN COFFEE URN MANUFACTURING CO., INC

	NAME	DATE	TITLE:
DRAWN	L. WILLIAMS	04/16	
MATERIAL	SEE NOTES		WM-DD 9 HOLE 30" WALL MOUNT TRAY W/DOUBLE DRAIN AMERICAN COFFEE URN
FINISH	SEE NOTES	COMMENTS:	
DO NOT SCALE DRAWING			