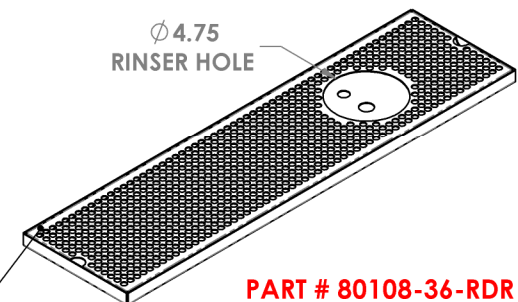
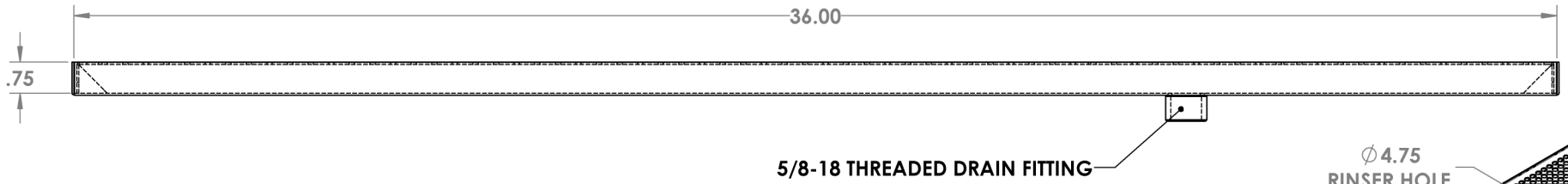


CHANGE DIMENSIONS AS NEEDED FOR CUSTOM TRAYS

ZONE	REV.	REVISIONS		DATE	APPROVED
		DESCRIPTION			

5/8-18 X 3" LONG
 BRASS DRAIN W/HARDWARE



NOTES:

**ALL DIMENSIONS ARE INSIDE DIMENSIONS
 (UNLESS OTHERWISE NOTED)**

PROPRIETARY AND CONFIDENTIAL
 THE INFORMATION CONTAINED IN THIS DRAWING IS THE SOLE PROPERTY OF ACU PRECISION SHEET METAL. ANY REPRODUCTION IN PART OR AS A WHOLE WITHOUT THE WRITTEN PERMISSION OF ACU PRECISION SHEET METAL IS PROHIBITED.
 ACU PRECISION SHEET METAL IS :
 AMERICAN COFFEE URN MANUFACTURING CO., INC

**PERFORATED SCREEN
 (Ø.375 ON .50 CENTERS)
 STANDARD**

	NAME	DATE
DRAWN	L. WILLIAMS	10/16
MATERIAL	18 GA. 304 STAINLESS STEEL	
FINISH	#8 POLISHED	

TITLE:
SM-RDR SURFACE MOUNT W/RIGHT DRAIN & RINSER HOLE 8" X 36"
AMERICAN COFFEE URN

PART # 80108-36-RDR