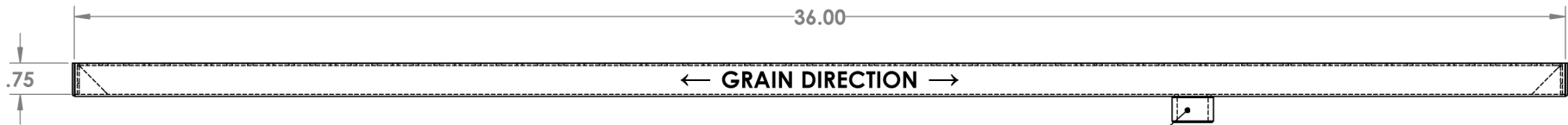
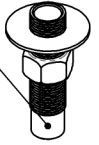


CHANGE DIMENSIONS AS NEEDED FOR CUSTOM TRAYS

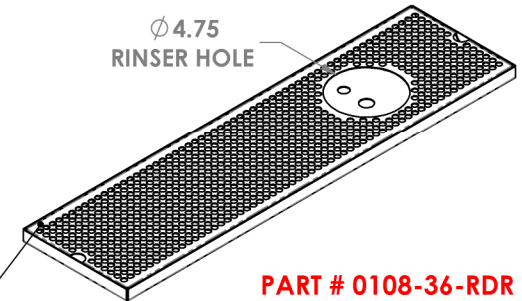
ZONE	REV.	REVISIONS		DATE	APPROVED
		DESCRIPTION			

5/8-18 X 3" LONG
 BRASS DRAIN W/HARDWARE



5/8-18 THREADED DRAIN FITTING

Ø 4.75
 RINSER HOLE



NOTES:

**ALL DIMENSIONS ARE INSIDE DIMENSIONS
 (UNLESS OTHERWISE NOTED)**

PROPRIETARY AND CONFIDENTIAL

THE INFORMATION CONTAINED IN THIS DRAWING IS THE SOLE PROPERTY OF ACU PRECISION SHEET METAL. ANY REPRODUCTION IN PART OR AS A WHOLE WITHOUT THE WRITTEN PERMISSION OF ACU PRECISION SHEET METAL IS PROHIBITED.

ACU PRECISION SHEET METAL IS :
 AMERICAN COFFEE URN MANUFACTURING CO., INC

PERFORATED SCREEN
 (Ø .375 ON .50 CENTERS)
 STANDARD

	NAME	DATE
DRAWN	L. WILLIAMS	10/16
MATERIAL	18 GA. 304 STAINLESS STEEL	
FINISH	#4 BRUSHED	

PART # 0108-36-RDR
SM-RDR
SURFACE MOUNT
W/RIGHT DRAIN & RINSER HOLE
8" X 36"
AMERICAN COFFEE URN