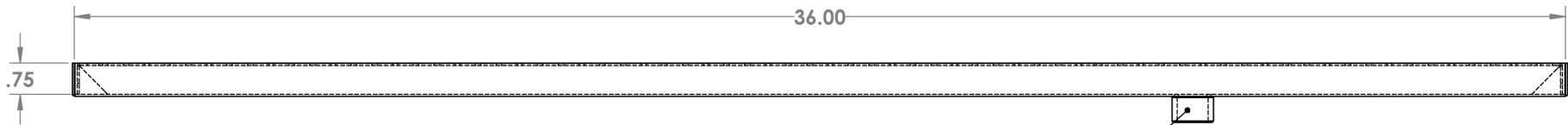
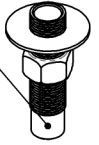


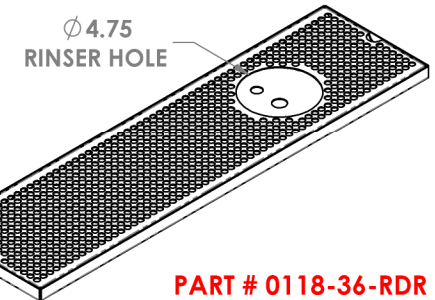
CHANGE DIMENSIONS AS NEEDED FOR CUSTOM TRAYS

DATE	REV.	REVISIONS	
		DESCRIPTION	DATE

5/8-18 X 3" LONG
 BRASS DRAIN W/HARDWARE



5/8-18 THREADED DRAIN FITTING



0.475
 RINSER HOLE

PERFORATED SCREEN
 (0.375 ON .50 CENTERS)
 STANDARD

PART # 0118-36-RDR

NOTES:

**ALL DIMENSIONS ARE INSIDE DIMENSIONS
 (UNLESS OTHERWISE NOTED)**

PROPRIETARY AND CONFIDENTIAL
 THE INFORMATION CONTAINED IN THIS
 DRAWING IS THE SOLE PROPERTY OF
 ACU PRECISION SHEET METAL. ANY
 REPRODUCTION IN PART OR AS A WHOLE
 WITHOUT THE WRITTEN PERMISSION OF
 ACU PRECISION SHEET METAL IS
 PROHIBITED.
 ACU PRECISION SHEET METAL IS :
 AMERICAN COFFEE URN MANUFACTURING CO., INC

	NAME	DATE
DRAWN	L. WILLIAMS	10/16
MATERIAL	16 GA. BRASS	
FINISH	#8 POLISHED	

TITLE:
SM-RDR SURFACE MOUNT W/RIGHT DRAIN & RINSER HOLE 8" X 36"
AMERICAN COFFEE URN