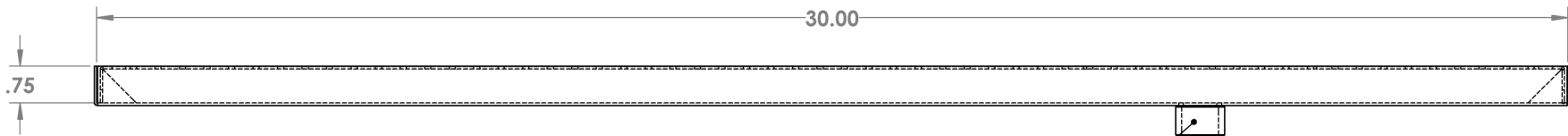
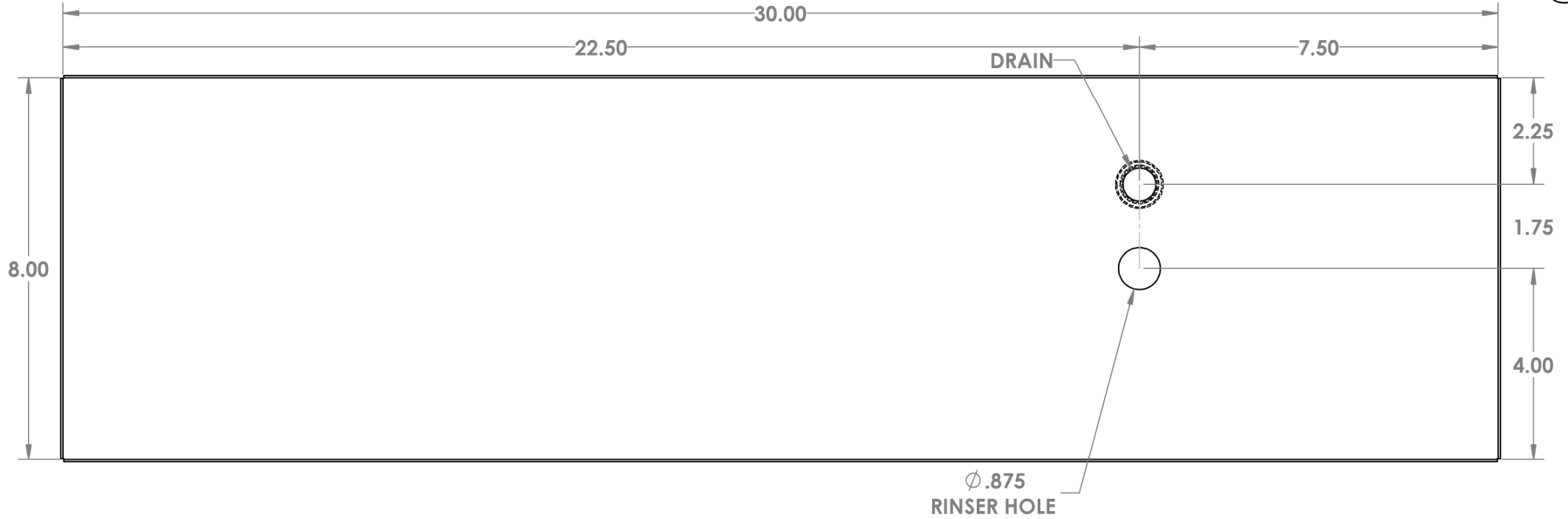
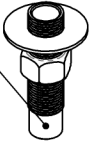


**CHANGE DIMENSIONS AS NEEDED FOR CUSTOM TRAYS**

REV. NO.		REVISIONS	DATE	APPROVED
DATE	DESCRIPTION			

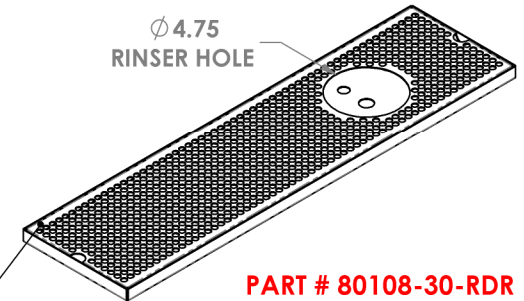
**Precision Sheet Metal**  
 Design ♦ Engineering ♦ Fabrication  
 www.acumetalfab.com

5/8-18 X 3" LONG  
 BRASS DRAIN W/HARDWARE



5/8-18 THREADED DRAIN FITTING

Ø4.75  
 RINSER HOLE



**PART # 80108-30-RDR**

**NOTES:**

ALL DIMENSIONS ARE INSIDE DIMENSIONS  
 (UNLESS OTHERWISE NOTED)

www.acumetalfab.com

PROPRIETARY AND CONFIDENTIAL

THE INFORMATION CONTAINED IN THIS DRAWING IS THE SOLE PROPERTY OF ACU PRECISION SHEET METAL. ANY REPRODUCTION IN PART OR AS A WHOLE WITHOUT THE WRITTEN PERMISSION OF ACU PRECISION SHEET METAL IS PROHIBITED.

ACU PRECISION SHEET METAL IS :  
 AMERICAN COFFEE URN MANUFACTURING CO., INC

PERFORATED SCREEN  
 (Ø.375 ON .50 CENTERS)  
 STANDARD

	NAME	DATE
DRAWN	L. WILLIAMS	10/16
MATERIAL	18 GA. 304 STAINLESS STEEL	
FINISH	#8 POLISHED	

TITLE:
<b>SM-RDR                  SURFACE MOUNT                  W/RIGHT DRAIN &amp; RINSER HOLE                  8" X 30"</b>
<b>AMERICAN COFFEE URN</b>

DO NOT SCALE DRAWING