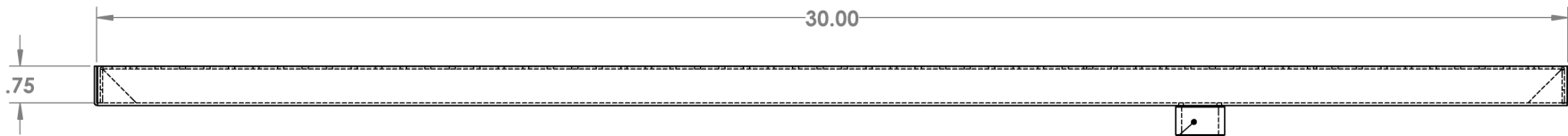
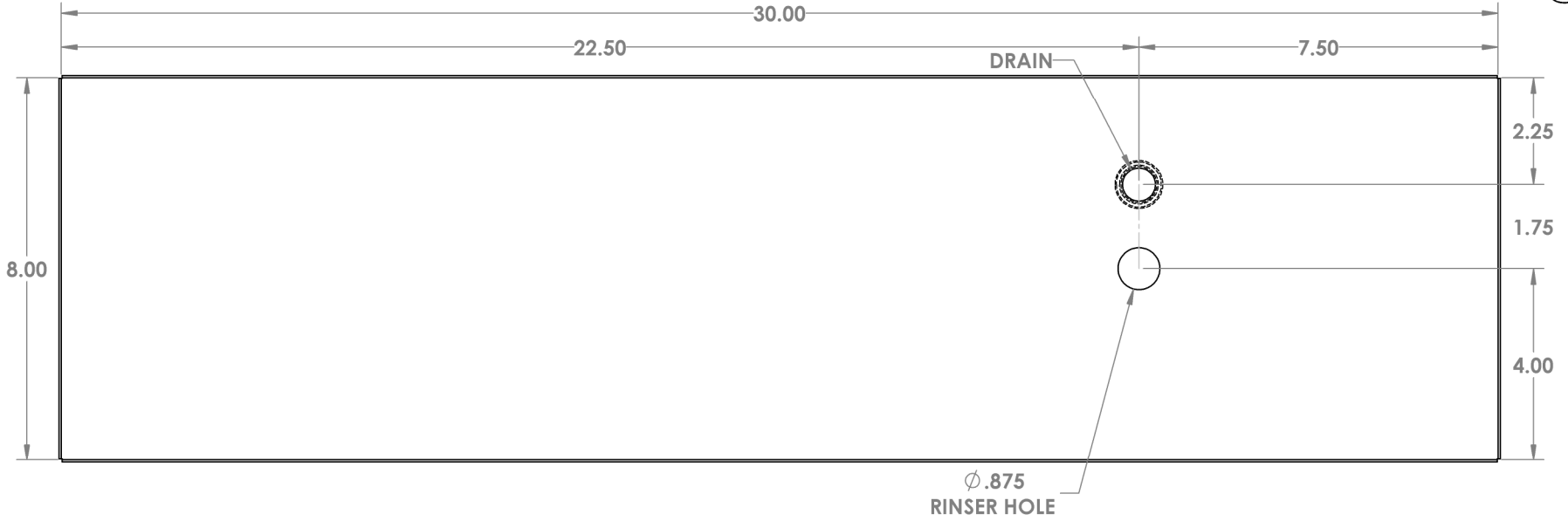
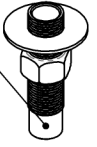


CHANGE DIMENSIONS AS NEEDED FOR CUSTOM TRAYS

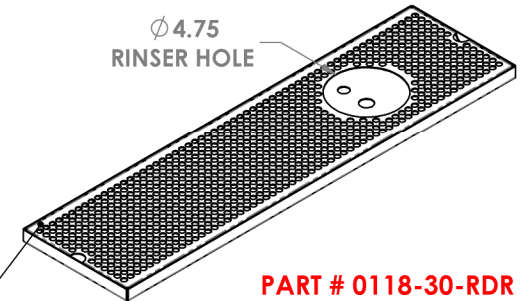
ZONE	REV.	REVISIONS		DATE	APPROVED
		DESCRIPTION			

5/8-18 X 3" LONG
 BRASS DRAIN W/HARDWARE



5/8-18 THREADED DRAIN FITTING

Ø 4.75
 RINSER HOLE



NOTES:

ALL DIMENSIONS ARE INSIDE DIMENSIONS
 (UNLESS OTHERWISE NOTED)

PROPRIETARY AND CONFIDENTIAL

THE INFORMATION CONTAINED IN THIS DRAWING IS THE SOLE PROPERTY OF ACU PRECISION SHEET METAL. ANY REPRODUCTION IN PART OR AS A WHOLE WITHOUT THE WRITTEN PERMISSION OF ACU PRECISION SHEET METAL IS PROHIBITED.

ACU PRECISION SHEET METAL IS :
 AMERICAN COFFEE URN MANUFACTURING CO., INC

PERFORATED SCREEN
 (Ø .375 ON .50 CENTERS)
 STANDARD

	NAME	DATE
DRAWN	L. WILLIAMS	10/16
MATERIAL	16 GA. BRASS	
FINISH	#8 POLISHED	

TITLE:
SM-RDR SURFACE MOUNT W/RIGHT DRAIN & RINSER HOLE 8" X 30"
AMERICAN COFFEE URN

PART # 0118-30-RDR