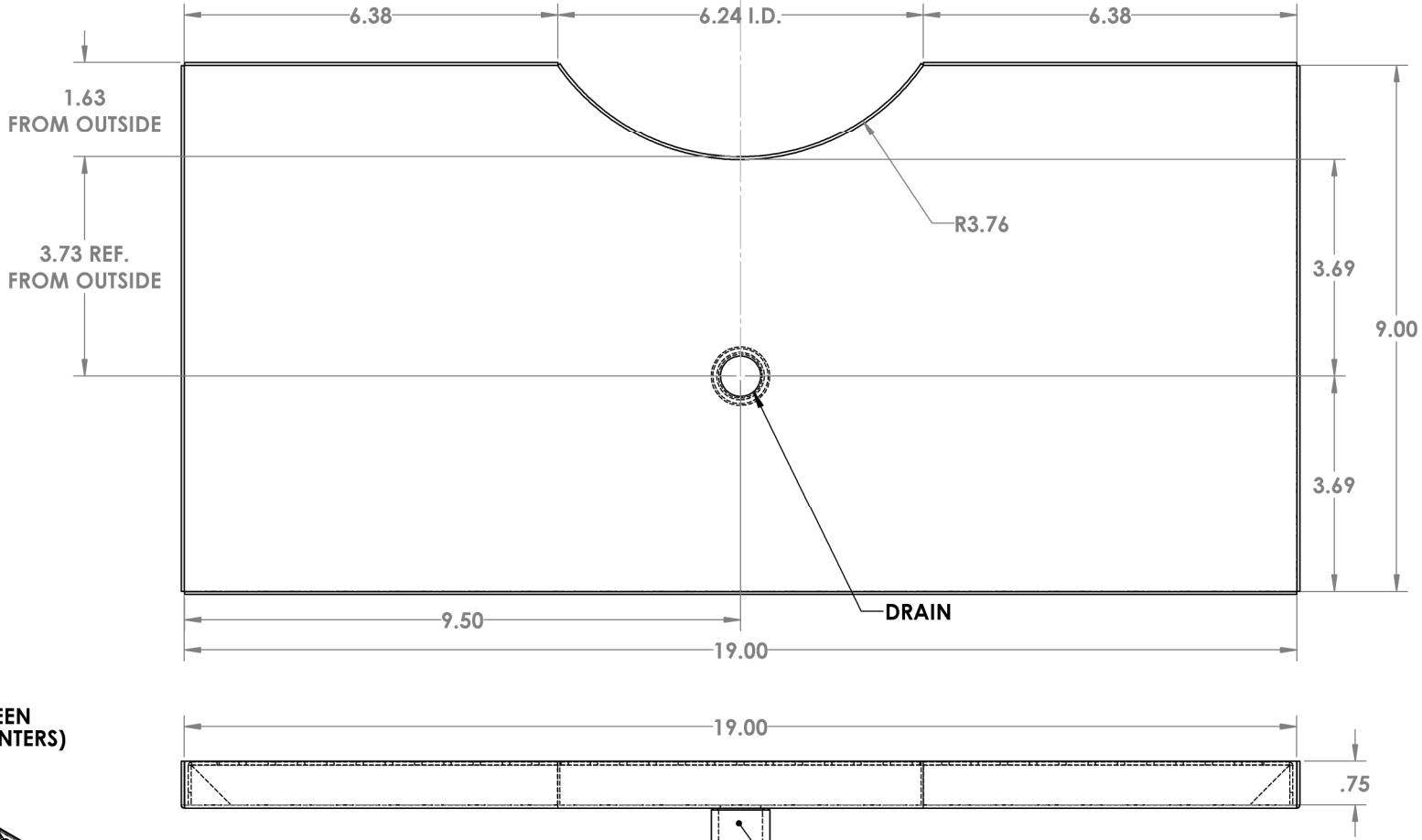
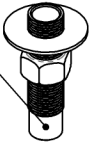


**CHANGE DIMENSIONS AS NEEDED FOR CUSTOM TRAYS**

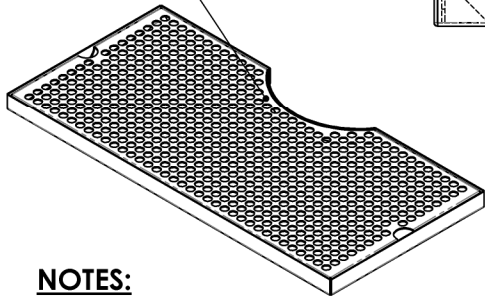
REV. NO.		REVISIONS	DATE	APPROVED
DATE	DESCRIPTION			

**Precision Sheet Metal**  
 Design ♦ Engineering ♦ Fabrication  
[www.acumetalfab.com](http://www.acumetalfab.com)

5/8-18 X 3" LONG  
 BRASS DRAIN W/HARDWARE



PERFORATED SCREEN  
 (Ø .375 ON .50 CENTERS)  
 STANDARD



5/8-18 THREADED DRAIN FITTING

**NOTES:**

ALL DIMENSIONS ARE INSIDE DIMENSIONS  
 (UNLESS OTHERWISE NOTED)

**PART # 80755-19**

PROPRIETARY AND CONFIDENTIAL

THE INFORMATION CONTAINED IN THIS DRAWING IS THE SOLE PROPERTY OF ACU PRECISION SHEET METAL. ANY REPRODUCTION IN PART OR AS A WHOLE WITHOUT THE WRITTEN PERMISSION OF ACU PRECISION SHEET METAL IS PROHIBITED.

ACU PRECISION SHEET METAL IS:  
 AMERICAN COFFEE URN MANUFACTURING CO., INC

	NAME	DATE
DRAWN	L. WILLIAMS	11/16
MATERIAL	18 GA. 304 STAINLESS STEEL	
FINISH	#8 POLISHED	

TITLE:
<b>SM-D                  SURFACE MOUNT W/DRAIN                  9" X 19"                  LARGE MUSHROOM TOWER                  AMERICAN COFFEE URN</b>