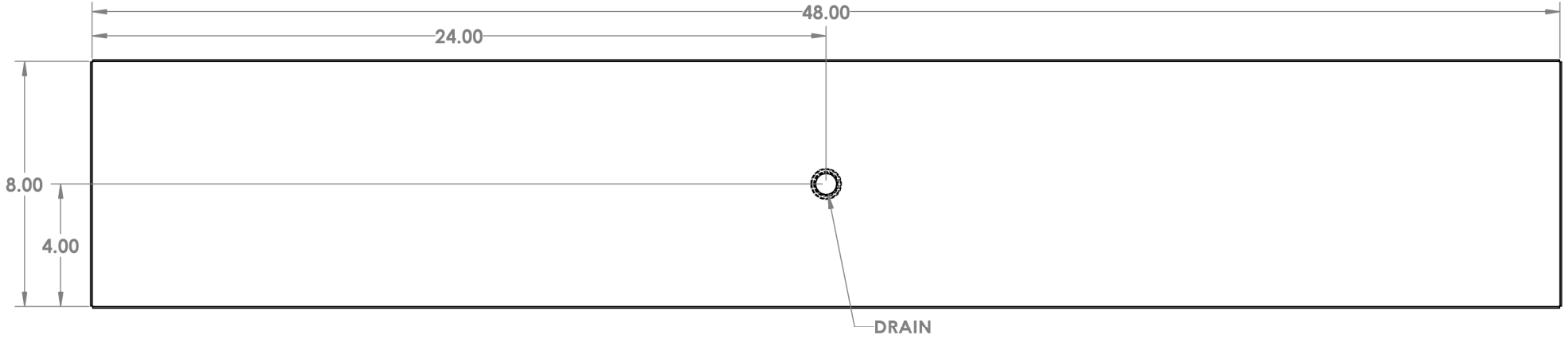
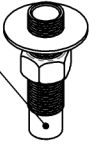


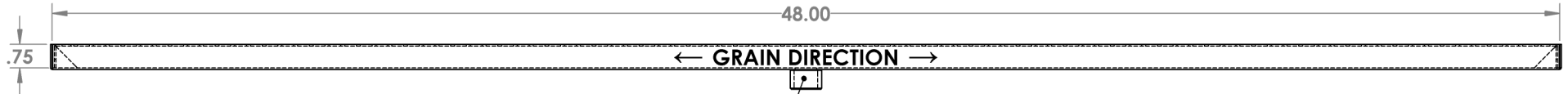
CHANGE DIMENSIONS AS NEEDED FOR CUSTOM TRAYS

		REVISIONS	
LINE	REV.	DESCRIPTION	DATE

5/8-18 X 3" LONG
 BRASS DRAIN W/HARDWARE



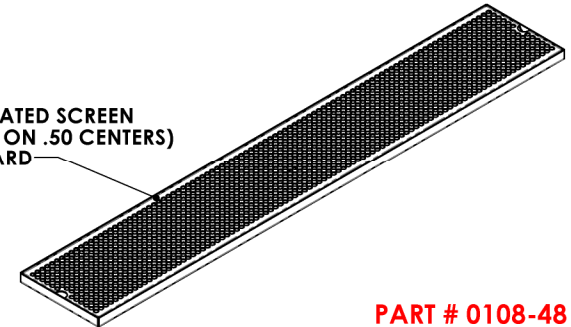
DRAIN



← GRAIN DIRECTION →

5/8-18 THREADED DRAIN FITTING

PERFORATED SCREEN
 (Ø .375 ON .50 CENTERS)
 STANDARD



PART # 0108-48

NOTES:
 ALL DIMENSIONS ARE INSIDE DIMENSIONS
 (UNLESS OTHERWISE NOTED)

PROPRIETARY AND CONFIDENTIAL
 THE INFORMATION CONTAINED IN THIS DRAWING IS THE SOLE PROPERTY OF ACU PRECISION SHEET METAL. ANY REPRODUCTION IN PART OR AS A WHOLE WITHOUT THE WRITTEN PERMISSION OF ACU PRECISION SHEET METAL IS PROHIBITED.
 ACU PRECISION SHEET METAL IS :
 AMERICAN COFFEE URN MANUFACTURING CO., INC

	NAME	DATE	TITLE:
DRAWN	L. WILLIAMS	10/16	SM-D SURFACE MOUNT W/DRAIN 8" X 48"
MATERIAL	18 GA. 304 STAINLESS STEEL		
FINISH	#4 BRUSHED		
			AMERICAN COFFEE URN